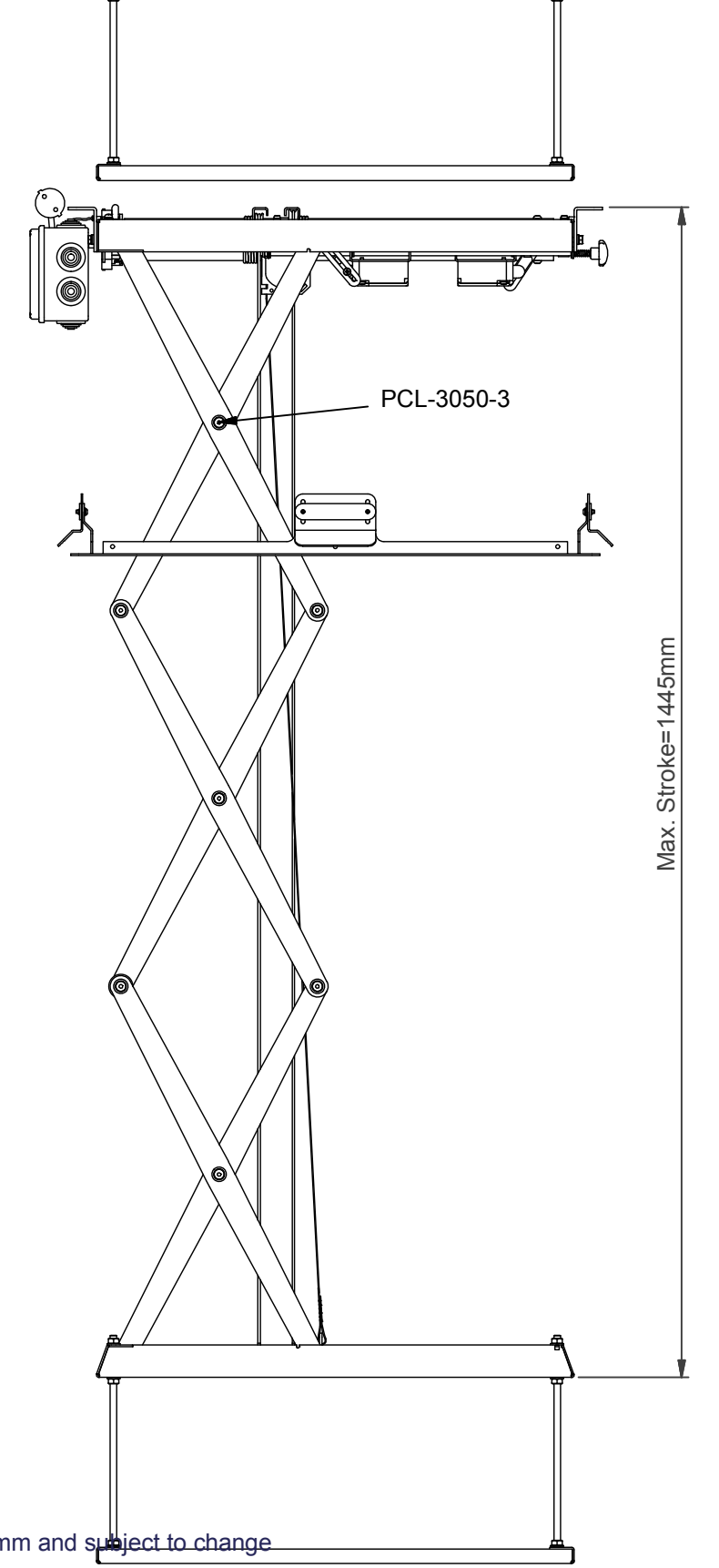
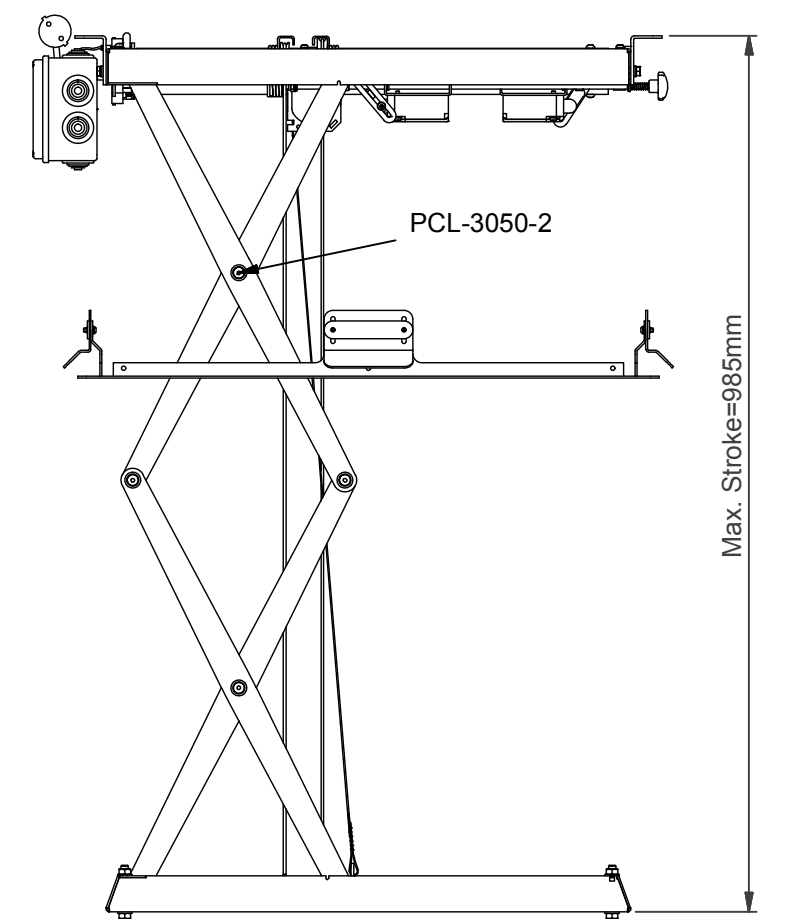
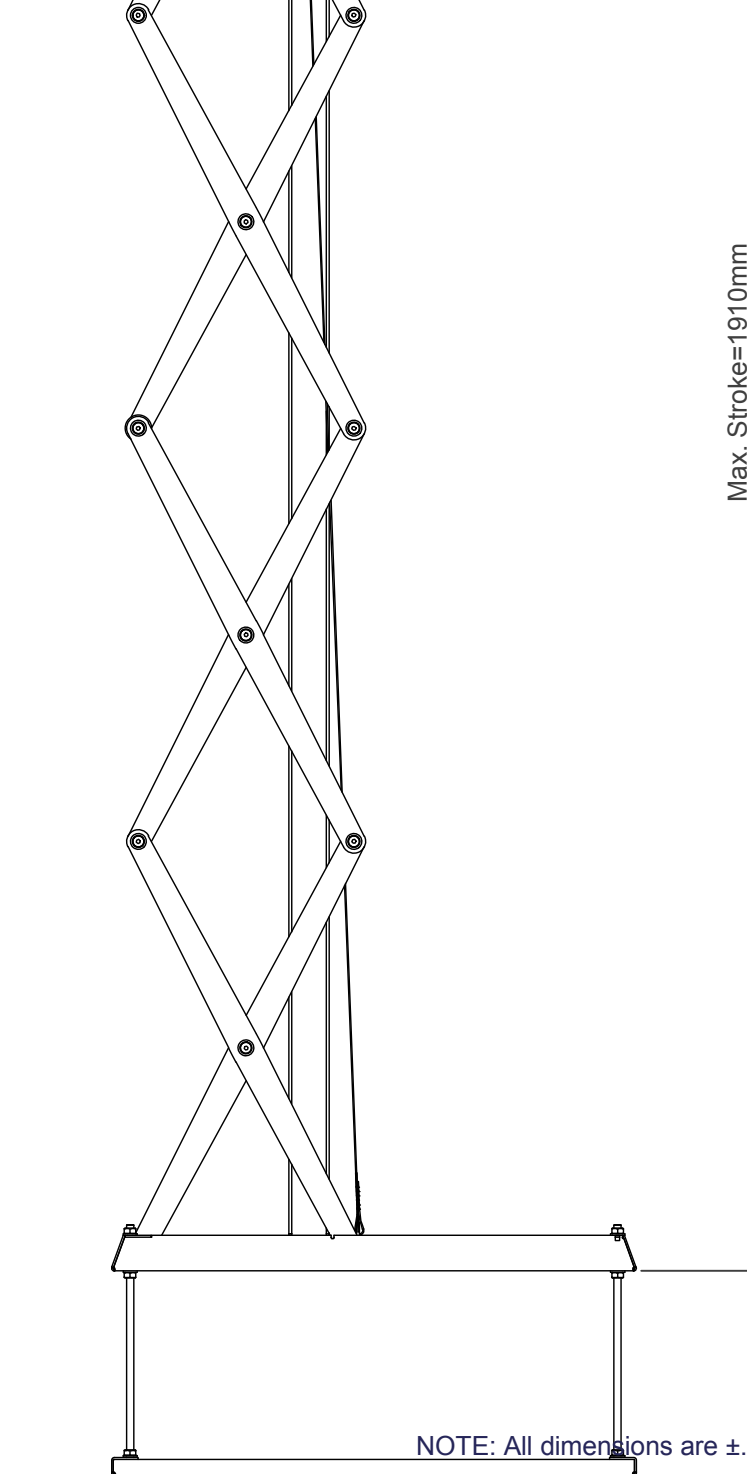
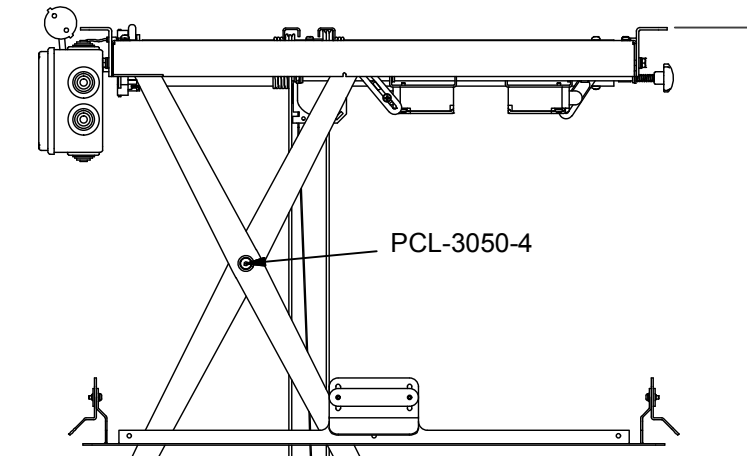
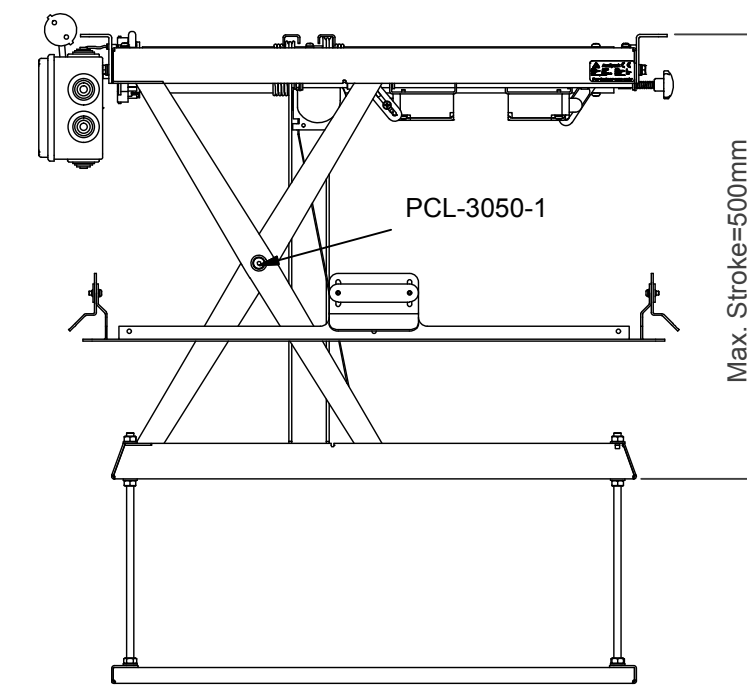


Construction Height


Depending on projector Height



NOTE: All dimensions are ±..., in mm and subject to change

PCL-3050	Number of Scissors	Overall Stroke	Construction Height	Weight
PCL-3050-1	1	500 mm	115 mm	? kg.
PCL-3050-2	2	985 mm	155 mm	? kg.
PCL-3050-3	3	1445 mm	200 mm	? kg.
PCL-3050-4	4	1910 mm	240 mm	? kg.

Dimensions are indications, not to be used for any preparations. No rights can be derived from the above dimensions.

<p>© COPYRIGHT AUDIPACK This print and the information shown thereon, is the property of AUDIPACK. It may not be delivered to others nor reproduced for general circulation without the written consent of the AUDIPACK engineering department.</p>	 <p>AUDIPACK Industriestraat 2-4 2751 GT Moerkapelle the Netherlands Tel: +31(0)795931671 Fax: +31(0)795933115 www.audipack.com</p>
<p>PRESENTATION</p>	

PCL-3050 Projector Ceiling Lift 3050 SYSTEM