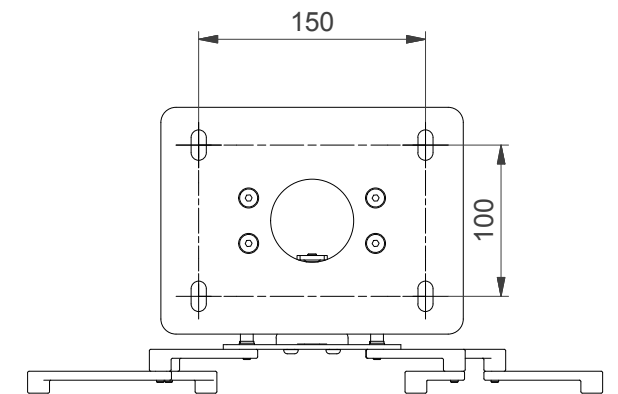
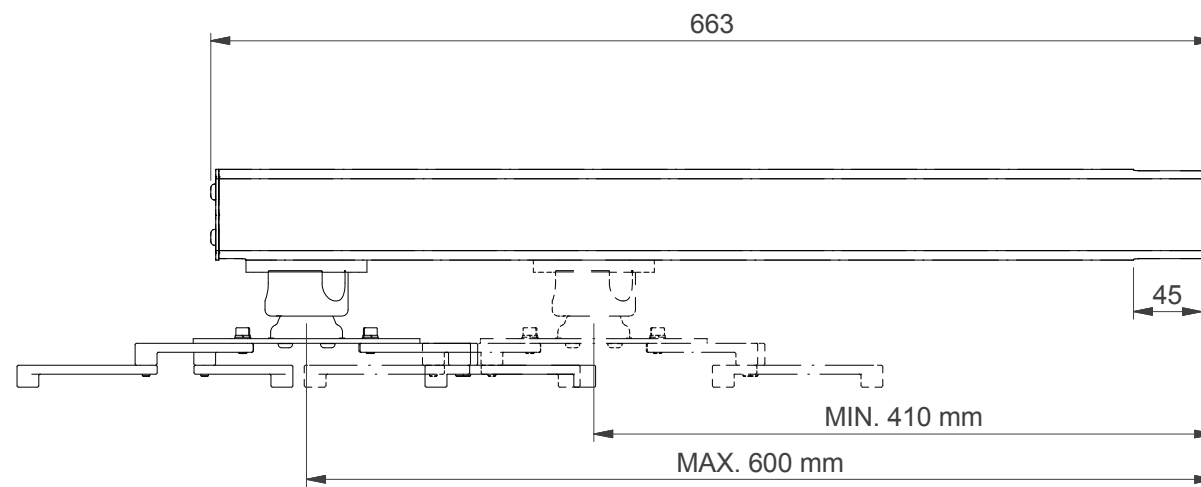
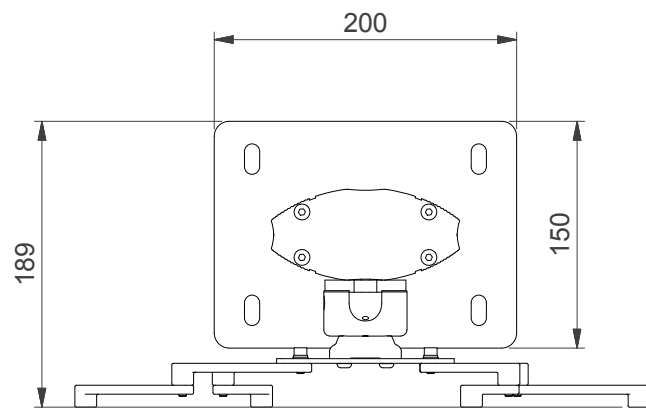


MODEL	Max. Length	Min. Length	Max. Load (Kg)
PWM-ST0600	600	410	20
PWM-ST1200	1200	1010	20
PWM-ST0800T	800	471	20
PWM-ST1500T	1500	821	10
PWM-ST1800T	1800	971	10



NOTE: All dimensions are \pm ..., in mm and subject to change

© COPYRIGHT AUDIPACK
 This print and the information shown thereon, is the property of AUDIPACK.
 It may not be delivered to others nor reproduced for general circulation without the written consent of the AUDIPACK engineering department.



AUDIPACK
 Industriestraat 2-4
 2751 GT Moerkapelle
 the Netherlands
 Tel: +31(0)795931671
 Fax: +31(0)795933115
 www.audipack.com

PRESENTATION

PWM-ST
 600 PROJECTOR WALL MOUNT

Dimensions are indications, not to be used for any preparations. No rights can be derived from the above dimensions.