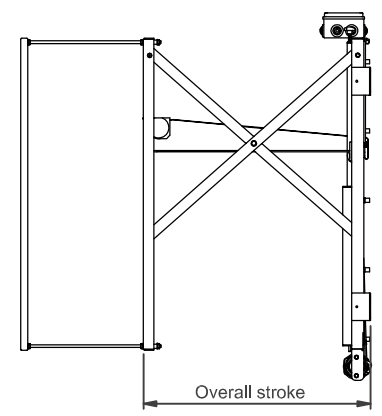
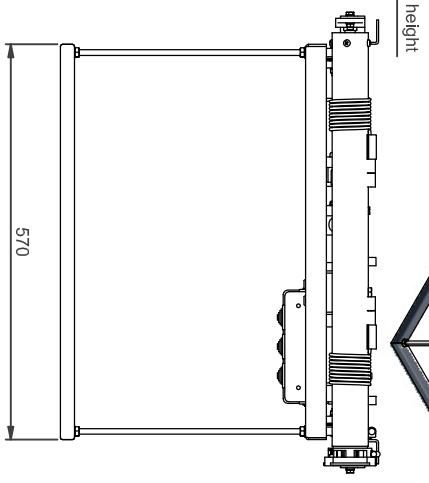
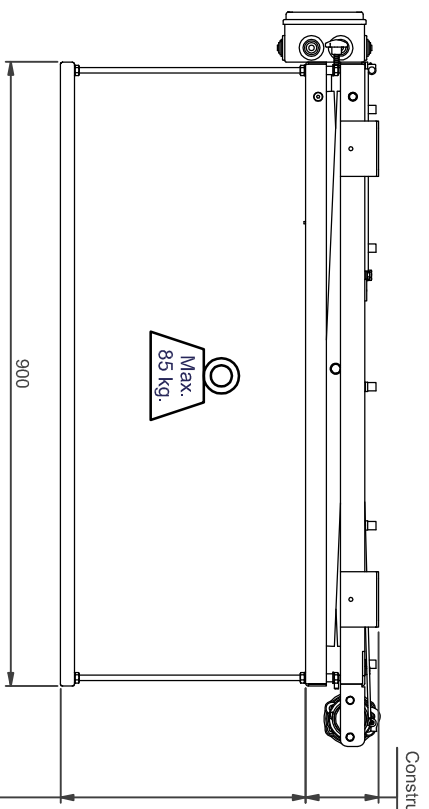
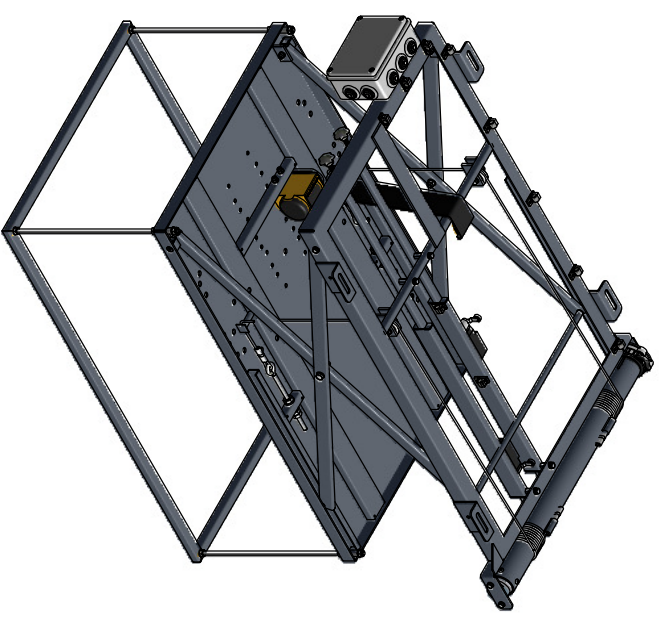
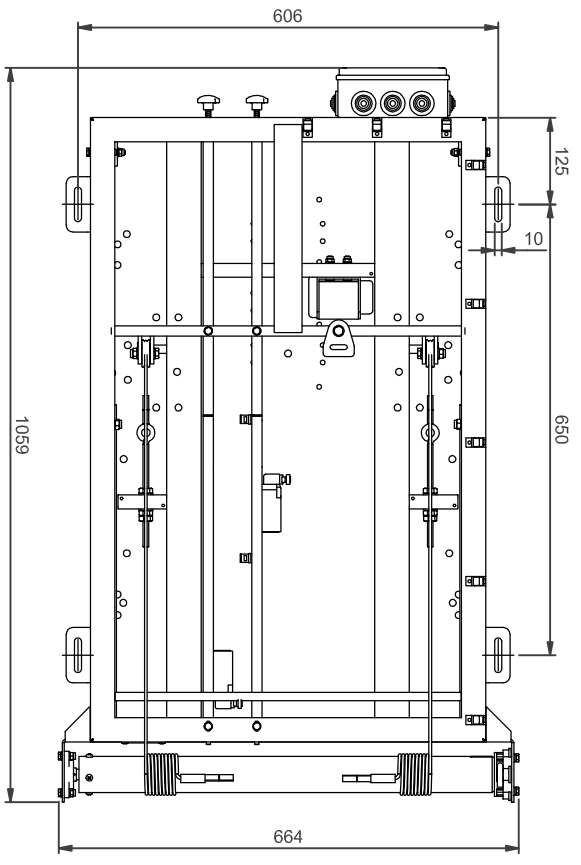



NOTE: Keep min. 200mm service-space around the system



NOTE: All dimensions are f..... in mm and subject to change

Ref.	Number of scissors	Overall stroke	Construction height	Weight
P1982	1	675 mm	110 mm	44 kg
P3610	2	1200 mm	165 mm	45 kg

Dimensions are indications, not to be used for any preparations. No rights can be derived from the above dimensions.

<p>© COPYRIGHT AUDIPACK This print and the information shown thereon, is the property of AUDIPACK. It may not be delivered to others nor reproduced for general circulation without the written consent of the AUDIPACK engineering department.</p>	 <p>AUDIPACK Industriestraat 2-4 2751 GT Moerkapelle the Netherlands Tel: +31(0)795931671 Fax: +31(0)795933115 www.audipack.com</p>
PRESENTATION	CEILING LIFT 1060