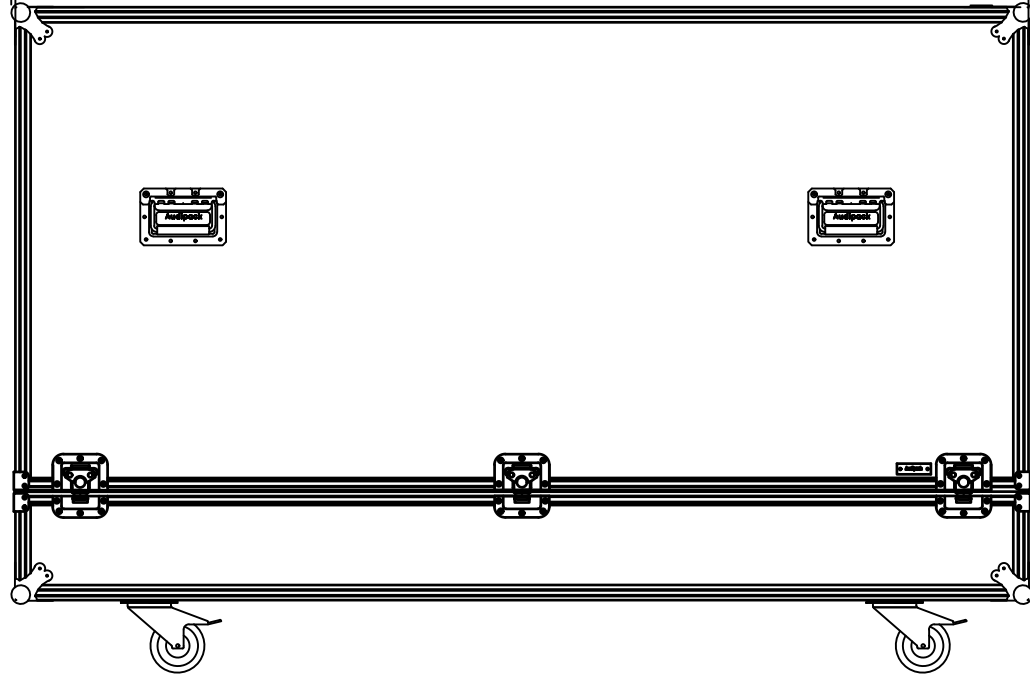
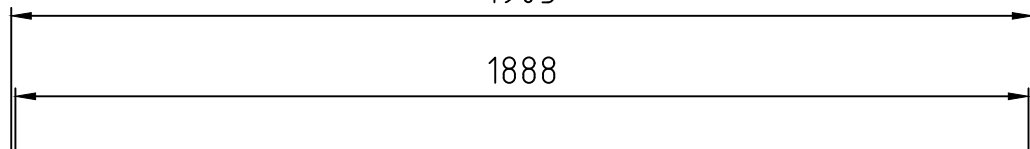


1 | 2 | 3 | 4 | 5 | 6

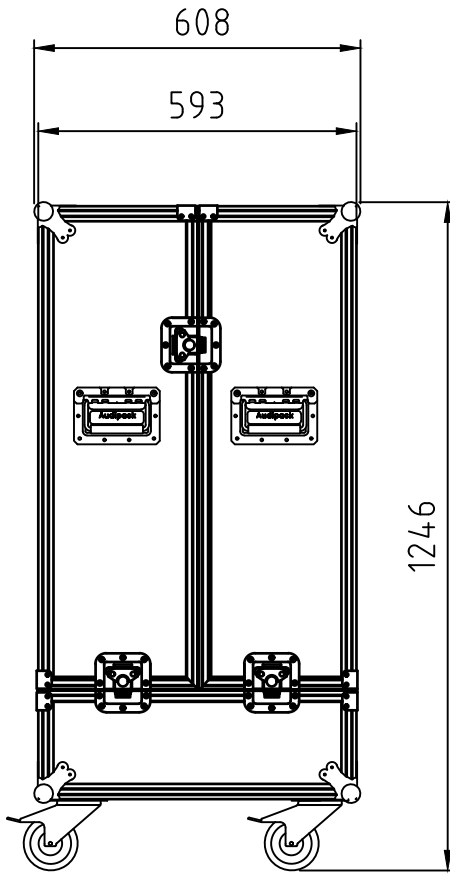


1903


1888



Max. screen dimensions W1720 x H1025 x D150 mm
 Screens installed with optional UFPRO mount
 Incl. accessorie compartment
 Detachebale top lids
 8 grips
 4 x 100 mm lockeable wheels



1 | 2 | 3 | 4 | 5 | 6

 AUDIPACK <small>Industriestraat 2 2251 GT Hoerakapelle the Netherlands tel. +31(0)795931671 fax. +31(0)795933115 www.audipack.com</small>	Material: Treatment:	TOLERANCES, UNLESS NOTED OTHERWISE: ISO 2768-m
	Name: Julian Date: 05-07-2021 Drawn by: Checked by: Appr. by:	Sheet: 1 of 1 Scale: 1:15 Format: A4
<small>© COPYRIGHT AUDIPACK This print and the information shown thereon, is the property of AUDIPACK. If any not be delivered to others nor reproduced for general circulation without the written consent of the AUDIPACK engineering department</small>	Description: Universal flightcase up to 2 x 75" 2 screens	Part Number: FCFP-7075DW

A
B
C
D

A
B
C
D