

1 | 2 | 3 | 4 | 5 | 6

A

B

C

D

A

B

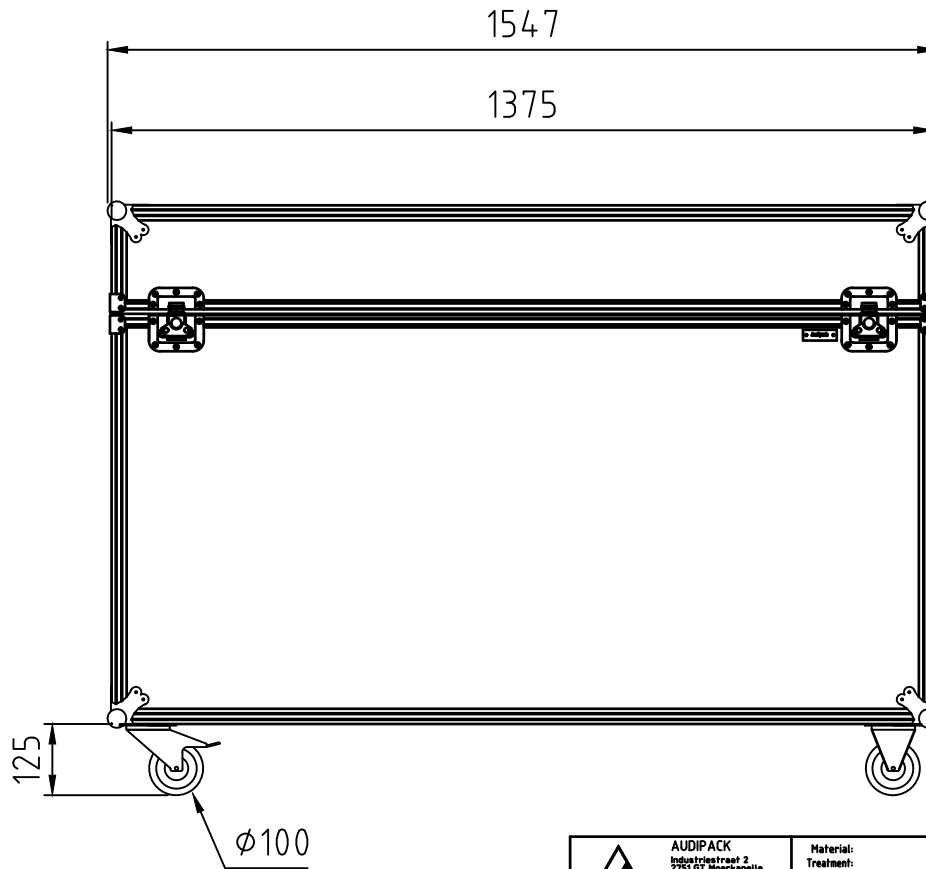
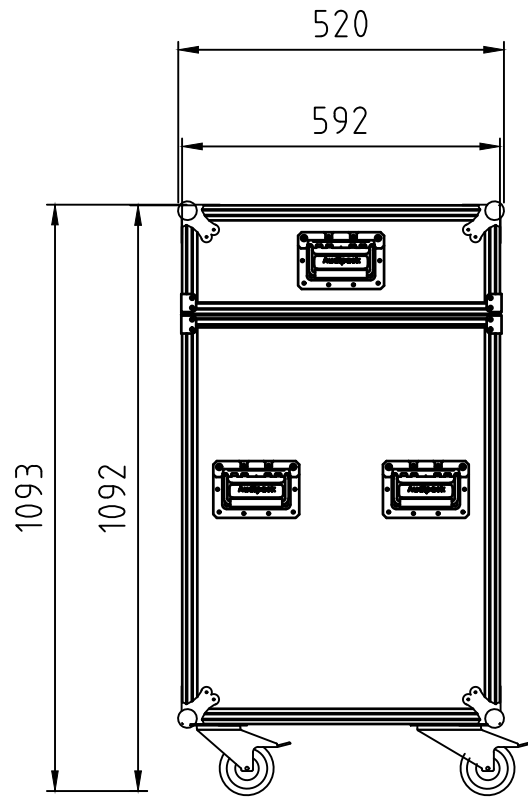
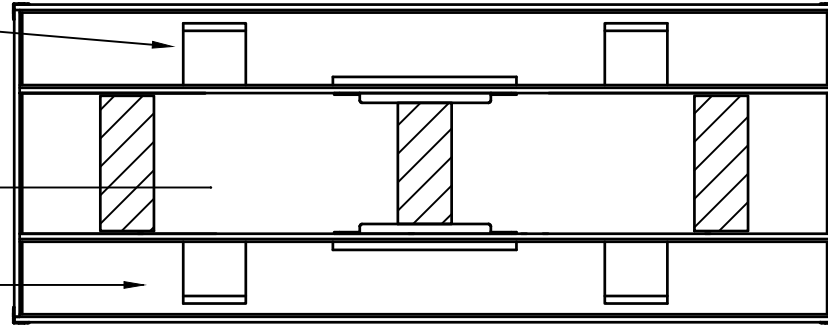
C

D


Accessorie compartment

Screen compartment

Floor stand compartment



Max. screen dimensions W1470 x H850 x D110 mm (excl. monitor bracket)
 Installed with optional UFPRO mount
 Incl. floor stand and accessorie compartment
 Detachebale top lid
 6 grips
 2 x 100 mm lockeable wheels

| | | |
|--|--|---|
|  AUDIPACK Industriestraat 2 2721 GT Hoerckapelle The Netherlands tel. +31(0)795931671 fax. +31(0)795933115 www.Audipack.com | Material: Treatment: | TOLERANCES, UNLESS NOTED OTHERWISE: ISO 2768-m |
| | Name: Julian Date: 25-05-2023 Drawn by: Checked by: Appr. by: | Sheet: 1 of 1 Scale: 1:15 Format: A4 |
| © COPYRIGHT AUDIPACK This print and the information shown thereon, is the property of AUDIPACK. If any not be delivered to others nor reproduced for general circulation without the written consent of the AUDIPACK engineering department. | Description: Universal flightcase up to aprox 2 x 65" Fly. | Part Number: FCFS-6065DW |

1 | 2 | 3 | 4 | 5 | 6