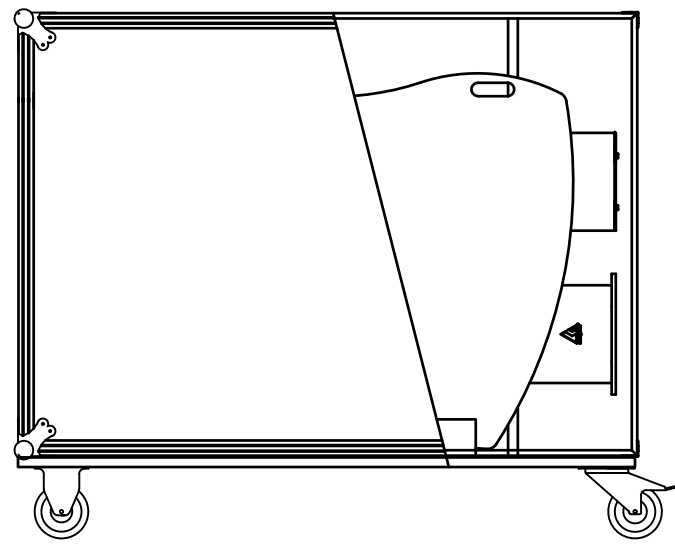


1 | 2 | 3 | 4 | 5 | 6

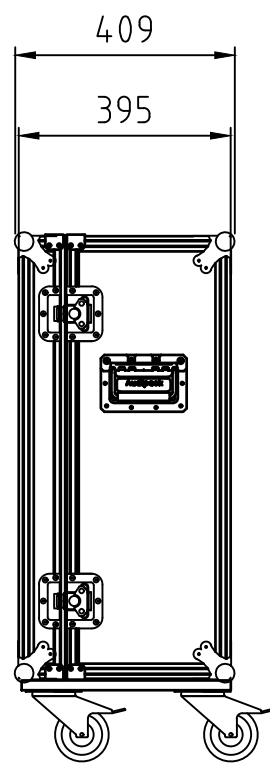


Front loader flightcase for 390942 floor stand.
 Removable lid
 Internal rack for columns + 390951 mounting head.
 Vertical storage floor plate
 2 x swivel / lockeable castors
 2 grips

A
B

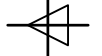
A
B

1153

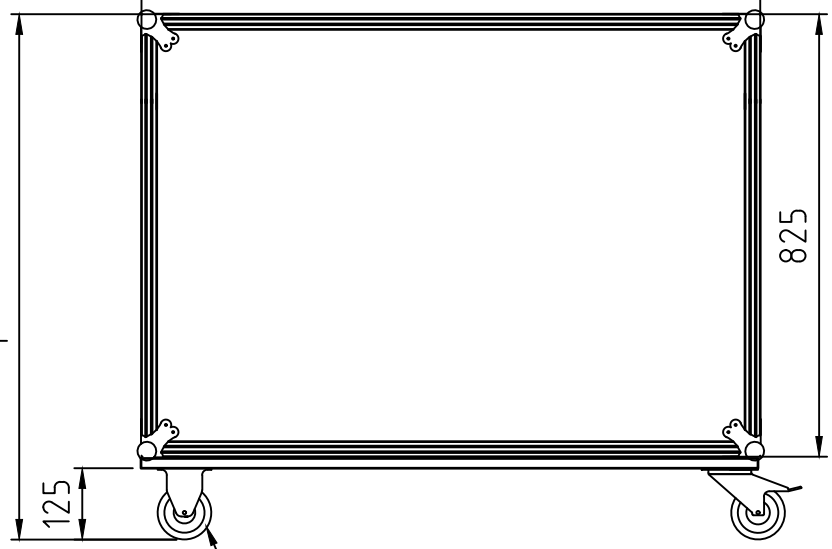


409

395



aprox. 975




125

825

Ø100

1 | 2 | 3 | 4 | 5 | 6

 AUDIPACK Industriestraat 2 2723 GT Hoerhaghele The Netherlands tel. +31(0)795931671 fax. +31(0)795933115 www.audipack.com	Material: Treatment:	TOLERANCES, UNLESS NOTED OTHERWISE: ISO 2768-m
	Drawn by: Name: Julian Date: 19-10-2020 Checked by: Appr. by:	Sheet: 1 of 1 Scale: 1:15 Format: A4
Description: 390942 flightcase		Part Number: FCFS-900XLF

C
D