

1 2 3 4 5 6

A

B

C

D

A

B

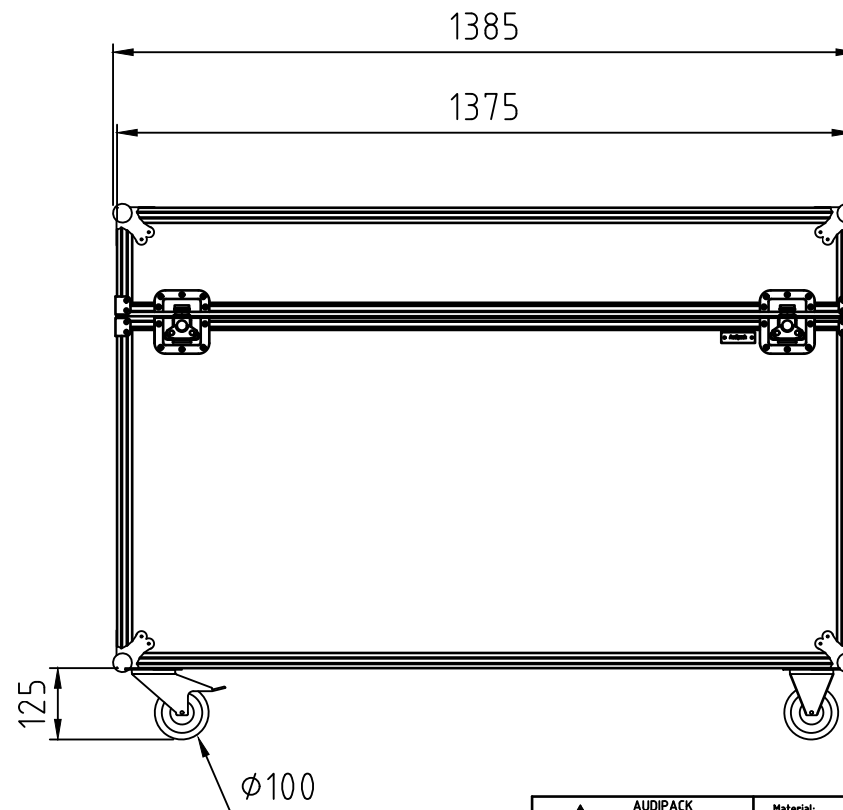
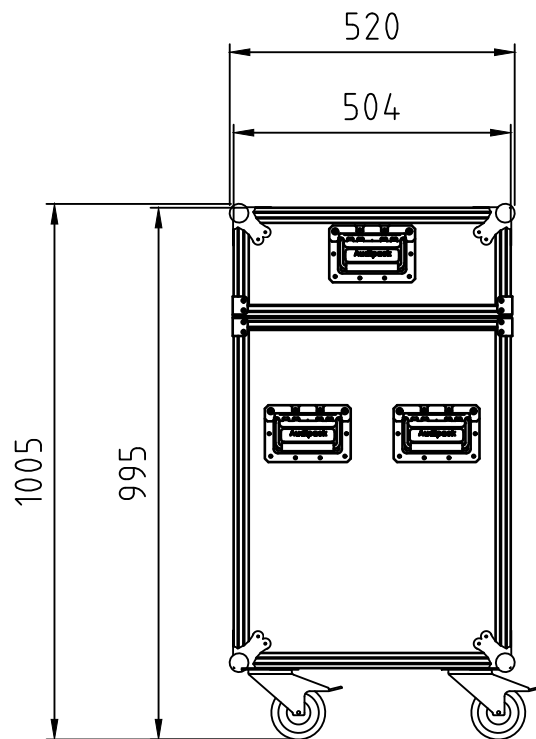
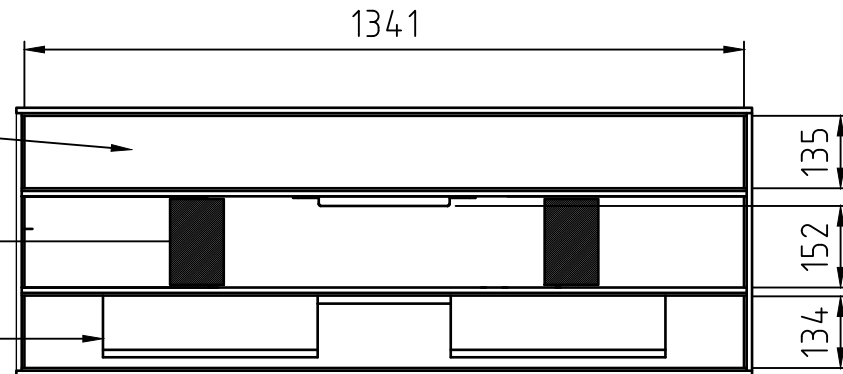
C

D


Accessorie compartment

Screen compartment

Floor stand compartment



Max. screen dimensions W1310 x H745 x D110 mm (excl. monitor bracket)
 Installed with optional UFFPRO mount
 Incl. floor stand and accessorie compartment
 Detachebale top lid
 6 grips
 2 x 100 mm lockeable wheels

 AUDIPACK Industriestraat 2 2221 GT Hoeragelapelle The Netherlands Tel. +31(0)1795931671 Fax. +31(0)179593115 www.Audipack.com	Material: Treatment:	TOLERANCES, UNLESS NOTED OTHERWISE: ISO 2768-m
	Name: Julian Date: 19-10-2020 Drawn by: Checked by: Appr. by:	Sheet: 1 of 1 Scale: 1:15 Format: A4
© COPYRIGHT AUDIPACK This print and the information shown thereon, is the property of AUDIPACK. If any not be delivered to others nor reproduced for general circulation without the written consent of the AUDIPACK engineering department.	Description: Universal flightcase up to 55"	Part Number: FCFS-5255W

1 2 3 4 5 6