

1 2 3 4 5 6

A

B

C

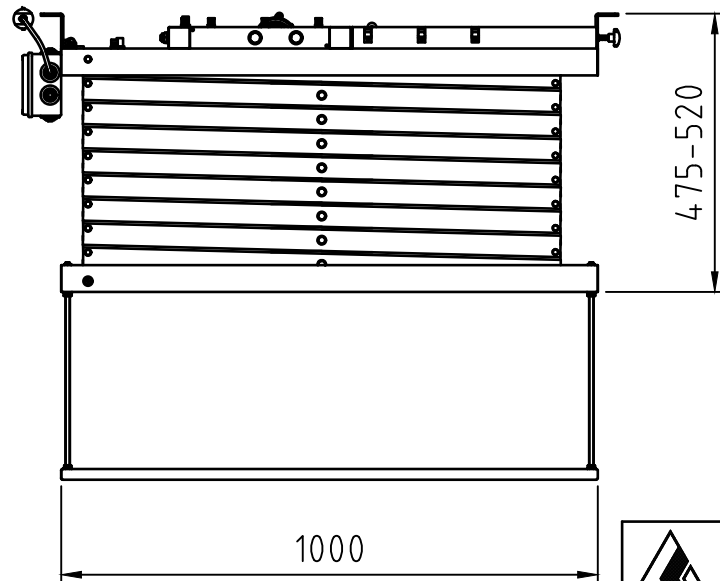
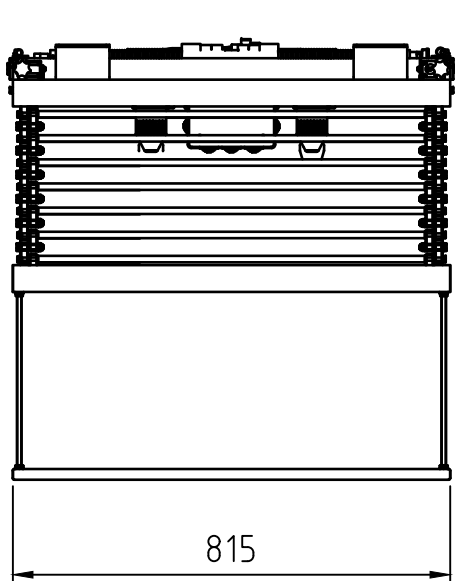
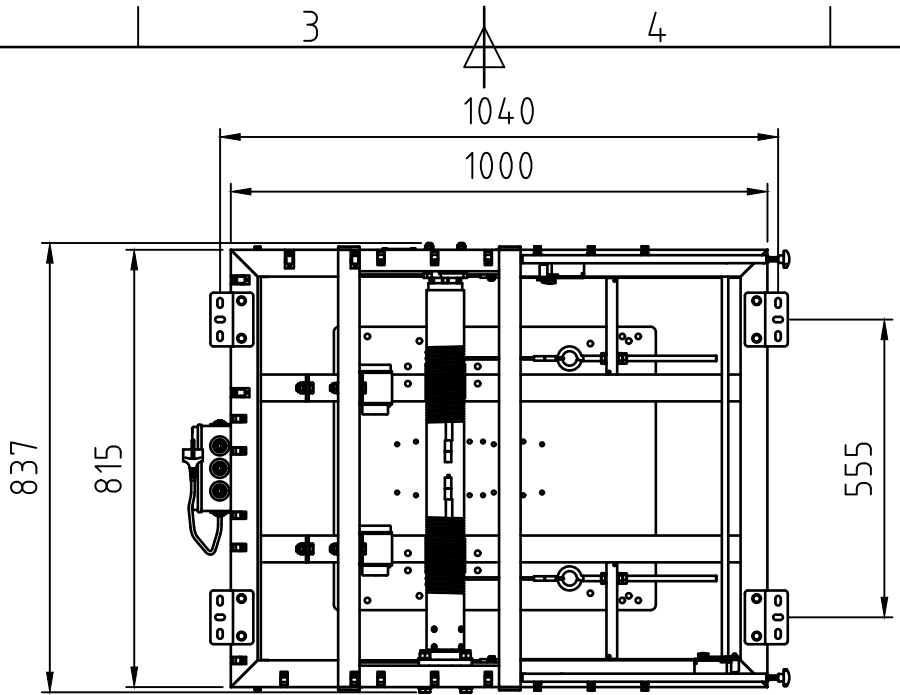
D

A


B

C

D



1090 based ceiling lift.
With modified motor drum & safety device

 AUDIPACK <small>Industriestraat 2 5251 GT Hoerakapelle The Netherlands tel. +31(0)795931671 fax. +31(0)79593115 www.Audipack.com</small>	Material: Treatment:	TOLERANCES, UNLESS NOTED OTHERWISE: ISO 2768-m
	Drawn by: Name: Julian Date: 10-05-2020 Checked by: Appr. by:	Sheet: 1 of: 1 Scale: 1:15 Format: A4
© COPYRIGHT AUDIPACK This print and the information shown thereon, is the property of AUDIPACK. If any part is delivered to others nor reproduced for general circulation without the written consent of the AUDIPACK engineering department.	Description: 1090 9-stroke model	Part Number: P8052

1 2 3 4 5 6