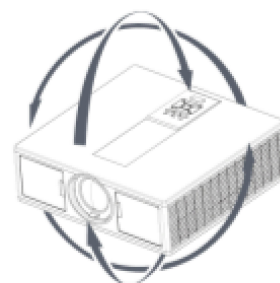
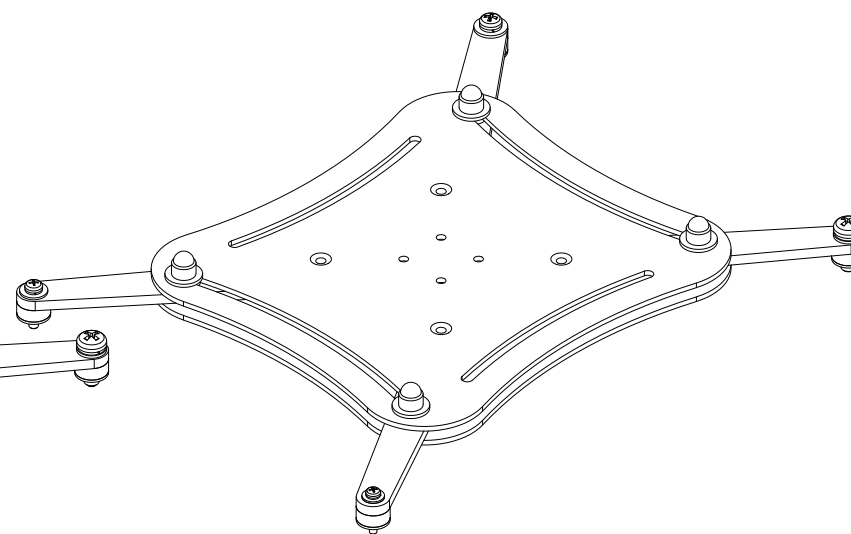
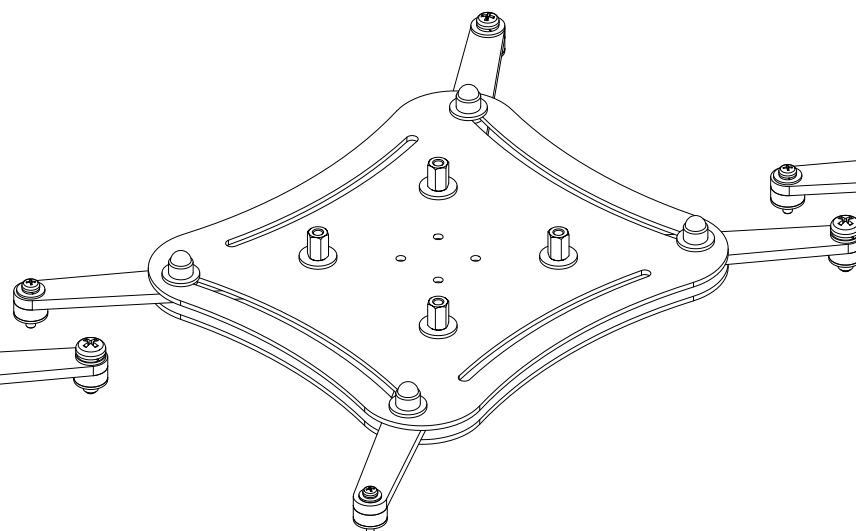
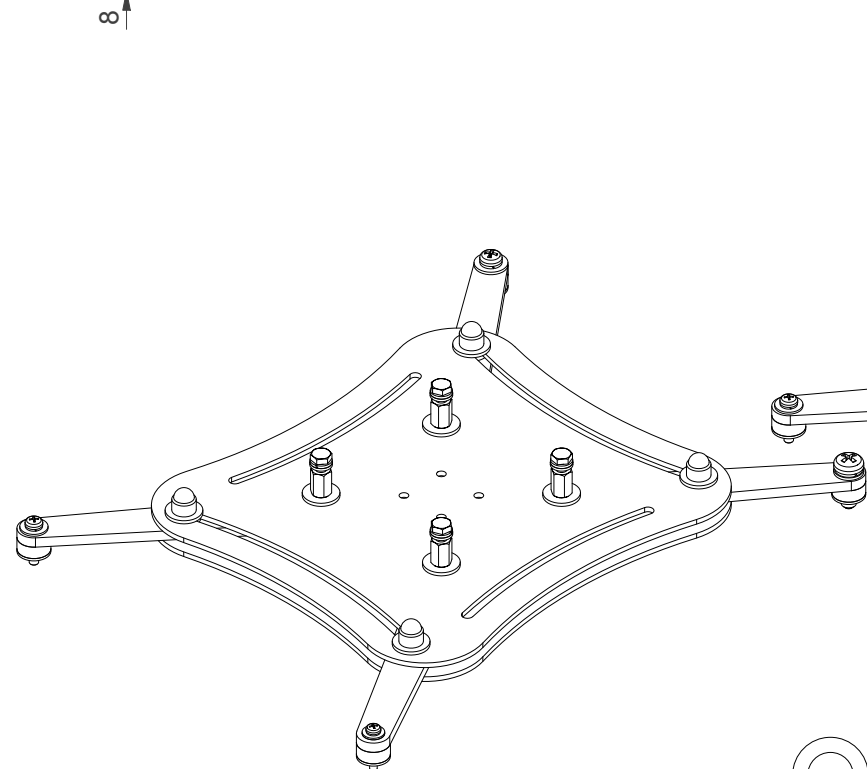
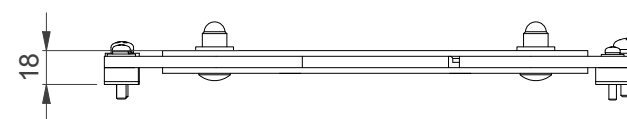
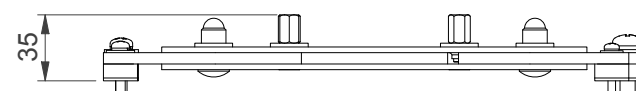
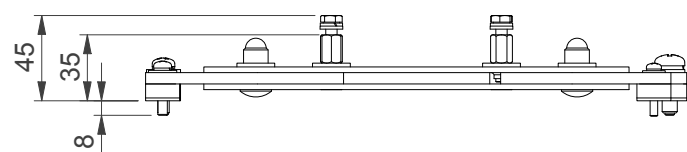
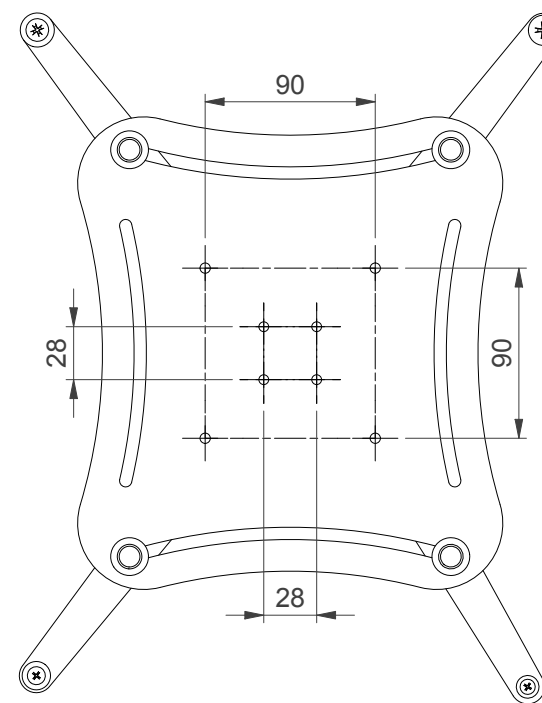
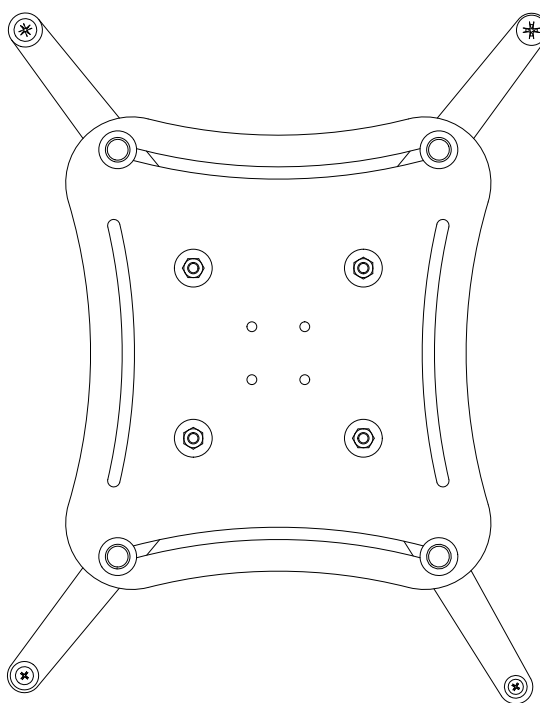
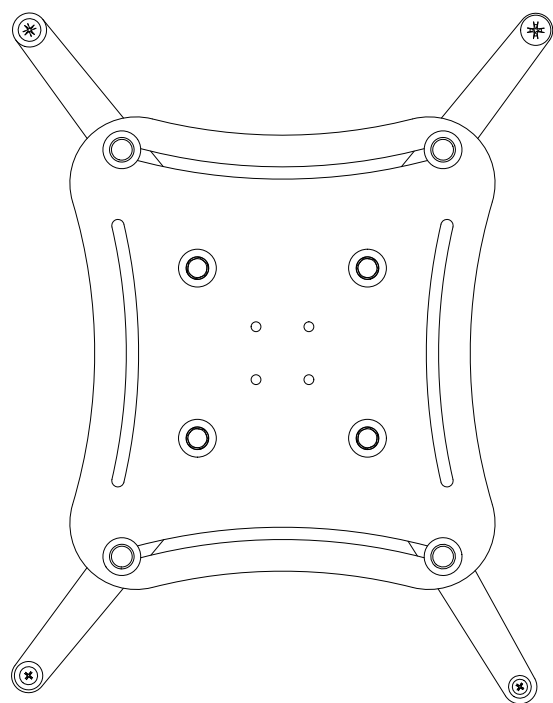


WITH STUDS

FOR CEILINGLIFTS, STACKFRAMES EN MIRRORKITS

NO STUDS - FOR TUBESETS



360° ORIENTATION

NOTE: All dimensions are ±..., in mm and subject to change

© COPYRIGHT AUDIPACK
This print and the information shown thereon, is the property of AUDIPACK.
It may not be delivered to others nor reproduced for general circulation without the written consent of the AUDIPACK engineering department.



AUDIPACK
Industriestraat 2-4
2751 GT Moerkapelle
the Netherlands
Tel: +31(0)795931671
Fax: +31(0)795933115
www.audipack.com

PRESENTATION
QFIX-5

PROJECTOR MOUNT