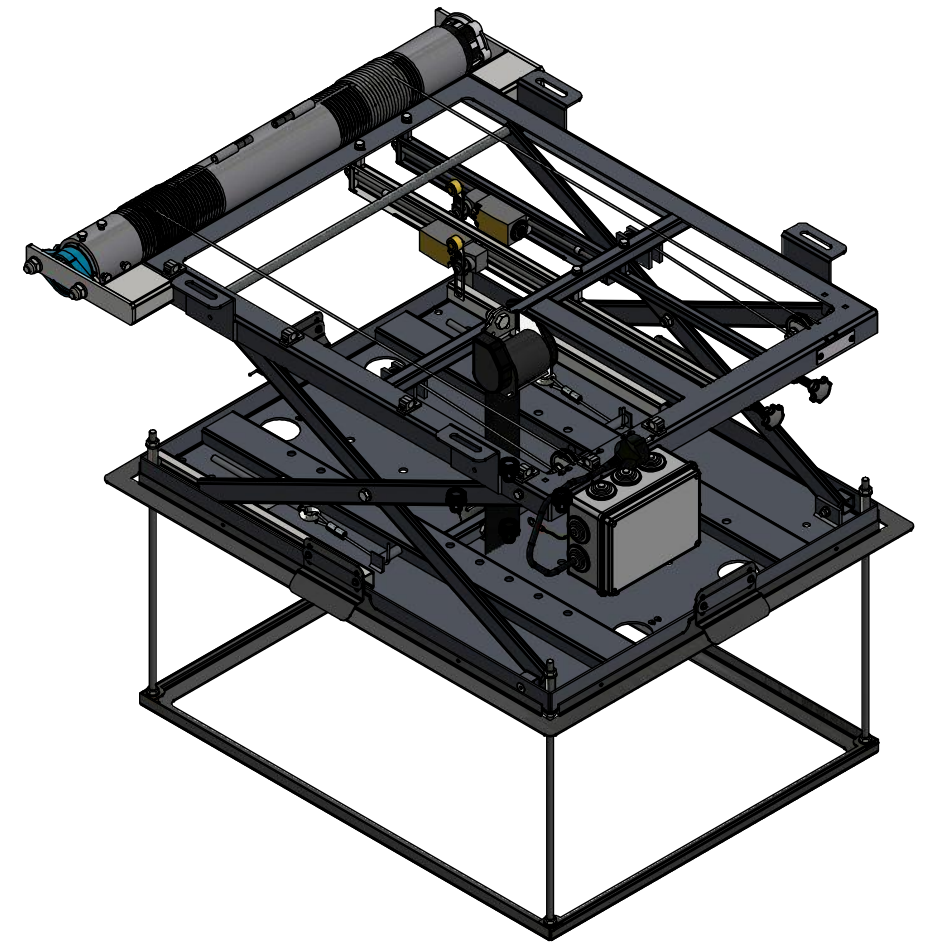


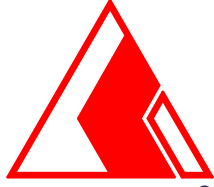
NOTE: Keep min. 200mm service-space around the system

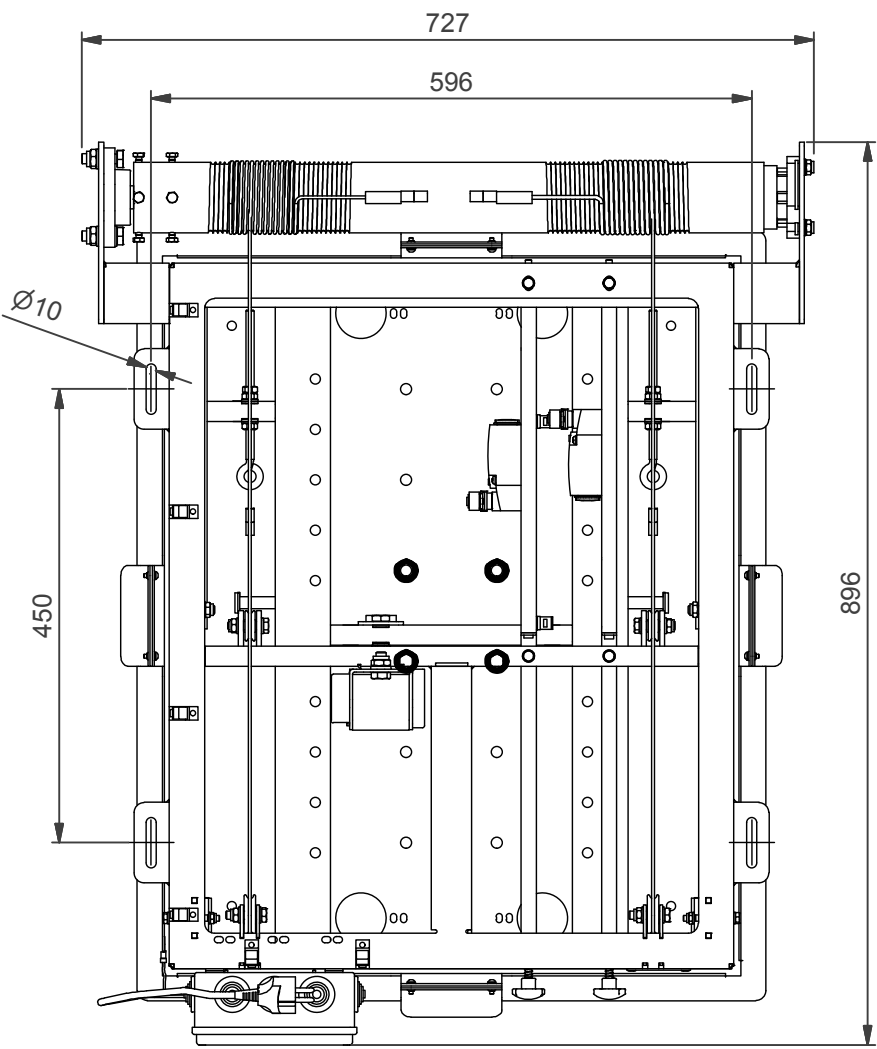


Model	H1	H2	W x L	Max. Load
PCL-5070-1	150 mm	550 mm	560 x 700 mm	85 kg
PCL-5070-2	180 mm	1100 mm	560 x 700 mm	85 kg
PCL-5070-3	210 mm	1620 mm	560 x 700 mm	85 kg
PCL-5070-4	235 mm	2140 mm	560 x 700 mm	85 kg
PCL-5070-5	270 mm	2660 mm	560 x 700 mm	85 kg
PCL-5070-6	300 mm	3180 mm	560 x 700 mm	85 kg
PCL-5070-7	335 mm	3700 mm	560 x 700 mm	85 kg
PCL-5070-8	365 mm	4200 mm	560 x 700 mm	85 kg
PCL-5070-9	390 mm	4680 mm	560 x 700 mm	85 kg
PCL-5070-10	425 mm	5380 mm	560 x 700 mm	85 kg

Dimensions are indications, not to be used for any preparations. No rights can be derived from the above dimensions.

NOTE: All dimensions are ±..., in mm and subject to change

<p>© COPYRIGHT AUDIPACK This print and the information shown thereon, is the property of AUDIPACK. It may not be delivered to others nor reproduced for general circulation without the written consent of the AUDIPACK engineering department.</p>	 <p>AUDIPACK Industriestraat 2-4 2751 GT Moerkapelle the Netherlands Tel: +31(0)795931671 Fax: +31(0)795933115 www.audipack.com</p>
<p>PRESENTATION</p>	



Model	Number of Scissors	Overall Stroke	Construction Height
PCL-5070-1	1	150 mm	580 mm
PCL-5070-2	2	170 mm	1100 mm
PCL-5070-3	3	220 mm	1600 mm
PCL-5070-4	4	280 mm	2100 mm
PCL-5070-5	5	340 mm	2600 mm
PCL-5070-6	6	400 mm	3150 mm
PCL-5070-7	7	450 mm	3650 mm
PCL-5070-8	8	500 mm	4150 mm

