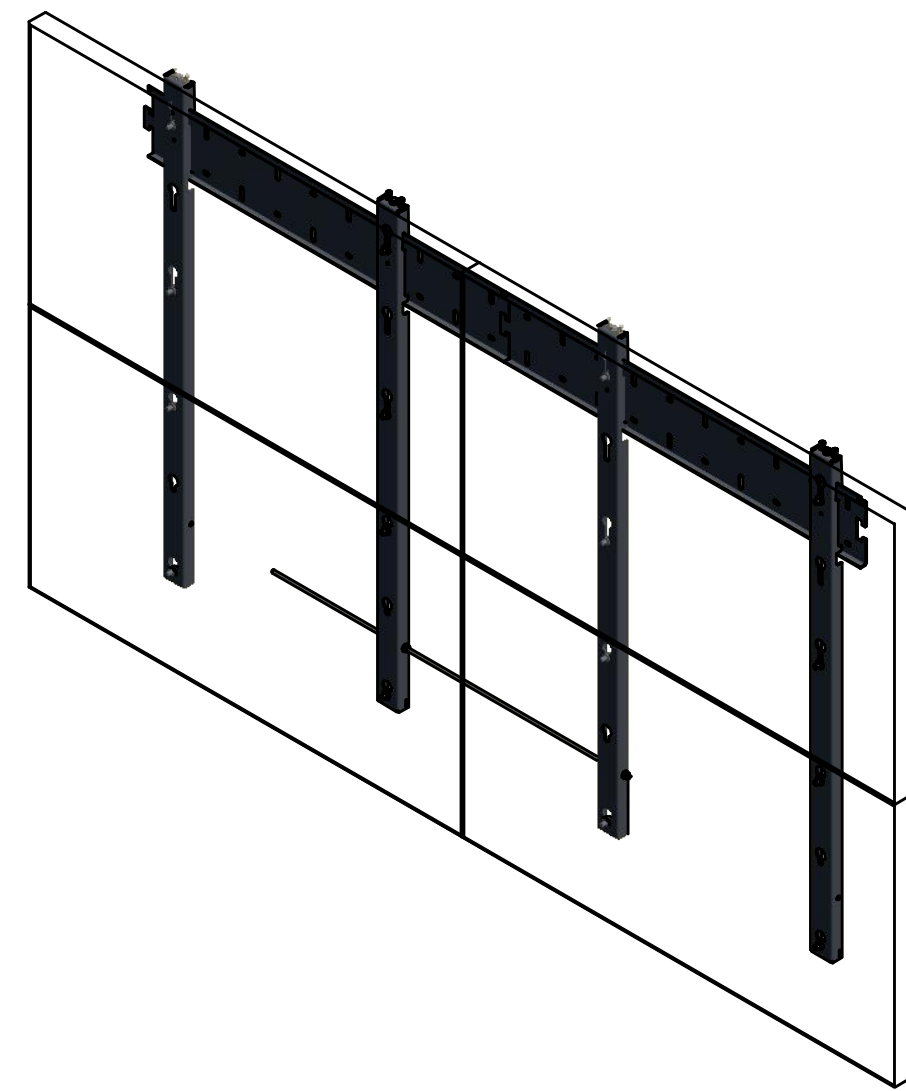
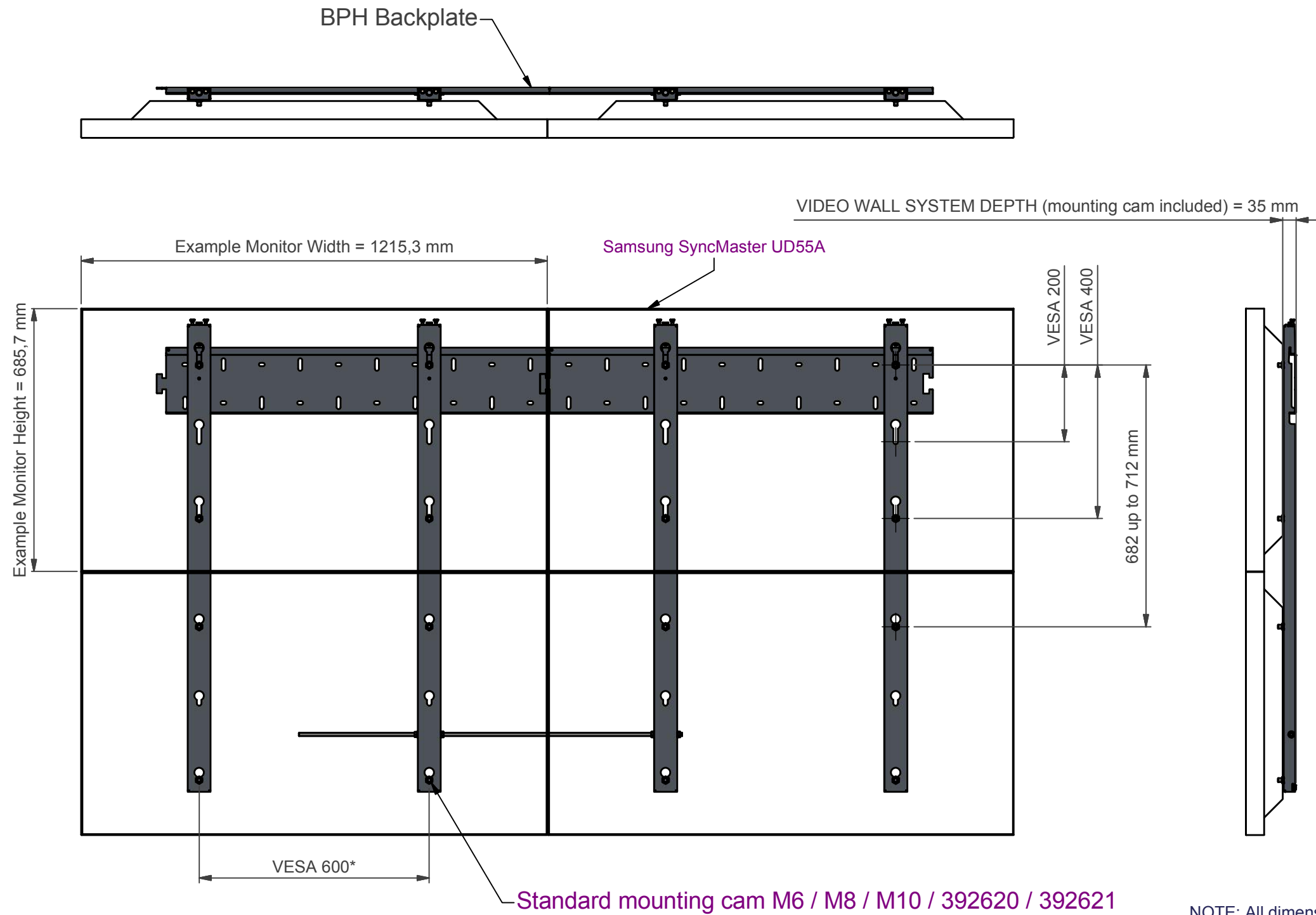



VIDEO WALL VESA 200 and 400 DOUBLE MOUNTING ARM FOR CENTRIC VESA PATTERN OUTLINE



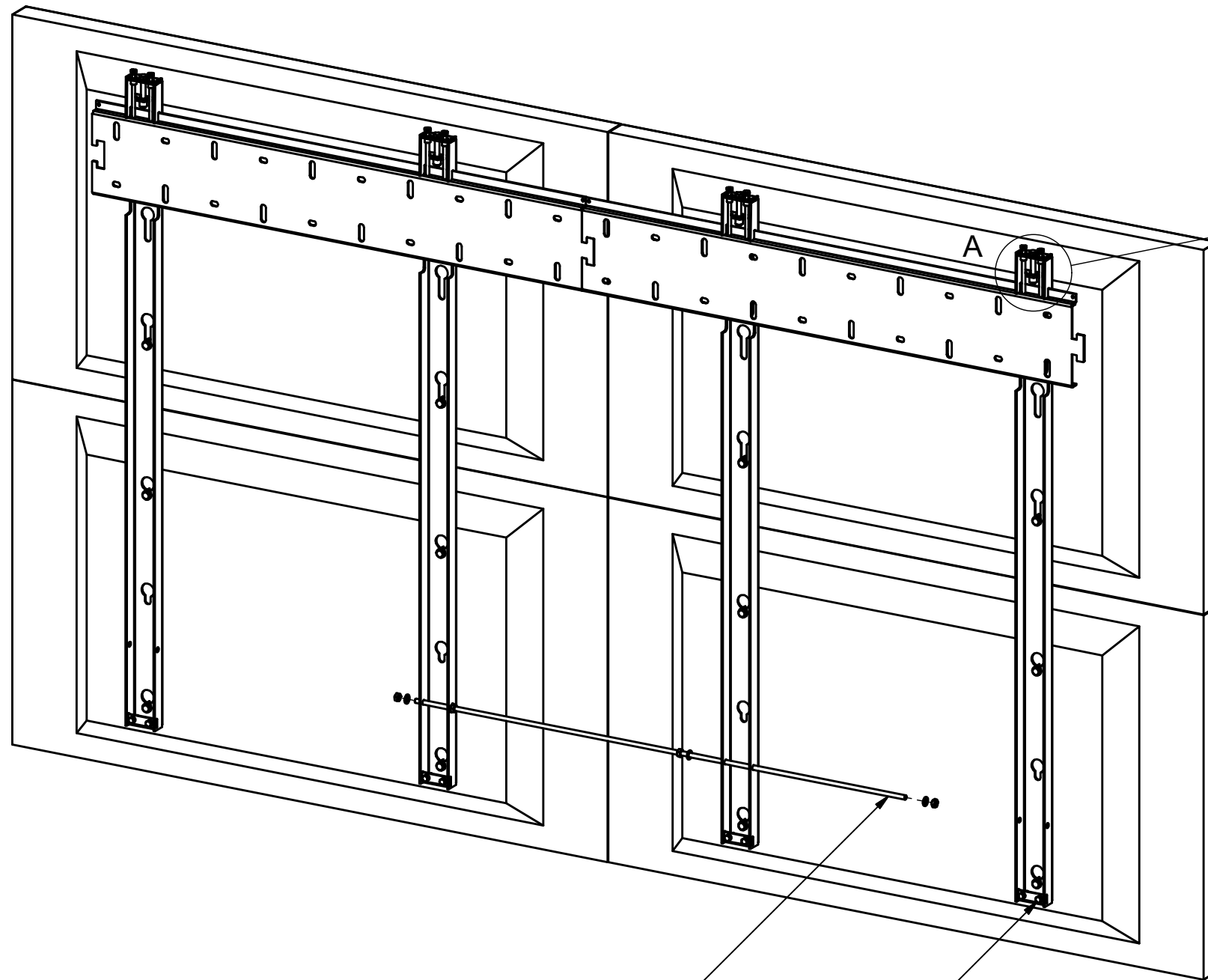
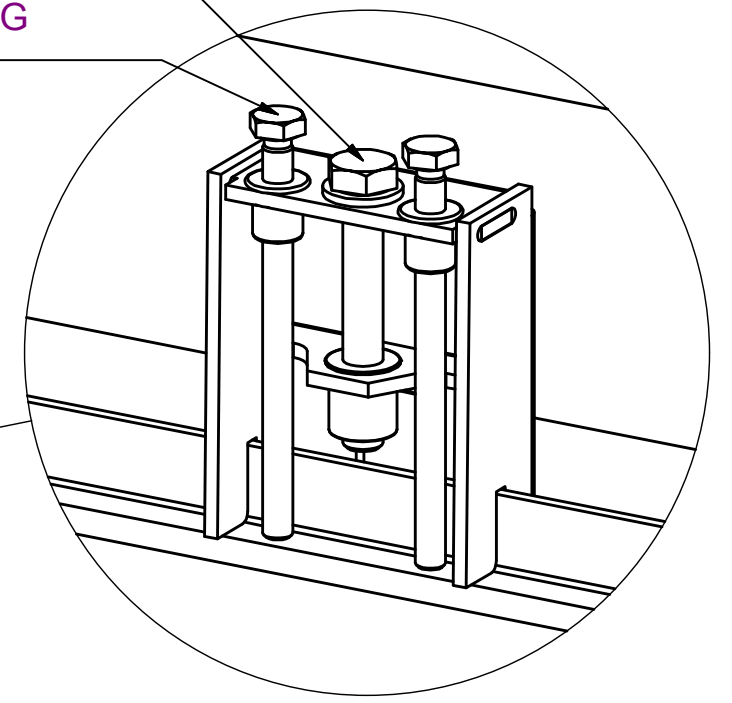
NOTE: All dimensions are ±..., in mm and subject to change

*) It is variable depends on the width of the monitor.

Dimensions are indications, not to be used for any preparations. No rights can be derived from the above dimensions.

<p>© COPYRIGHT AUDIPACK This print and the information shown thereon, is the property of AUDIPACK. It may not be delivered to others nor reproduced for general circulation without the written consent of the AUDIPACK engineering department.</p>	 <p>AUDIPACK Industriestraat 2-4 2751 GT Moerkapelle the Netherlands Tel: +31(0)795931671 Fax: +31(0)795933115 www.audipack.com</p>
<p>PRESENTATION VWM-MA-2-55NB_presentation</p>	<p>VIDEO WALL MOUNTING ARM DOUBLE 55 inch VESA 200/400</p>

MONITOR HEIGHT ADJUSTMENT
 MONITOR HOOGTEVERSTELLING
 HORIZONTAL ARM ALIGNMENT
 HORIZONTALE ARM UITLIJNING



CUT TO LENGTH IF CONVENIENT
 EVENTUEEL OP LENGTE INKORTEN

WALL OFFSET ADJUSTMENT
 WANDVERSTELLING

NOTE: All dimensions are ±..., in mm and subject to change

© COPYRIGHT AUDIPACK
 This print and the information shown
 thereon, is the property of
 AUDIPACK.
 It may not be delivered to others nor
 reproduced for general circulation
 without the written consent of the
 AUDIPACK engineering department.



AUDIPACK
 Industriestraat 2-4
 2751 GT Moerkapelle
 the Netherlands
 Tel: +31(0)795931671
 Fax: +31(0)795933115
 www.audipack.com

PRESENTATION
 VWM-MA-2-55NB_presentation

VIDEO WALL MOUNTING ARM
 DOUBLE 55 inch VESA 200/400

Dimensions are indications, not to be used for any preparations. No rights can be derived from the above dimensions.