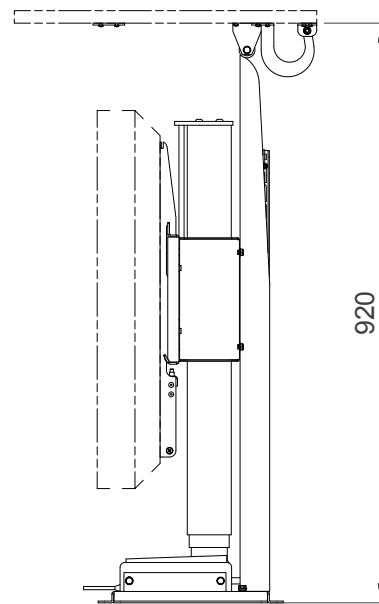
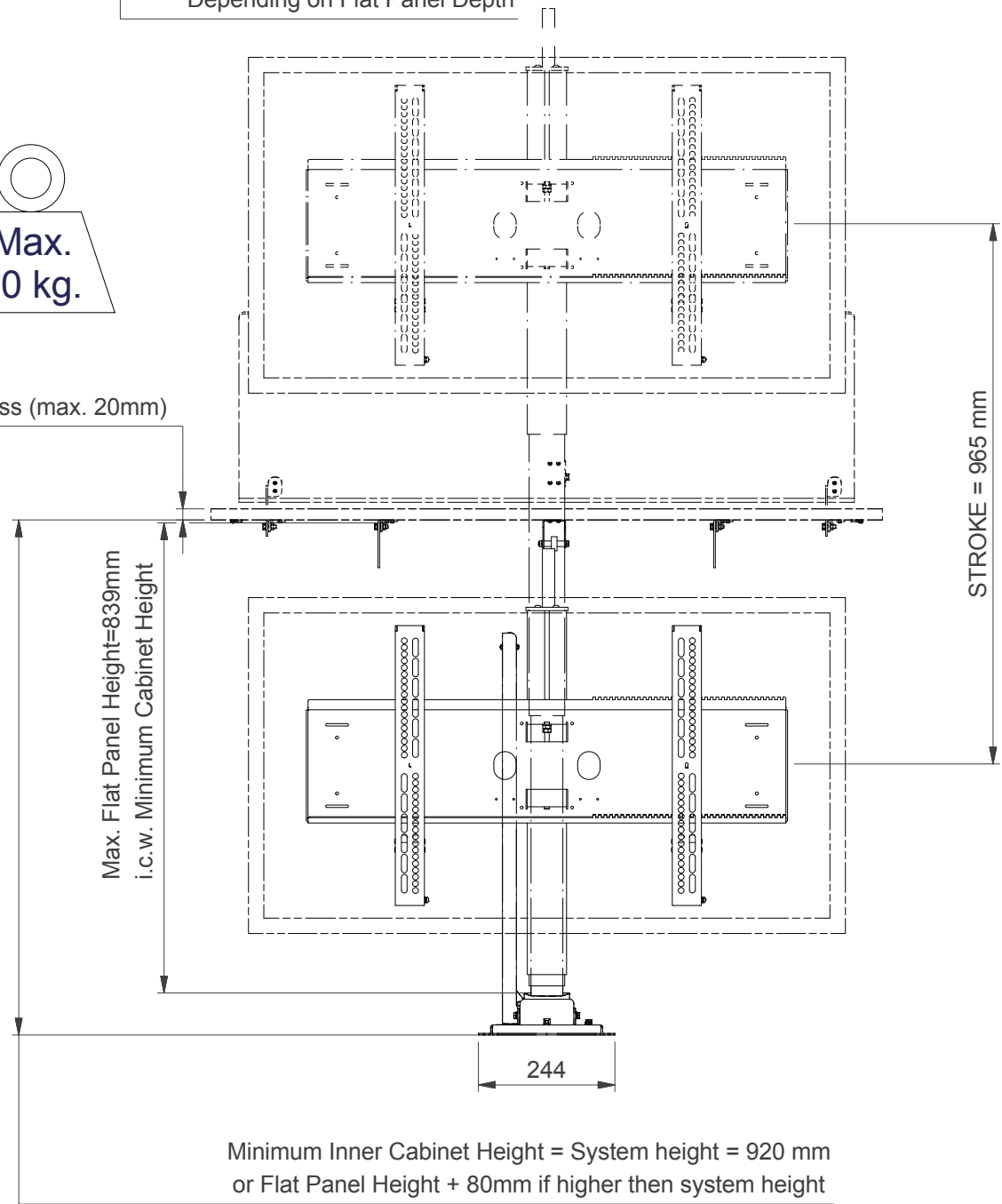


Max.  
50 kg.

Cabinet thickness (max. 20mm)



### Power Supply

Input: 230V/50Hz/2.5A  
 Duty cycle: 1min. / 9min.  
 Max. Load System: 50 kg.

NOTE: All dimensions are ±..., in mm and subject to change

© COPYRIGHT AUDIPACK  
 This print and the information shown thereon, is the property of AUDIPACK.  
 It may not be delivered to others nor reproduced for general circulation without the written consent of the AUDIPACK engineering department.



**AUDIPACK**  
 Industriestraat 2-4  
 2751 GT Moerkapelle  
 the Netherlands  
 Tel: +31(0)795931671  
 Fax: +31(0)795933115  
 www.audipack.com

PRESENTATION

P5321 FLAT PANEL TELESCOPIC LIFT SYSTEM

NOTE: Max Flat Panel Height = Stroke (960mm) - Thickness Cabinet - 15mm

Dimensions are indications, not to be used for any preparations. No rights can be derived from the above dimensions.