



PWM-ST

installatie handleiding

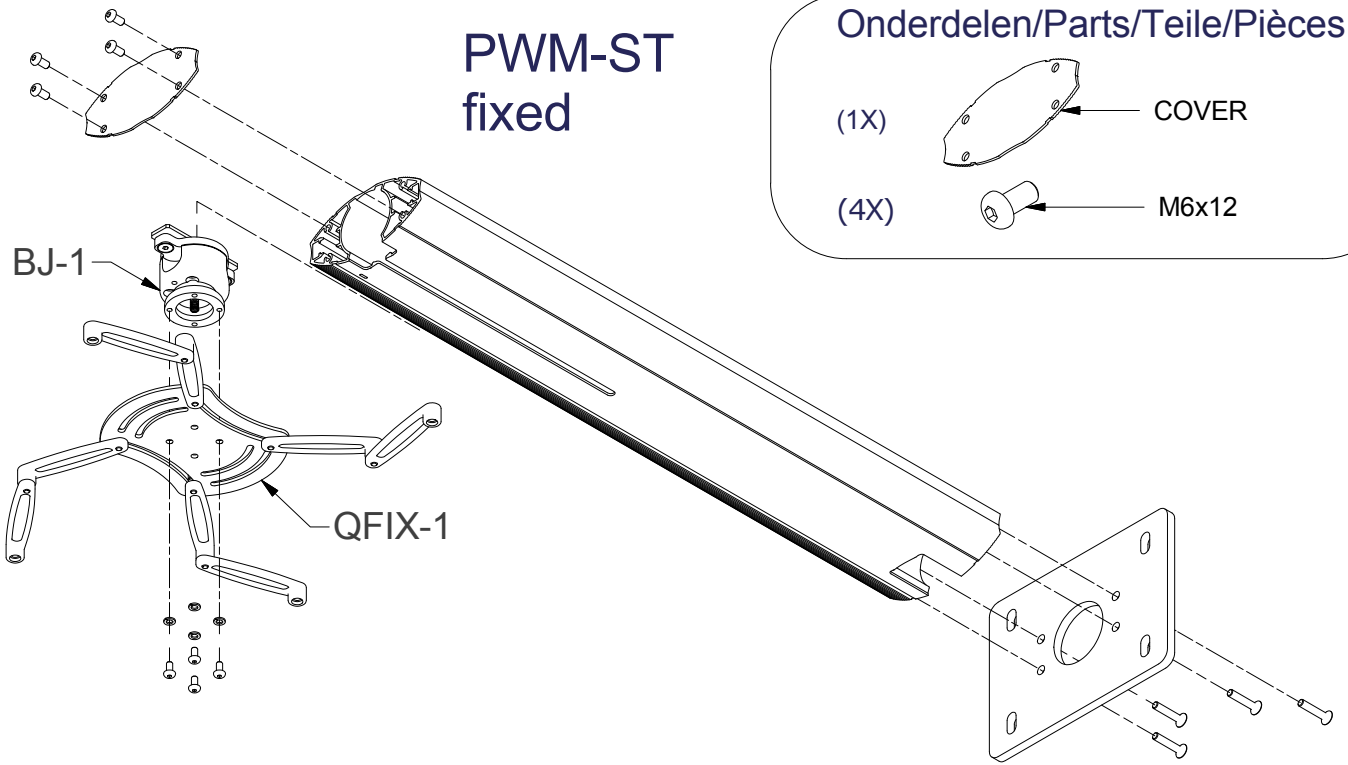
installation guide

installationhandbuch

guide d'installation



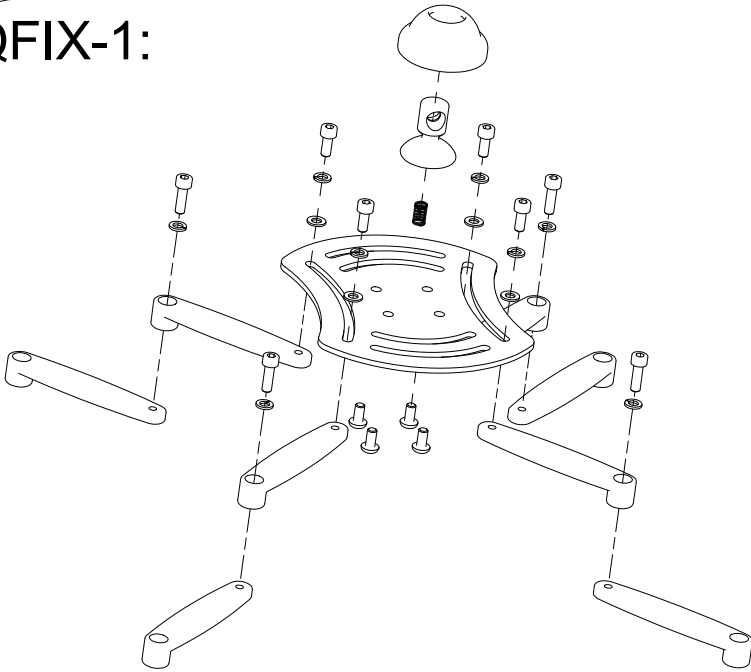
PWM-ST fixed



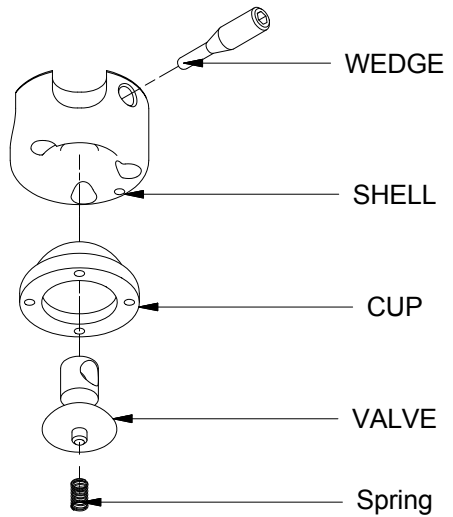
Onderdelen/Parts/Teile/Pièces

- (1X) COVER
- (4X) M6x12

QFIX-1:



BJ-1:



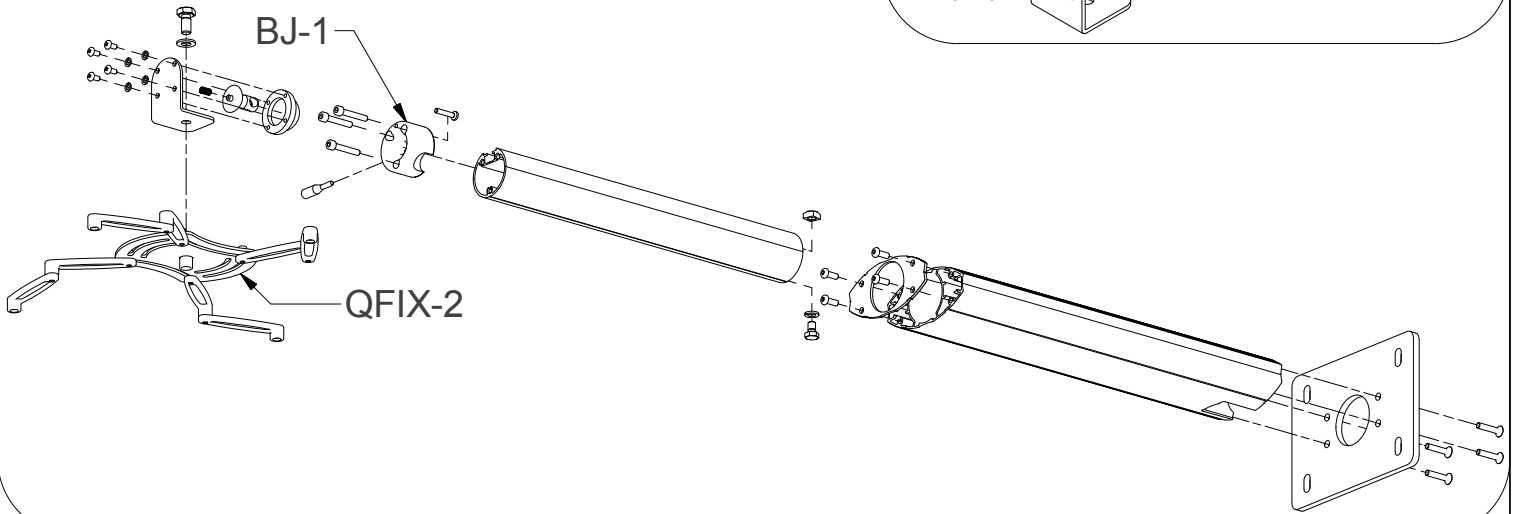
Onderdelen/Parts/Teile/Pièces

- | | |
|-------------------------|-------------|
| (4X) Washer 3mm | (4X) M3x12 |
| (4X) Washer 4mm | (4X) M3x20 |
| (4X) Washer 5mm | (4X) M3x25 |
| (12X) Springwasher 5mm | (4X) M4x12 |
| (4X) Allen Bolt M5x12 | (4X) M4x20 |
| (4X) Allen Bolt M5x16 | (4X) M4x25 |
| (8X) 310050 | (4X) M5x12 |
| | (4X) M5x25 |
| | (4X) M5x20 |

Onderdelen/Parts/Teile/Pièces

- (4X) Spring washer 5mm
- (4X) M5x10
- (3X) M6x25
- (3X) Spring washer 6mm
- (1X) Allen Key 3mm
- (1X) Allen Key 4mm
- (1X) Allen Key 5mm

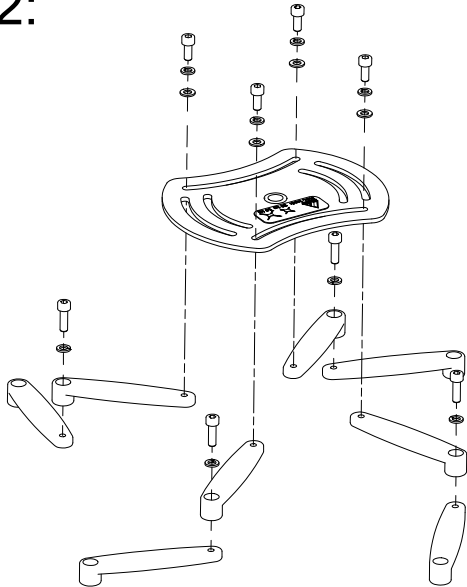
PWM-ST telescopic



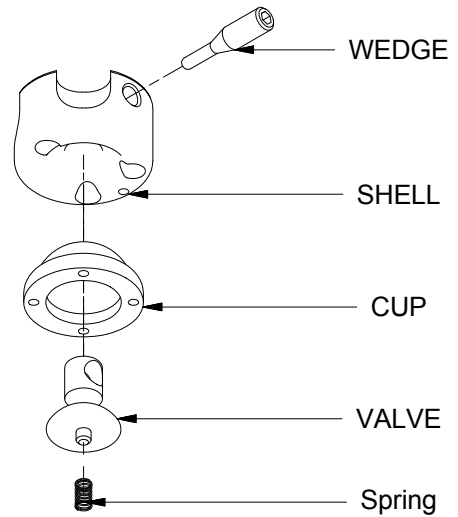
Onderdelen/Parts/Teile/Pièces

- (1X) Ø10
- (1X) M10x20
- (1X) L-BRACKET

QFIX-2:



BJ-1:

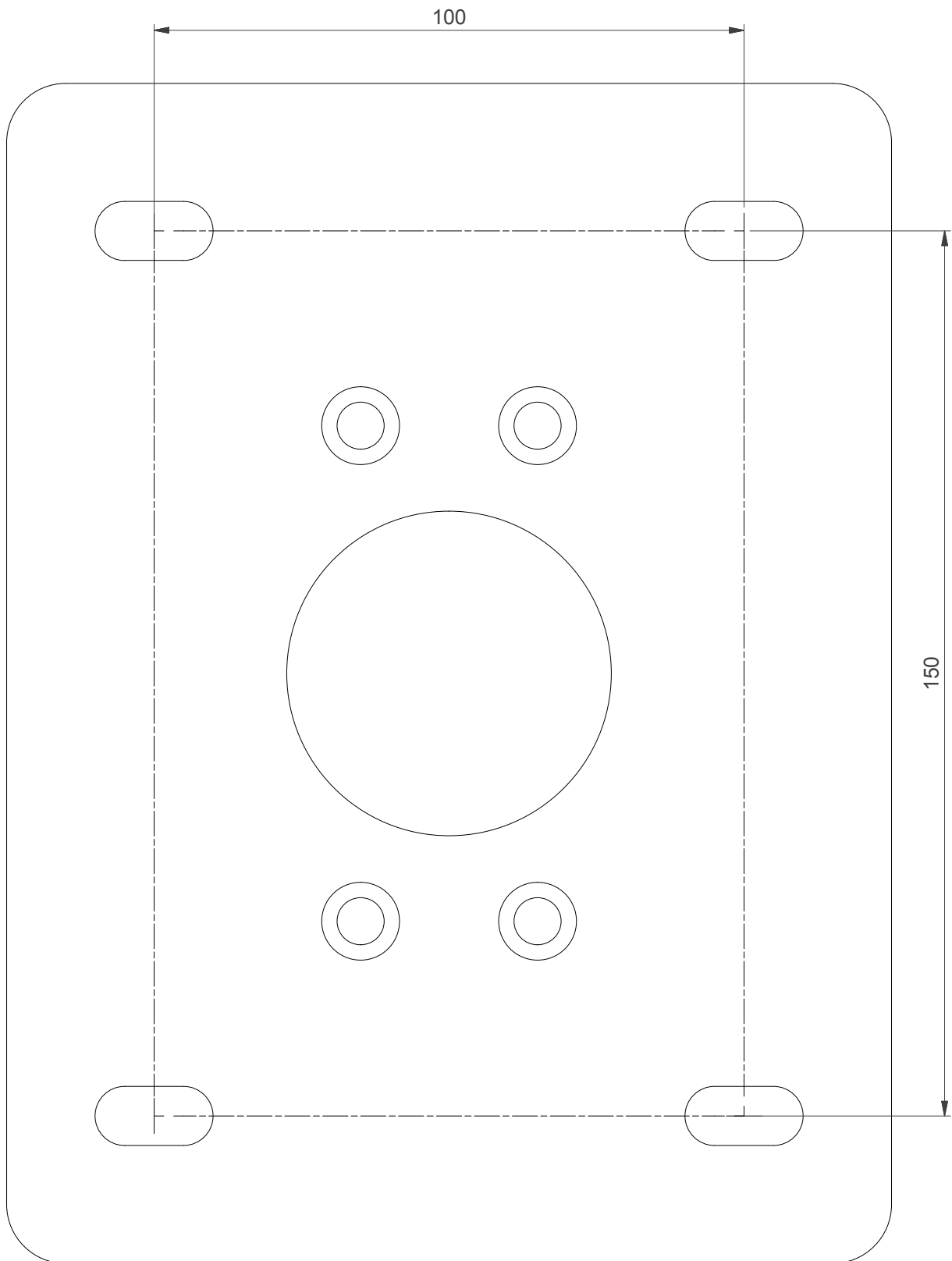


Onderdelen/Parts/Teile/Pièces


- | | |
|-------------------------|-------------|
| (4X) Washer 3mm | (4X) M3x12 |
| (4X) Washer 4mm | (4X) M3x20 |
| (4X) Washer 5mm | (4X) M3x25 |
| (12X) Springwasher 5mm | (4X) M4x12 |
| (4X) Allen Bolt M5x12 | (4X) M4x20 |
| (4X) Allen Bolt M5x16 | (4X) M4x25 |
| (8X) 310050 | (4X) M5x12 |
| | (4X) M5x25 |
| | (4X) M5x20 |

Onderdelen/Parts/Teile/Pièces

- (4X) Spring washer 5mm
- (4X) M5x10
- (3X) M6x35
- (1X) Allen Key 3mm
- (1X) Allen Key 4mm
- (1X) Allen Key 5mm



NOTE: All dimensions are \pm ..., in mm and subject to change
 Dimensions are indications, not to be used for any preparations. No rights can be derived from the above dimensions.

<p>© COPYRIGHT AUDIPACK This print and the information shown thereon, is the property of AUDIPACK. It may not be delivered to others nor reproduced for general circulation without the written consent of the AUDIPACK engineering department.</p>	 <p>AUDIPACK Industriestraat 2-4 2751 GT Moerkapelle the Netherlands Tel: +31(0)795931671 Fax: +31(0)795933115 www.audipack.com</p>
<p>BOORMAL</p>	<p>PROJECT WALL MOUNT SHORT THROW</p>