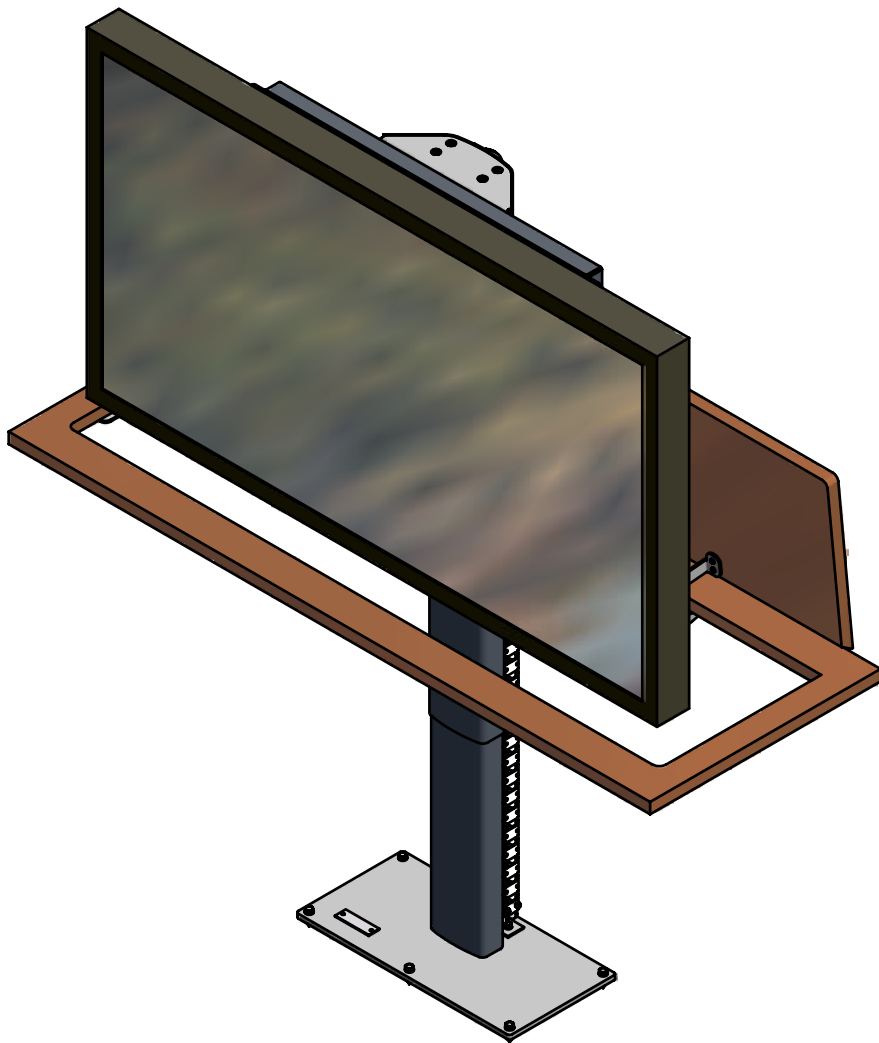


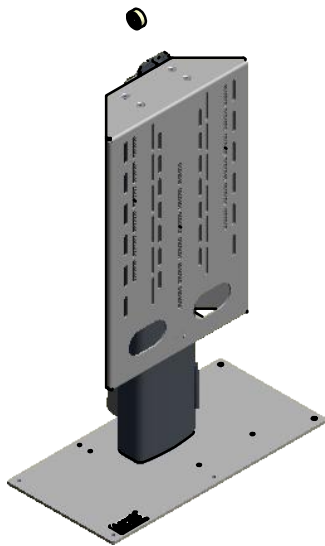


AUDIPACK
Industriestraat 2-4
2751 GT Moerkapelle
the Netherlands
Tel: +31(0)795931671
Fax: +31(0)795933115
Email: audipack@audipack.com
www.audipack.com



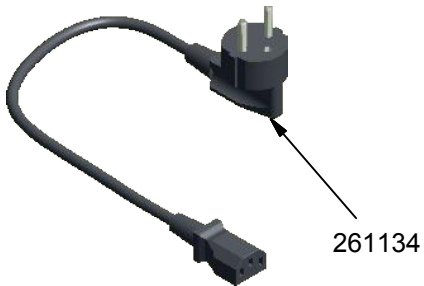
Mounting instructions
Montagevoorschrift
Instructions de montage
Montageanleitung

CHECKLIST



P3674

1x



1x

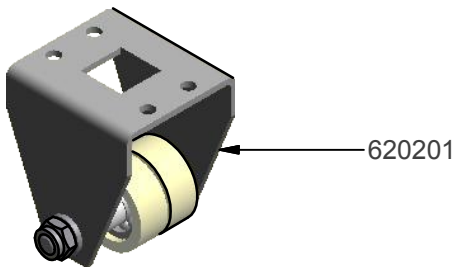


460321

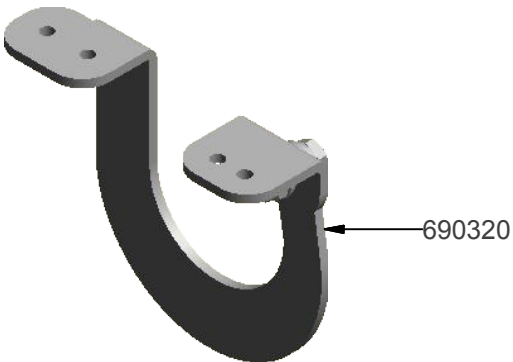
1x



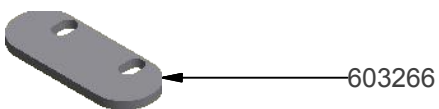
1x



2x



2x



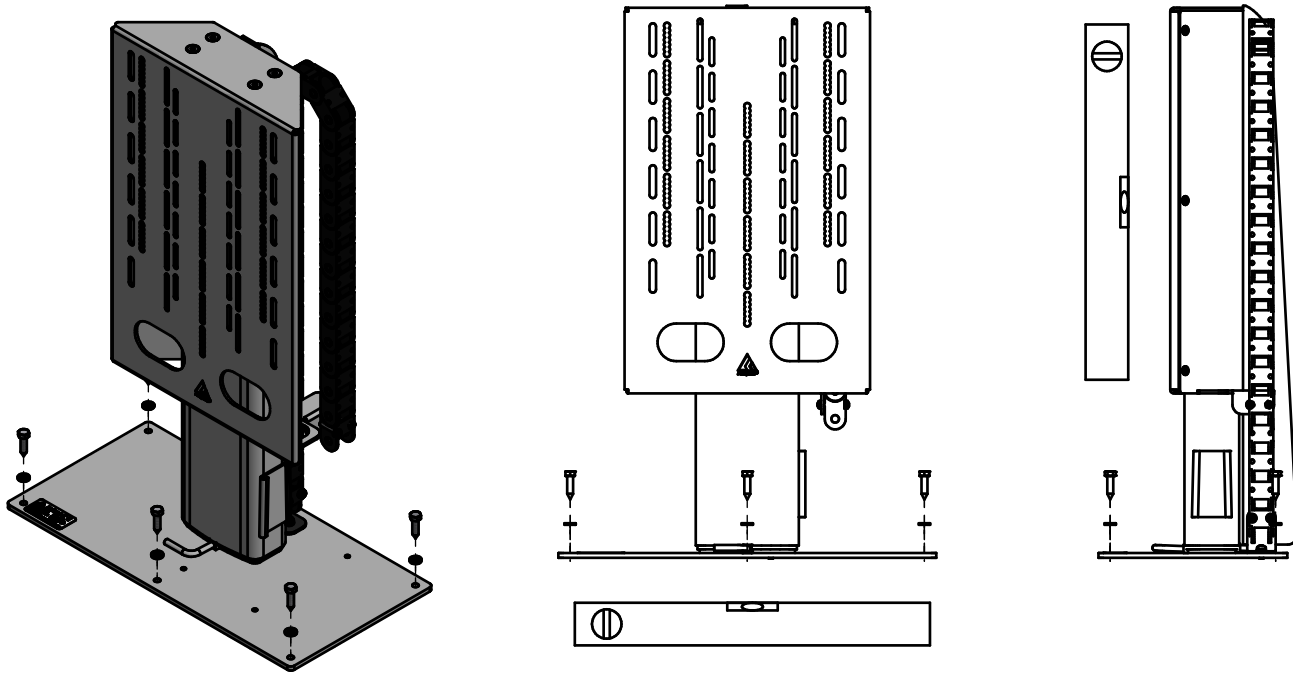
OPTIONAL

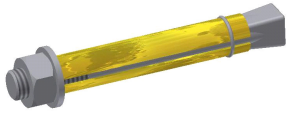

1x



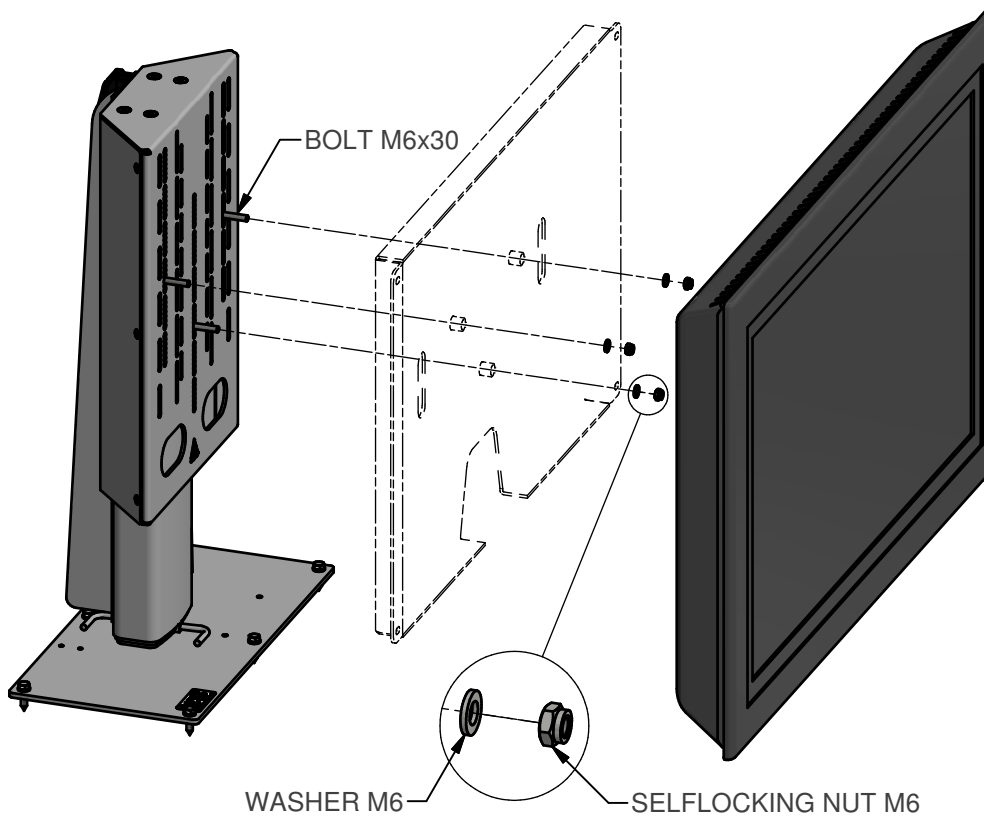
brand related flat panel mount 39....

1.

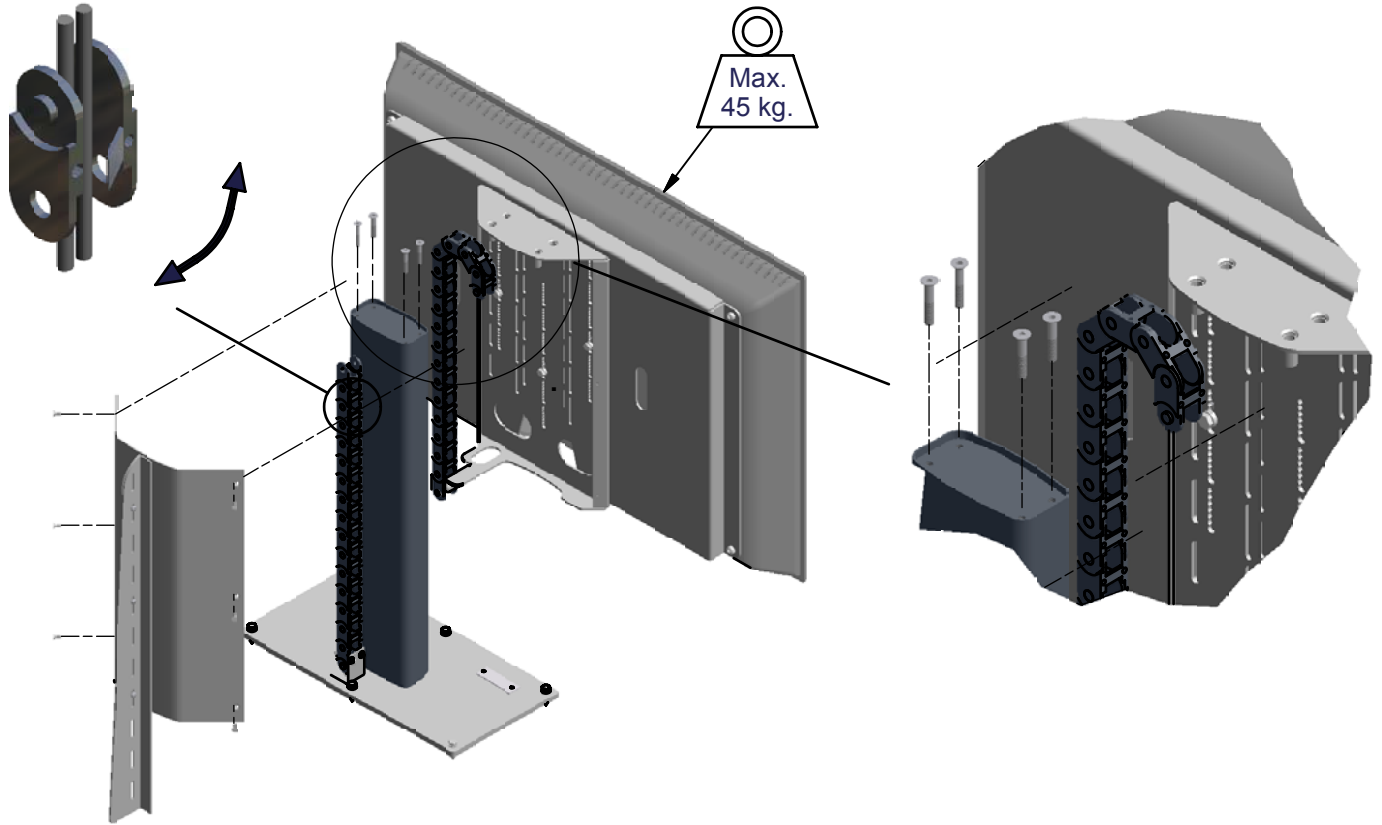


Concrete: Beton :		Wood : Holz : Bois : Hout :	
Min.4X	DIN 16168 – M6x....	Min.4X	DIN 571 – M6 x 4.6

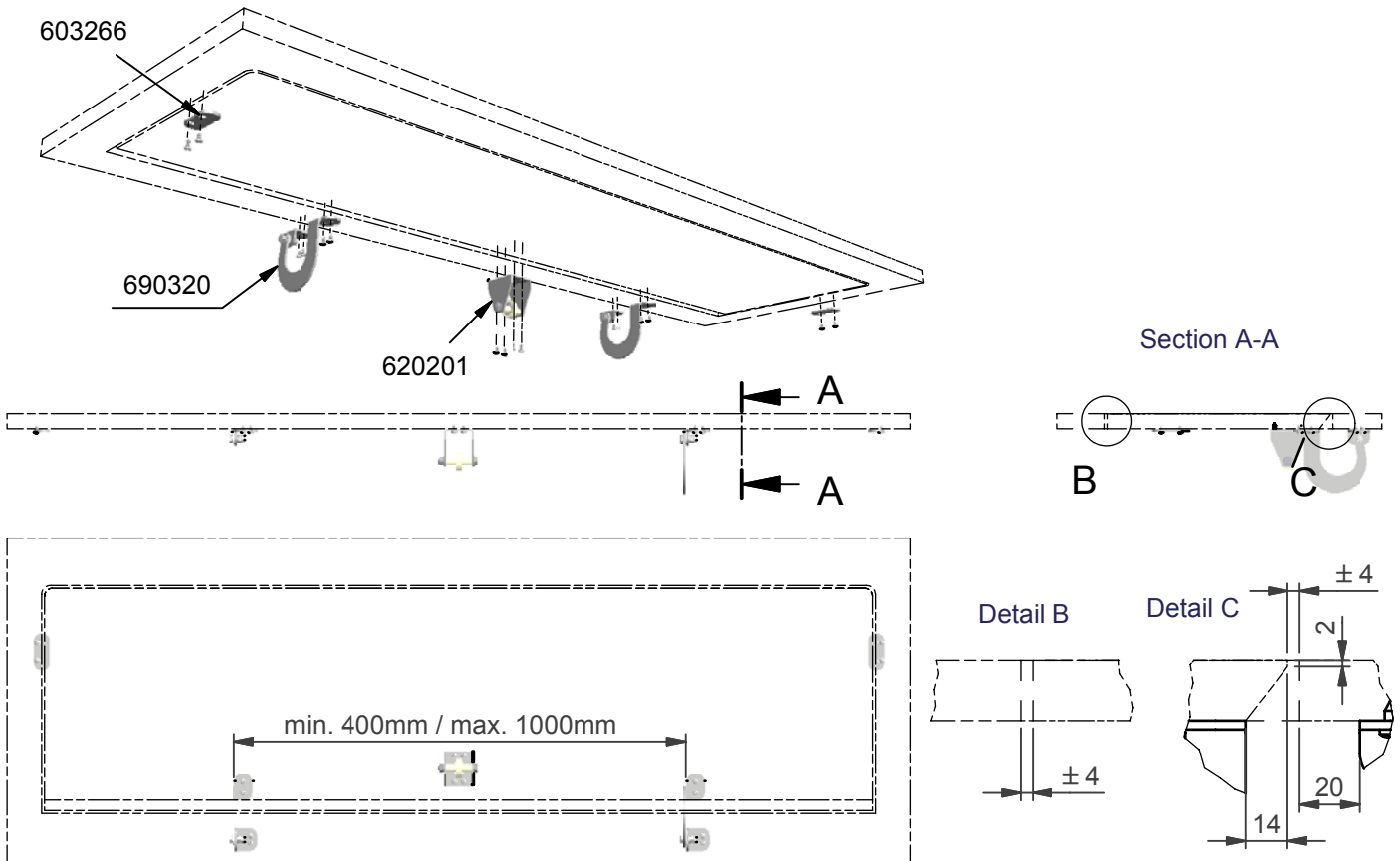
2.



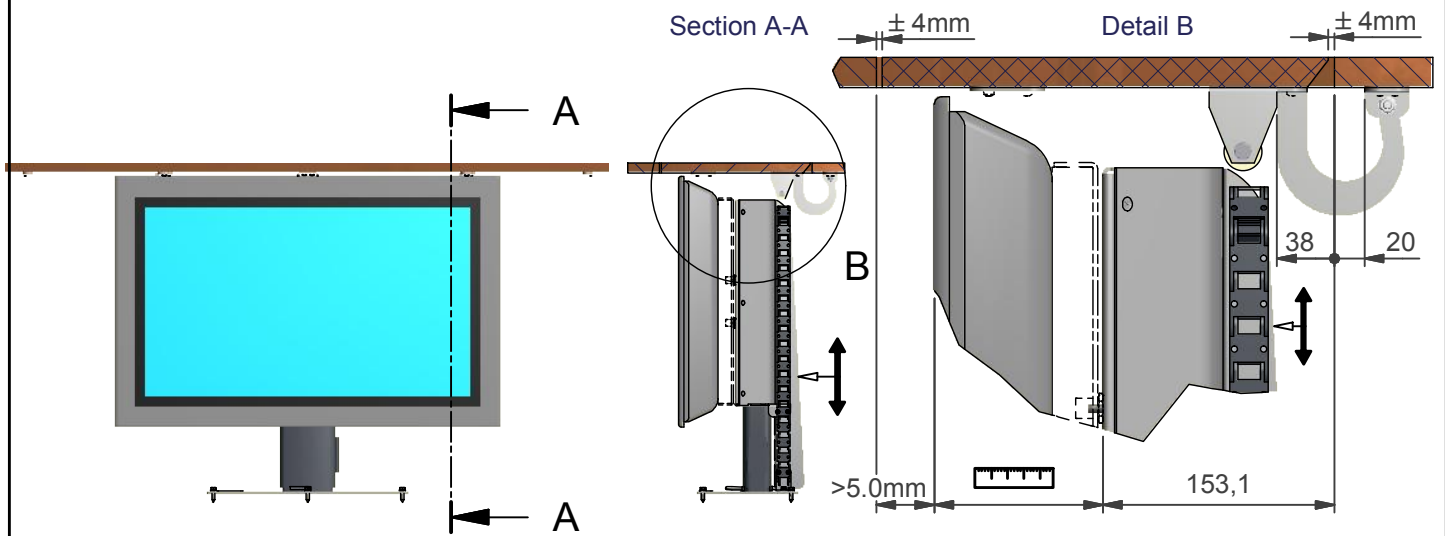
3.



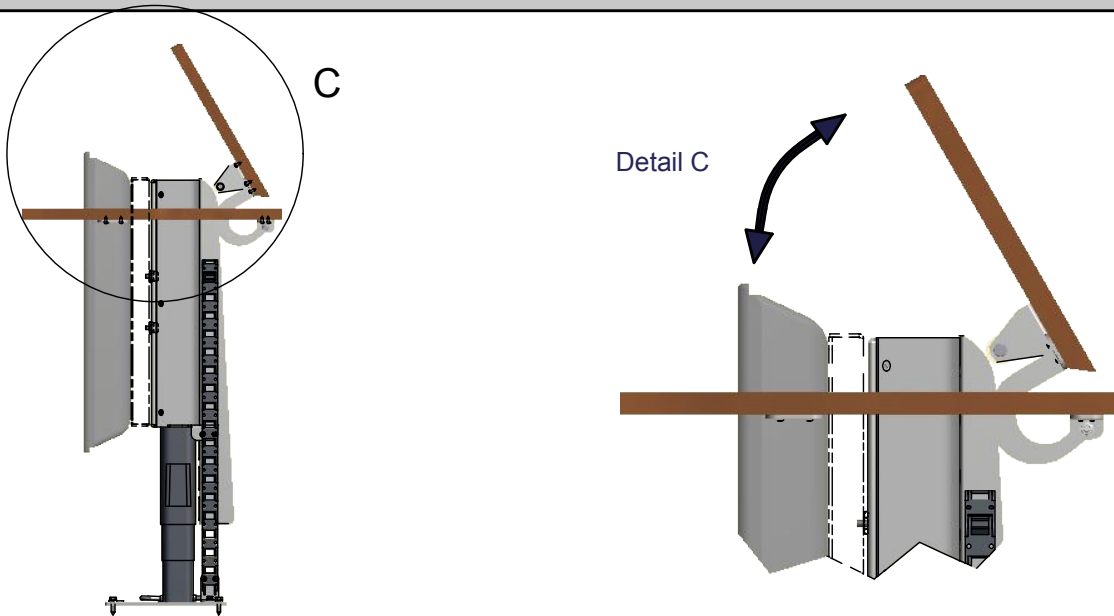
4.



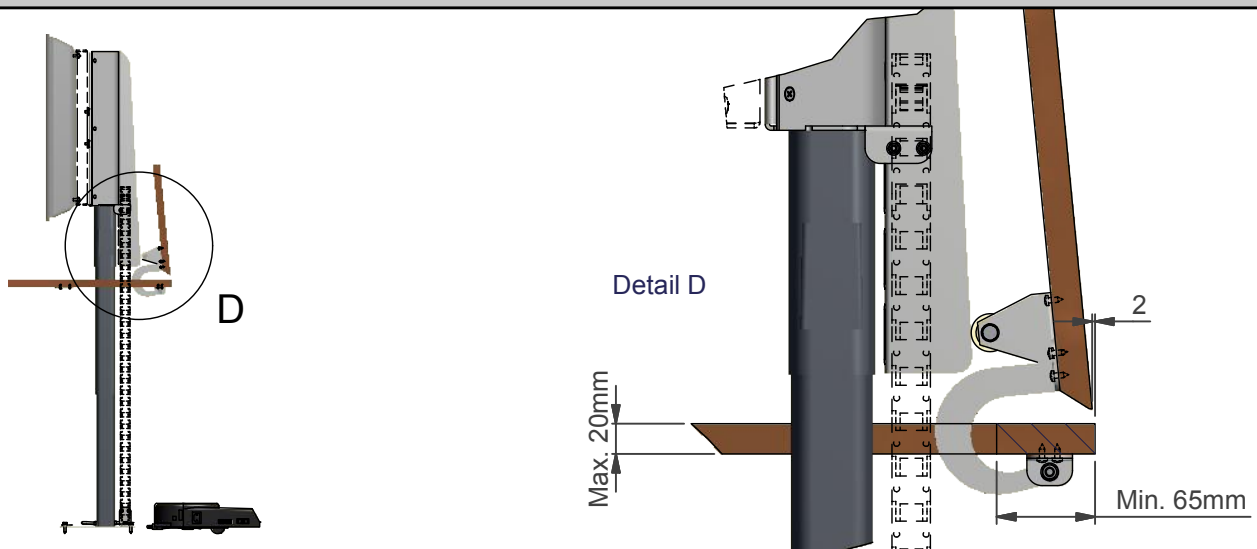
5.



6.



7.



For connecting or activating the system the standard applied table switch can be used.



When the system must be connected or activated with an external control system, use the below listed option:

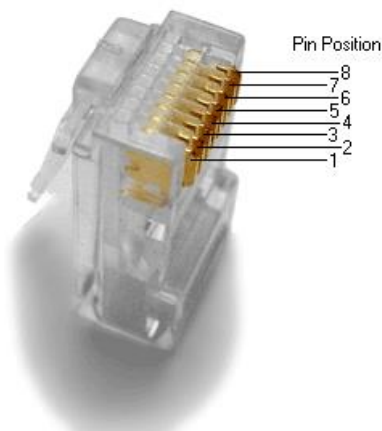
- use a separate potential free relay or switch with neutral middle position for each direction
- always use potential free contact closures (dry contacts)
- switching time delay of at least 0.5 seconds for up and down direction.

For use with an external control system the standard cable can be modified by cutting of the switch and use below listed / attached colour scheme to activate the system.

Second option is to use a new control cable with an RJ45 connector.

NOTE:

When the system is used in combination with an external limit switch (P5627), route the green (up) wire through the end switch.



- Pos. 8 red (down)
- Pos. 5 green (up)
- Pos. 4 blue (common)

1x



261134

1x



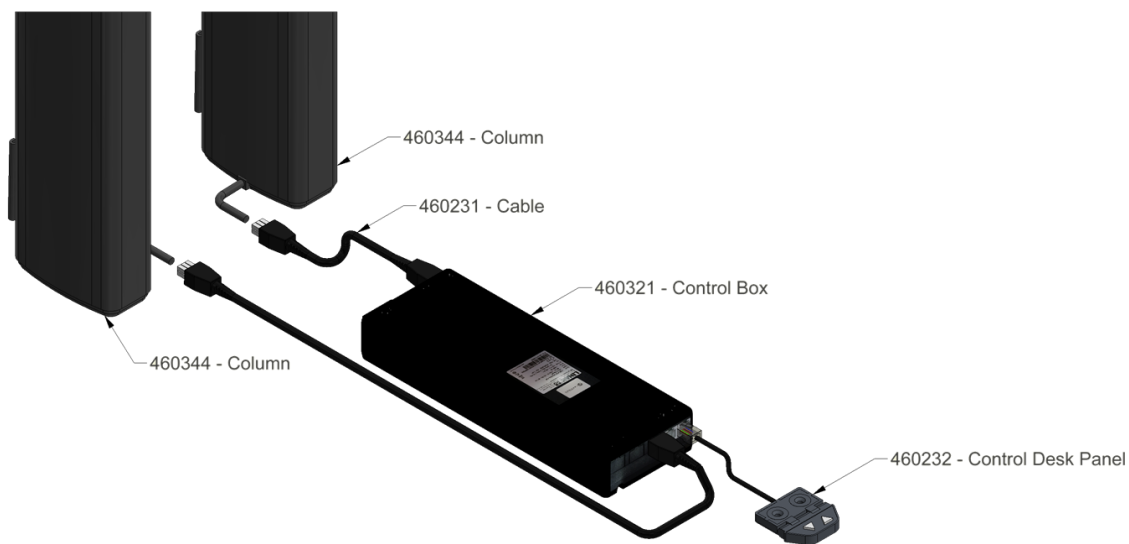
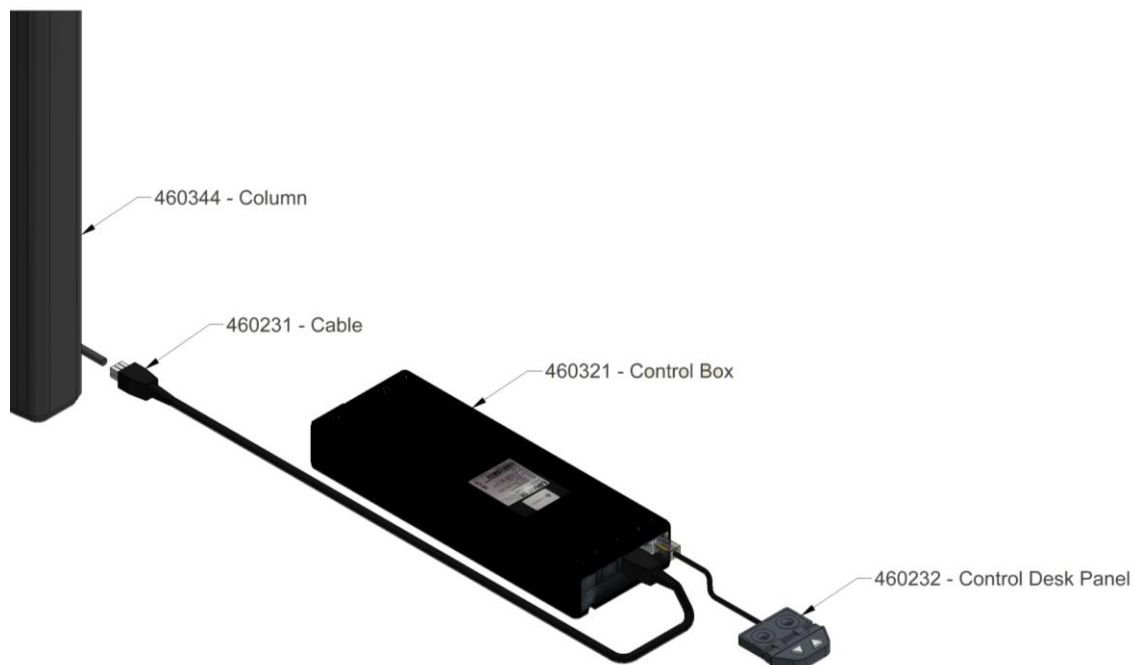
460232

460321



1x

**Single and double column connecting scheme.
FOR the single column version connect the motor to port 1.**



For using the optional wireless remote 460286

Activating the learning mode:

Activate the reset key on the RFR by using a pen or similar to keep the button pressed.



- Keeping the *reset* key activated; the RF handset must be activated by pressing a random key on the RF handset. The RF handset ID's are stored in the memory and at the same time, previous RF handset ID's are erased.
- After having activated the RF handset keys; the *reset* key must be released.
- If no RF handset keys are activated during the matching procedure; no changes are made in the ID memory of.
- Please be aware that other equipments (as e.g. doorbells), which use the 433MHz can disturb the RF signal.

Every RF handset has its own 32 bit unique address and the RF protocol contains a check sum which ensures that only the handset that have been activated during the learning process can activate the system. No noise signal from other RF equipment can activate the system, but might prevent it from running depending on the signal strength of the noise signal.

The operation range for the HB10 is approx. 6m, but depending on the surroundings in where it is mounted it can be less. E.g. if the receiver is mounted in a cabinet along with other equipment.



Audipack ®
www.audipack.com
Industriestraat 2-4
2751 GT Moerkapelle
The Netherlands
audipack@audipack.com



Product : Flat Panel Column Lift
Type : P2628, P2673, P2645, P3674

D **Konformitätserklärung für Maschinen**

Wir erklären hiermit daß die Produkte konform sind mit den einschlägigen Bestimmungen der EG-Maschinen richtlinie:

Maschinenrichtlinie 89/392/EEG mit 91/368/EEG und 93/44/EEG
EMC 89/336/EEG mit EN 55014 und EN 55104
Niederspannung 73/23/EEC mit EN 60335/1

F **Declaration CE de Conformite pour les machines**

Nous declare que les produits sont en conformité avec la Directive pour les machines

Machine 89/392/EEG with 91/368/EEG and 93/44/EEG
EMC 89/336/EEG with EN 55014 and EN 55104
(Low voltage 73/23/EEC with EN 60335/1)

GB **EC-declaration of conformity for machines**

We declare that aforesaid product is constructed in compliance with the following directives with the following directives

Machine 89/392/EEG with 91/368/EEG and 93/44/EEG
EMC 89/336/EEG with EN 55014 and EN 55104
(Low voltage 73/23/EEC with EN 60335/1)

E **EC-Declaracio'n de la conformidad para las máquinas**

Declaramos que el producto antedicho está construido en conformidad con los directorios siguientes

Machine 89/392/EEG with 91/368/EEG and 93/44/EEG
EMC 89/336/EEG with EN 55014 and EN 55104
(Low voltage 73/23/EEC with EN 60335/1)

NL **EG-verklaring van overeenstemming voor machines**

Wij verklaren dat bovengenoemd produkt volgens de onderstaande normen en richtlijnen is geconstrueerd:

Machine 89/392/EEG with 91/368/EEG and 93/44/EEG
EMC 89/336/EEG with EN 55014 and EN 55104
(Low voltage 73/23/EEC with EN 60335/1)

S **EG-försäkran om överensstämmelse**

Tillverkare försäkrar härmed att produkt är tillverkade i överensstämmelse med EG's Maskindirektiv:

Machine 89/392/EEG with 91/368/EEG and 93/44/EEG
EMC 89/336/EEG with EN 55014 and EN 55104
(Low voltage 73/23/EEC with EN 60335/1)

Moerkapelle (NL), 24-11-2006

Audipack,
R&D