

© COPYRIGHT AUDIPACK

This print and the information shown thereon, is the property of AUDIPACK.

It may not be delivered to others nor reproduced for general circulation without the written consent of the AUDIPACK engineering department



AUDIPACK

AUDIPACK
Industriestraat 2
2751 GT Moerkapelle
The Netherlands

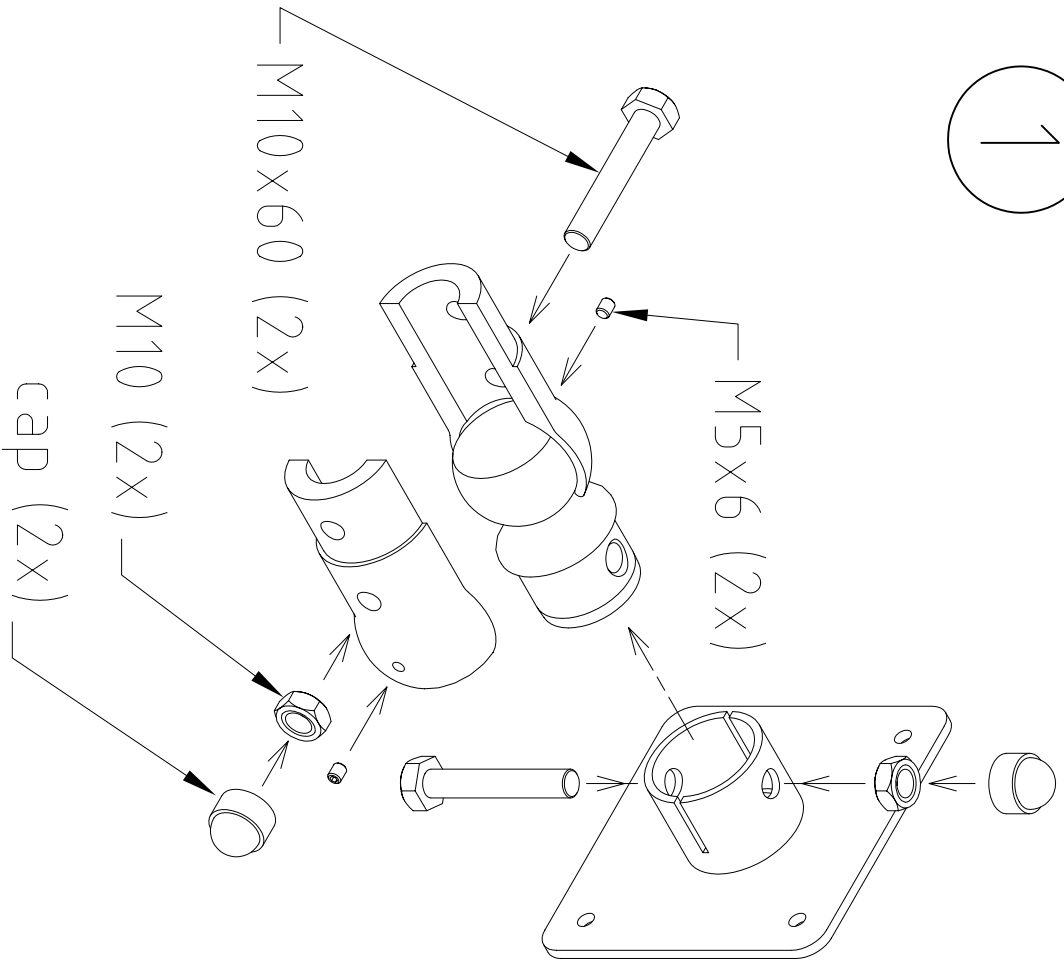
tel. +31(0)795931671
fax. +31(0)795933115

www.Audipack.com

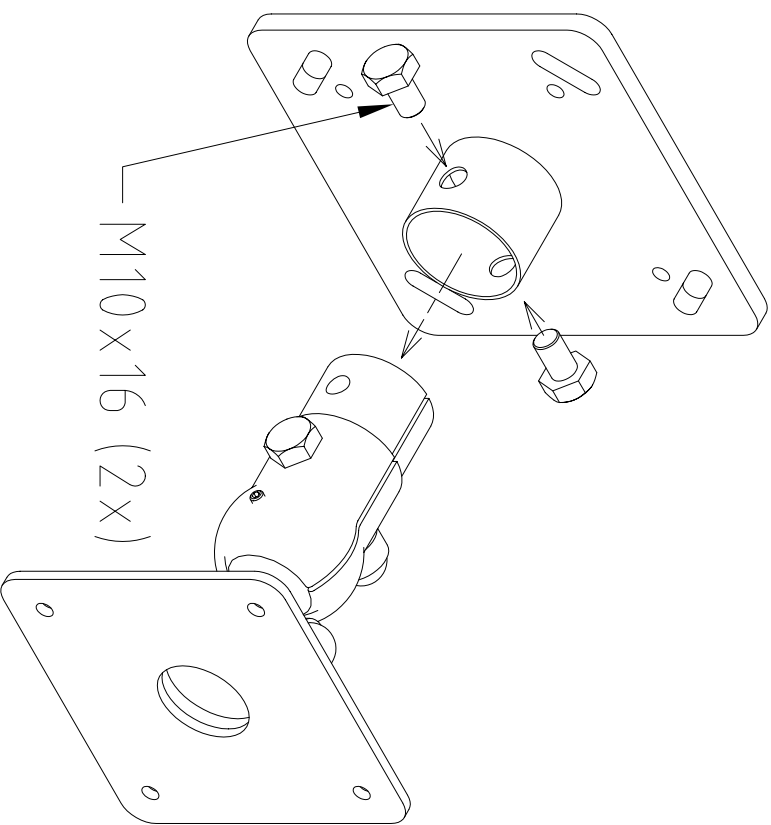
MOUNTING GUIDE

390065

1



2



© COPYRIGHT AUDIPACK
This print and the information shown hereon, is the property of AUDIPACK.
It may not be delivered to others nor reproduced for general circulation without the written consent of the AUDIPACK engineering department.



AUDIPACK
Industriestraat 2
3811 XG Amstelveen
The Netherlands
Tel. +31(0)795331671
Fax. +31(0)79533115
www.audipack.com

MOUNTING GUIDE

390065