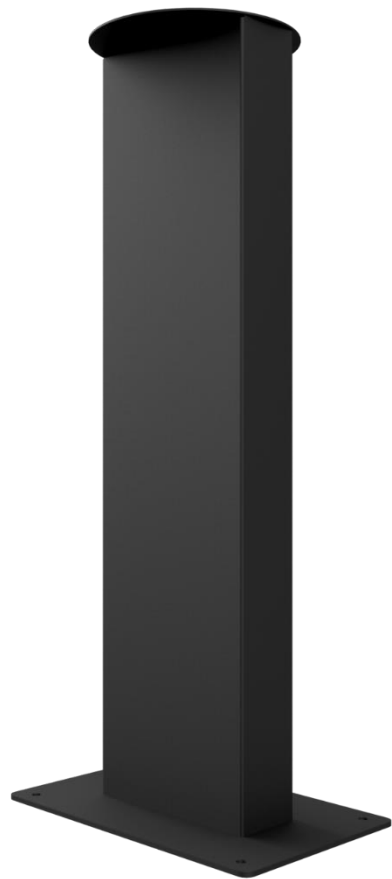
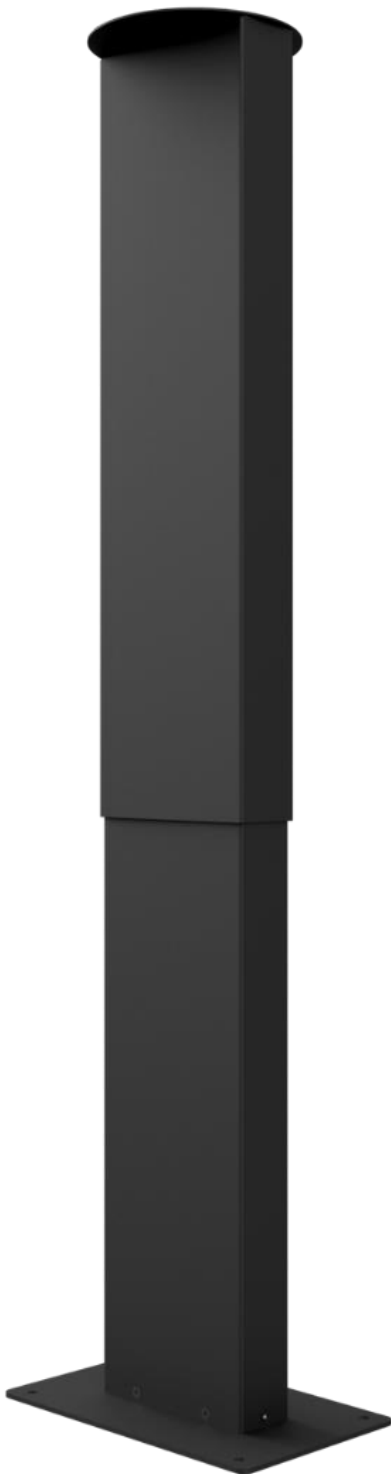


P210160

Installation manual
Montage handleiding

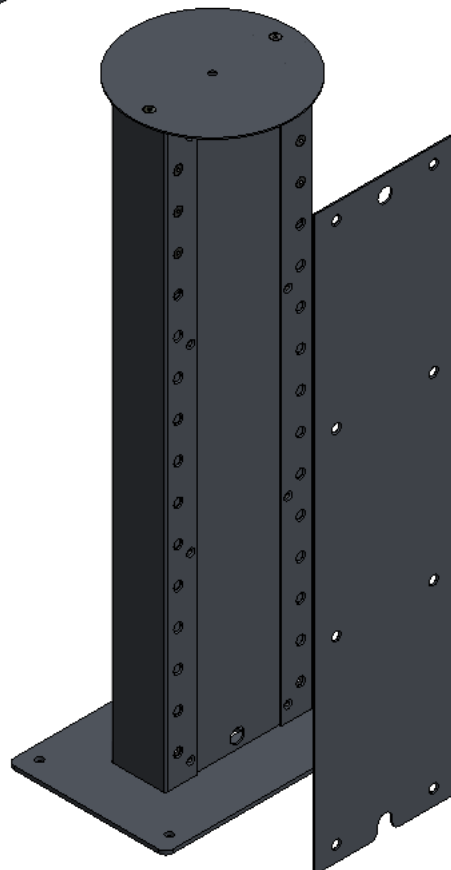
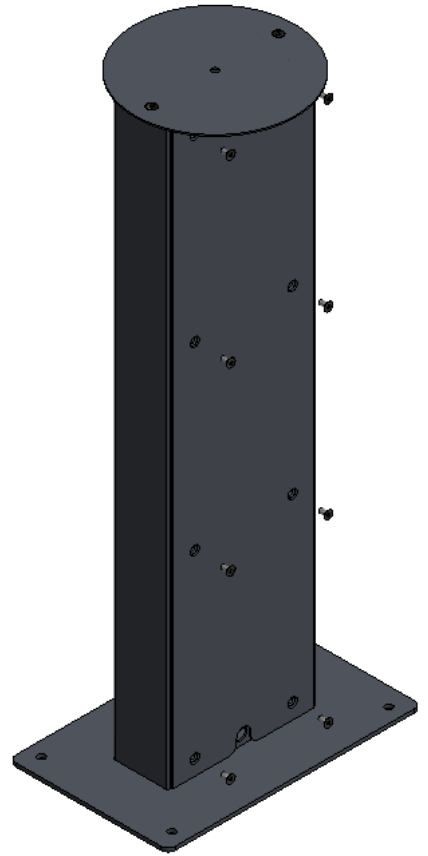
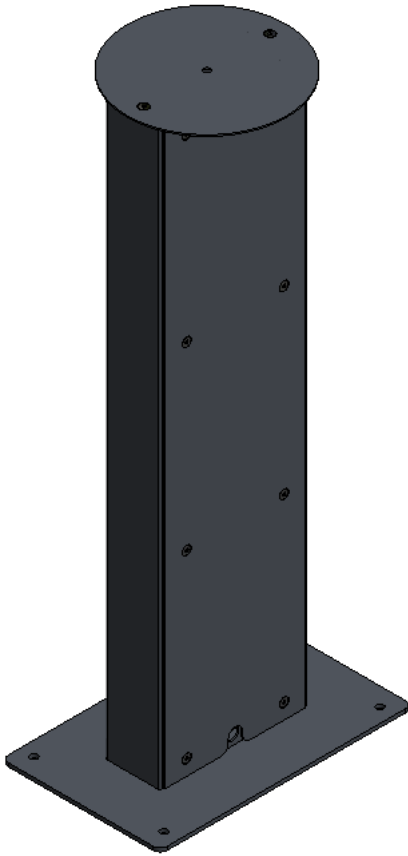


EN.

Changing height position; remove bolts and backplate as shown.

NL.

Hoogte aanpassen; verwijder bouten en paneel zoals aangegeven.

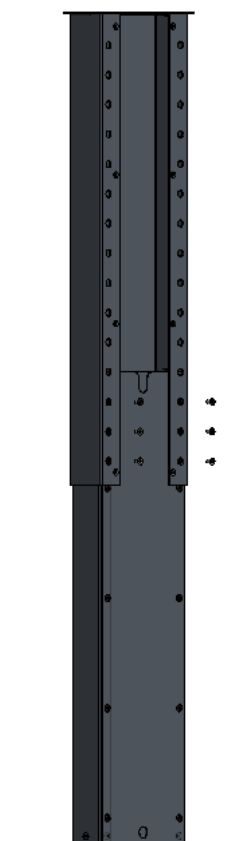
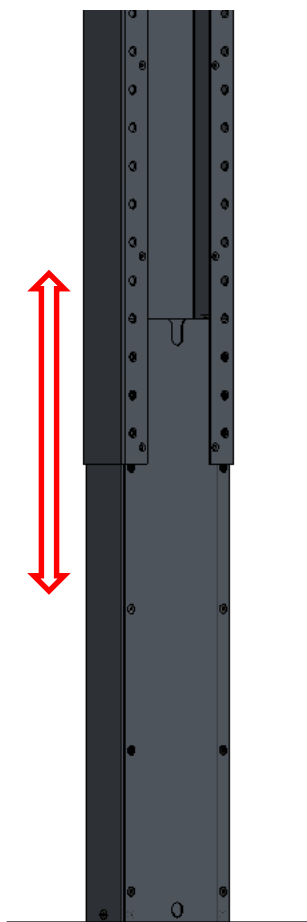
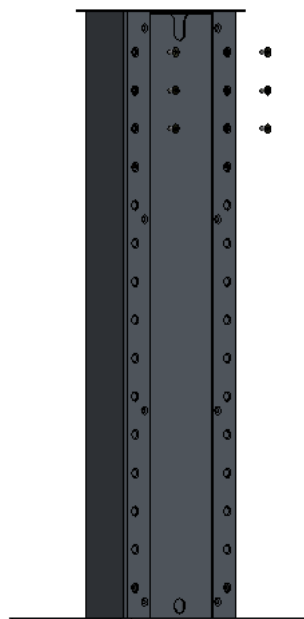
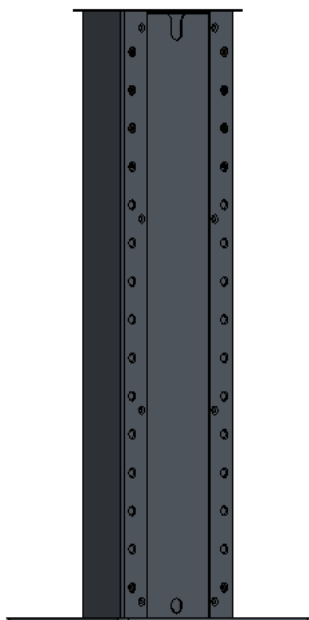


EN.

Remove 6x M6 bolts that holds outer column in place as shown. Adjust height (in steps of 50mm) min. 800mm max. 1400mm total height.

NL.

Verwijder 6x M6 bouten welke de buitenste kolom fixeren zoals weergegeven. Pas de hoogte aan (in 50mm stappen). min. 800mm max. 1400mm totaal hoogte.

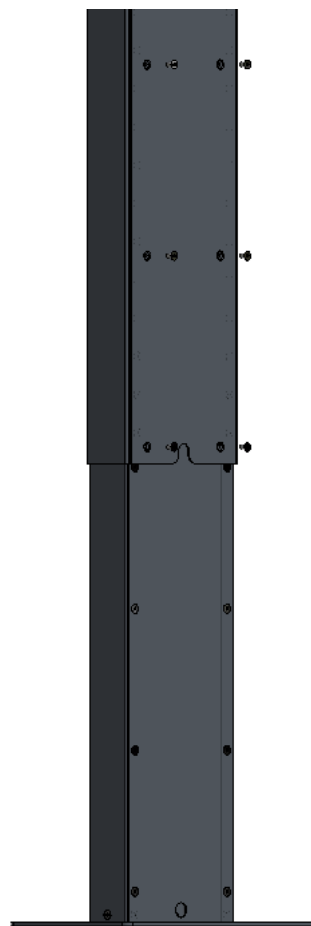
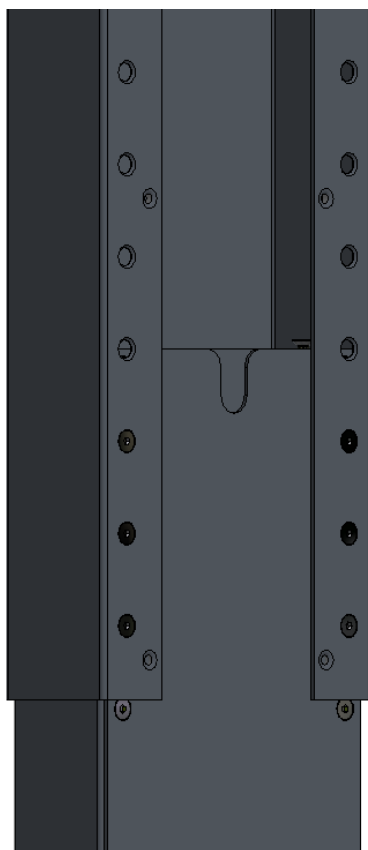


EN.

Remount all-in reverse order.

NL.

Alles vastzetten in omgekeerde volgorde.

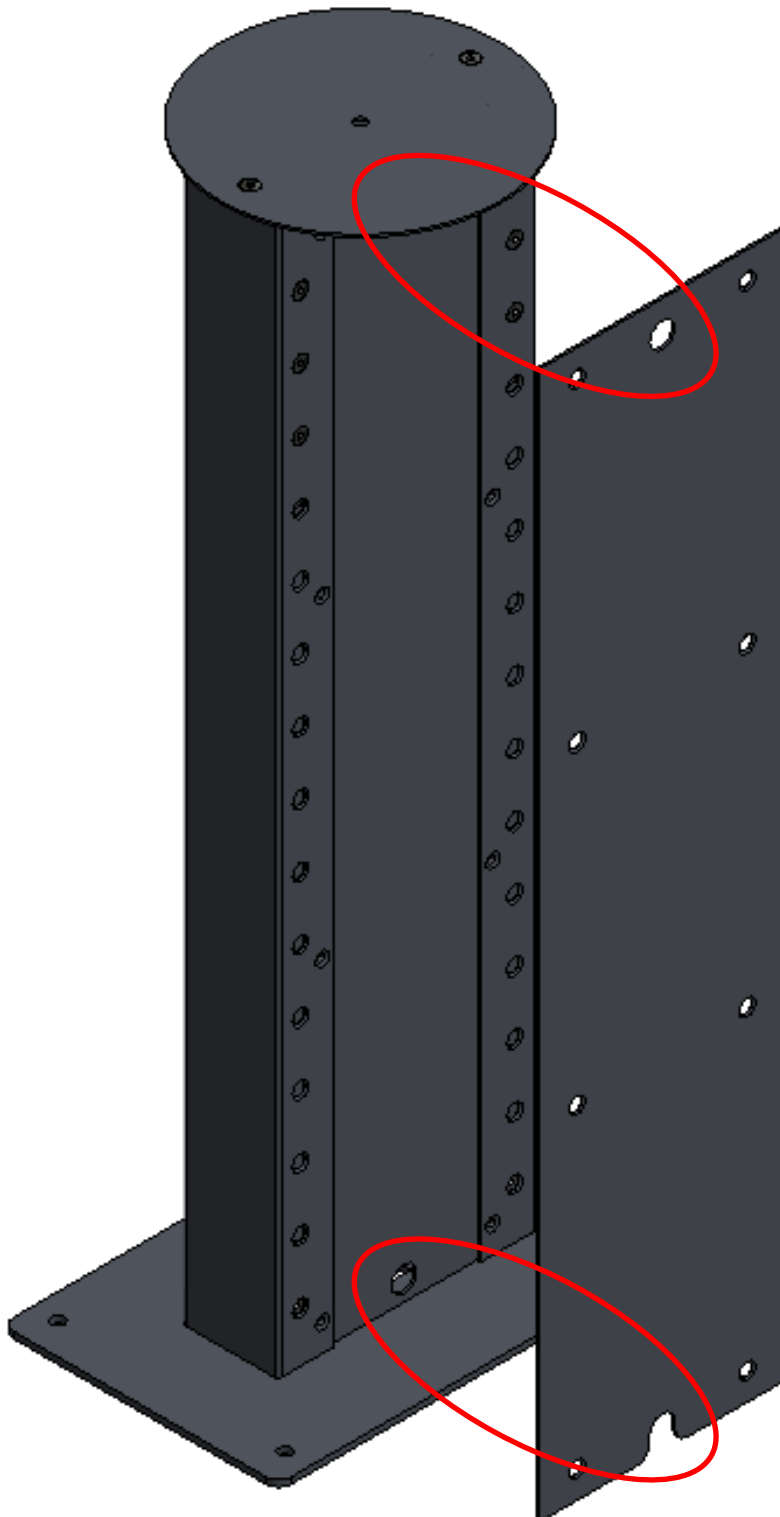


EN.

Cable feedthrough.

NL.

Kabeldoorvoer.



Audipack's general conditions of sales and delivery apply to all of Audipack's deliveries. These conditions can be downloaded from Audipack's website, www.audipack.com, or will be sent by post on request.

Audipack liefert ausschließlich unter die allgemeine Verkauf- und Lieferungsbedingungen von Audipack. Diese Bedingungen sind zum downloaden verfügbar auf die Webseite von Audipack, www.audipack.com, oder werden Ihnen auf Anfrage per Post gesendet.

Alle leveringen geschieden uitsluitend volgens de Algemene Verkoop- en Leveringsvoorwaarden van Audipack. Een afschrift hiervan kunt u downloaden van de website van Audipack, www.audipack.com, of wordt u op aanvraag gestuurd per post.

Les conditions de vente et de livraison de Audipack s'appliquent à tous les livraisons de Audipack. Cette conditions sont disponible sur le site internet de Audipack, www.audipack.com, où seront envoyé par poste sur demande.

AUDIPACK

Industriestraat 2-4
2751 GT Moerkapelle
The Netherlands

Tel: +31(0)795931671

Fax: +31(0)795933115

Email: audipack@audipack.com

www.audipack.com

Audipack reserves the right to make changes in specifications and other information contained in this document without prior written notice. The information provided herein is subject to change without notice. In no event shall Audipack be liable for any incidental, special, indirect, or consequential damages whatsoever, including but not limited to lost profits, arising out of or related to this manual or the information contained herein, even if Audipack has been advised of, known, or should have known, the possibility of such damages.