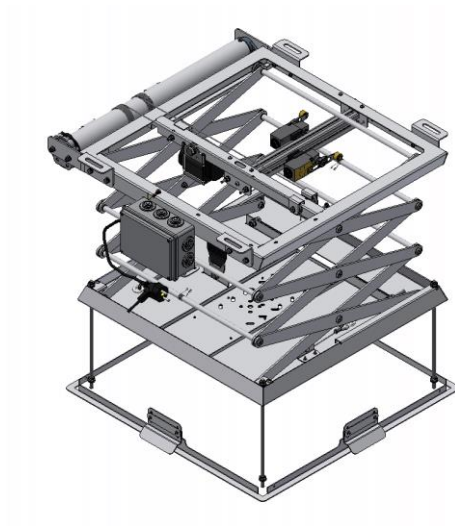


How to connect a projection screen to an Audipack ceiling lift



+



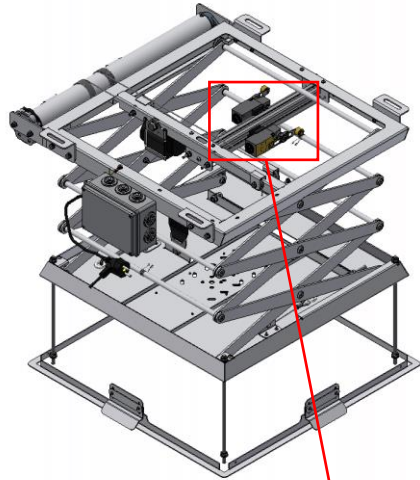
= ?



Audipack[®]

It's great to have solutions...

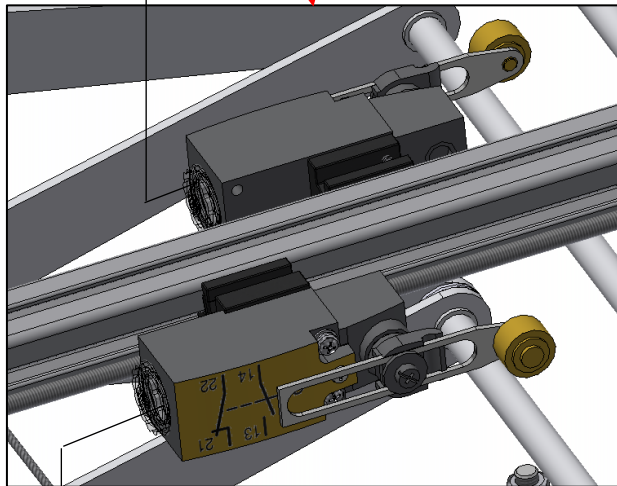
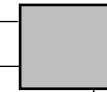
Option 1: Control lift & screen with wall mounted switch or external relay.



NO - UP

NO - Down

230 VAC



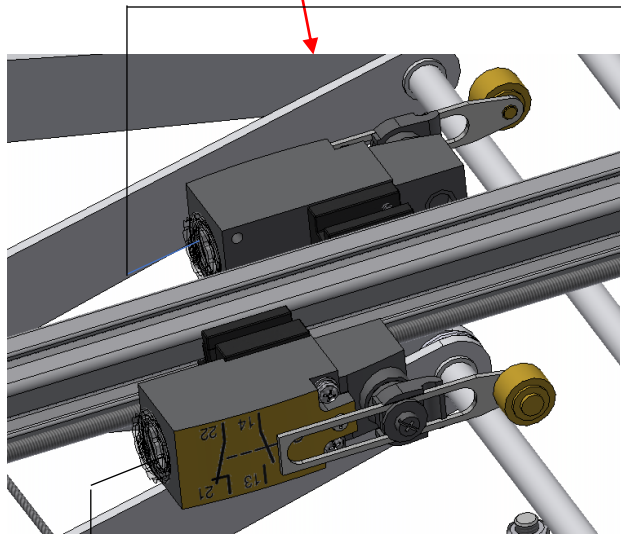
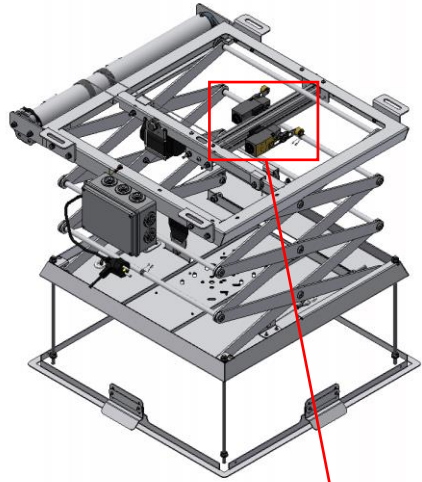
How to connect:

- Connect a cable to end-switch UP and end-switch DOWN to the NO (normally opened) side of the switches.
- Connect the DOWN switch to command DOWN of the screen control box
- Connect UP wires to the UP of the screen control.

Explanation: The end switches of the lift will activate the screen control. Use the standard external control connection of the Audipack lift to control both systems. Use an optional Audipack RF remote (261436) set if required.

Note: The end switches will permanent activate the screen control.
The screen will be activated when the lift is set to "service position".

Option 2: Control lift & screen with an Audipack screen PCB (261125)



230 VAC



How to connect:

- Connect a cable to end-switch UP and end-switch DOWN to the NO (normally opened) side of the switches.
- Connect the DOWN switch to command DOWN of the screen control box
- Connect UP wires to the UP of 261125 PCB for the screen.

Explanation: The end switches of the lift will activate the screen control. Use the standard external control connection of the Audipack lift to control both systems. Use an optional Audipack RF remote (261436) set if required.

Note: The end switches will permanent activate the screen control.