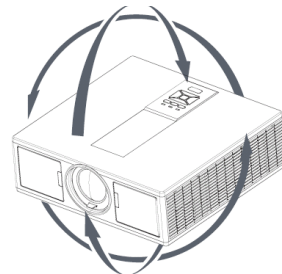


MOUNTING GUIDE

MONTAGE HANDLEIDNG

QFIX-4, QFIX-5 & QFIX-55




360° ORIENTATION




Audipack[®]

It's great to have solutions...


LOAD AND RANGE – BELASTING EN BEREIK

	QFIX-4	Range Bereik	280 x 280 mm 197 x 345 mm 317 x 183 mm
---	--------	-----------------	--



	QFIX-5	Range Bereik	360 x 360 mm 275 x 430 mm 400 x 285 mm
---	--------	-----------------	--



	QFIX-55	Range Bereik	474 x 474 mm 309 x 558 mm 308 x 590 mm
---	---------	-----------------	--





What's in de box?

400670 (All QFIX's - 1X) Bag no.1			
QTY	PART	DESCRIPTION	PART NUMBER
4		Bolt M4 x 25 - DIN 7985 H	
4		Bolt M5 x 25 - DIN 7985 H	
4		Bolt M6 x 25 - DIN 7985 H	
4		Bolt M8 x 25 - DIN 7985 H	
4		Lockwasher Ø 4 mm - DIN 127	
4		Lockwasher Ø 5 mm - DIN 127	
4		Lockwasher Ø 6 mm - DIN 127	
4		Lockwasher Ø 8 mm - DIN 127	
4		Washer Ø 4 mm - DIN 522	4,3 x 12 x 1,25
4		Washer Ø 5 mm - DIN 522	5,3 x 15 x 1,25
4		Washer Ø 6 mm - DIN 522	6,4 x 18 x 1,5
4		Washer Ø 8 mm - DIN 125	
4		Shoulder washer M4	440180
4		Shoulder washer M5	440181
4		Shoulder washer M6	440182
4		Shoulder washer M8	440183
4		SPACER	712289

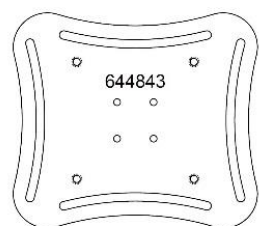
Wat zin er in de doos?

400671 (All QFIX's - 1X) Bag no.2			
QTY	PART	DESCRIPTION	PART NUMBER
4		NUT CAP	370022
4		Bolt M6 x 25 - DIN 603	
4		Washer M6 - DIN 522	6,4 x 20 x 2
4		Locking nut - DIN 985	
4		Stud M/F M6 x15	440239
4		Washer M6 - DIN 522	6,4 x 20 x 2
4		Washer Ø 6 mm - DIN 125	
4		Lockwasher Ø 6 mm - DIN 127	
4		Bolt M6 x 16 - DIN 933	

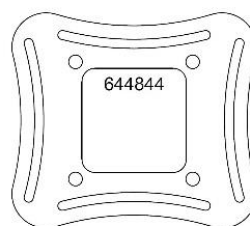
400672 (QFIX-4) Bag no.3			
QTY	PART	DESCRIPTION	PART NUMBER
4		ARM	644845

400673 (QFIX-5 - 1X) or (QFIX-55 - 2X) Bag no.3			
QTY	PART	DESCRIPTION	PART NUMBER
4		ARM	644879

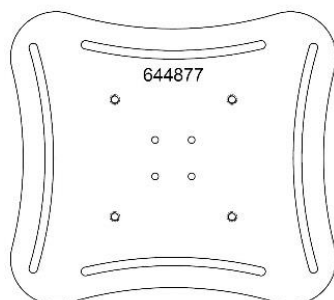
400677 (QFIX-55 - 1X) Bag no.4			
QTY	PART	DESCRIPTION	PART NUMBER
4		Locking nut - DIN 985	
4		Bolt M8 x 25 - DIN 933	
8		Washer Ø 8 mm - DIN 125	



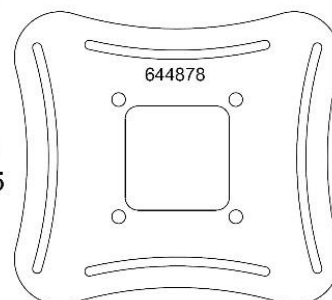
QFIX-4



(1X)



QFIX-5
QFIX-55



MOUNTING POSITION - MONTAGEWIJZE

CENTERED

The centre of projector mount should be mounted centered in relation to the projector for the following products:

Het center van de projector en van de projectorbeugel moeten in lijn gemonteerd voor de onderstaande producten:

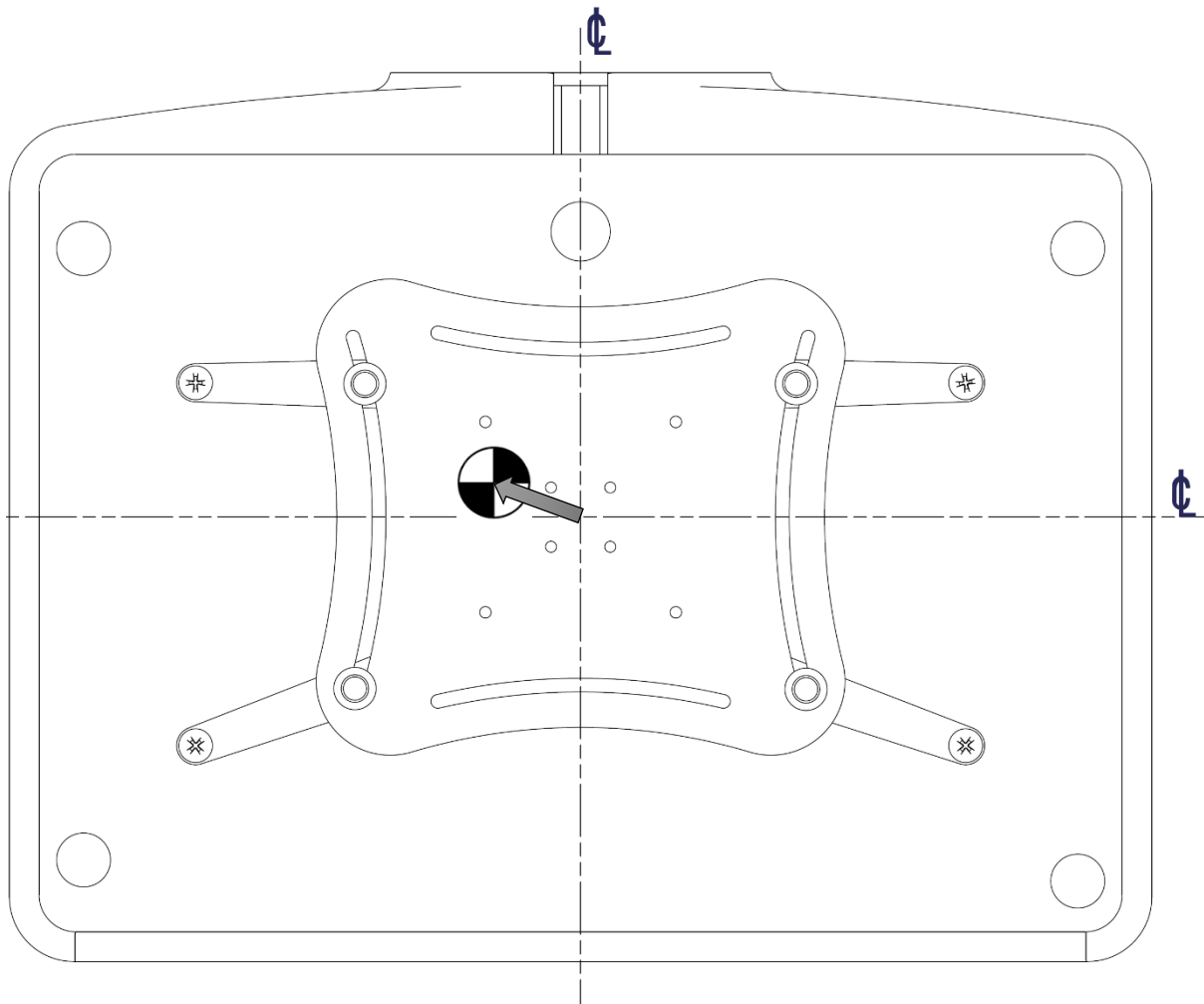
- ✓ Projector stack frames (PSF)
- ✓ Projector ceiling lift (PCL)
- ✓ Mirror Kit (MKT)

CENTER OF GRAVITY (COG)

It is recommended to install the centre of gravity of the projector in the centre of the projector bracket following products:

Het wordt aanbevolen om het zwaartepunt van de projector in het center van de projectorbeugel te monteren.

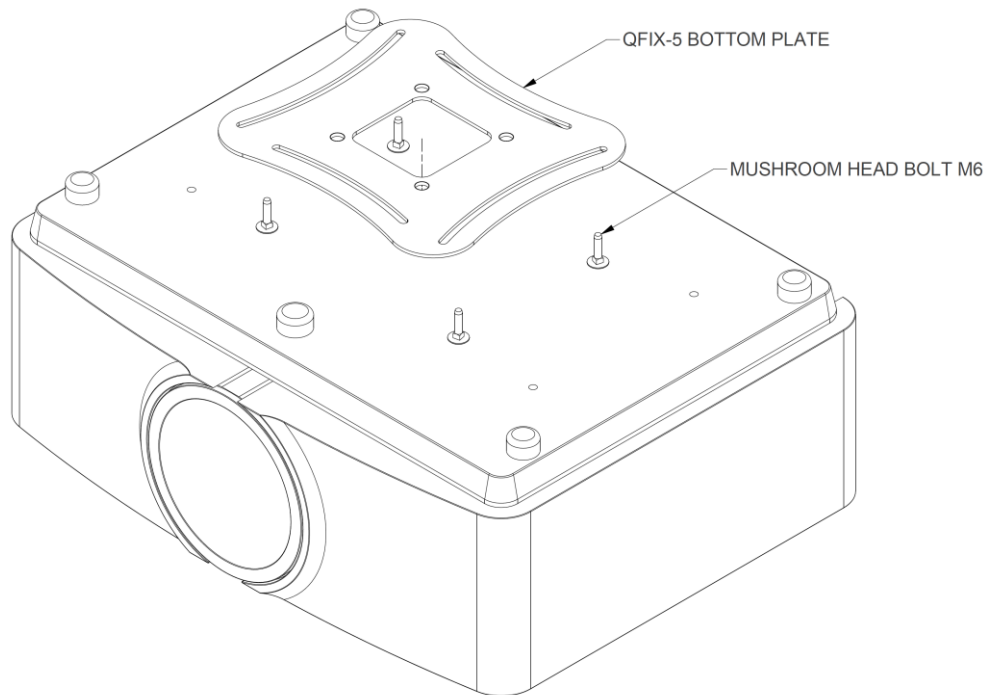
- ✓ Ceiling mounts UTS-series
- ✓ Truss mounts UTC-series



MOUNTING STEPS – MONTAGE VOLGORDE

STEP 1

Put the bottom plate and mushroom head bolts M6 as in the picture.



STEP 2a

This step only reflects to model QFIX-55.

Bolt the two arms hand tight together and go further with step 2B.

Deze stap geldt alleen voor model QFIX-55.

Bout de twee armen handvast op elkaar en ga verder met stap 2B.



MOUNTING STEPS – MONTAGE VOLGORDE

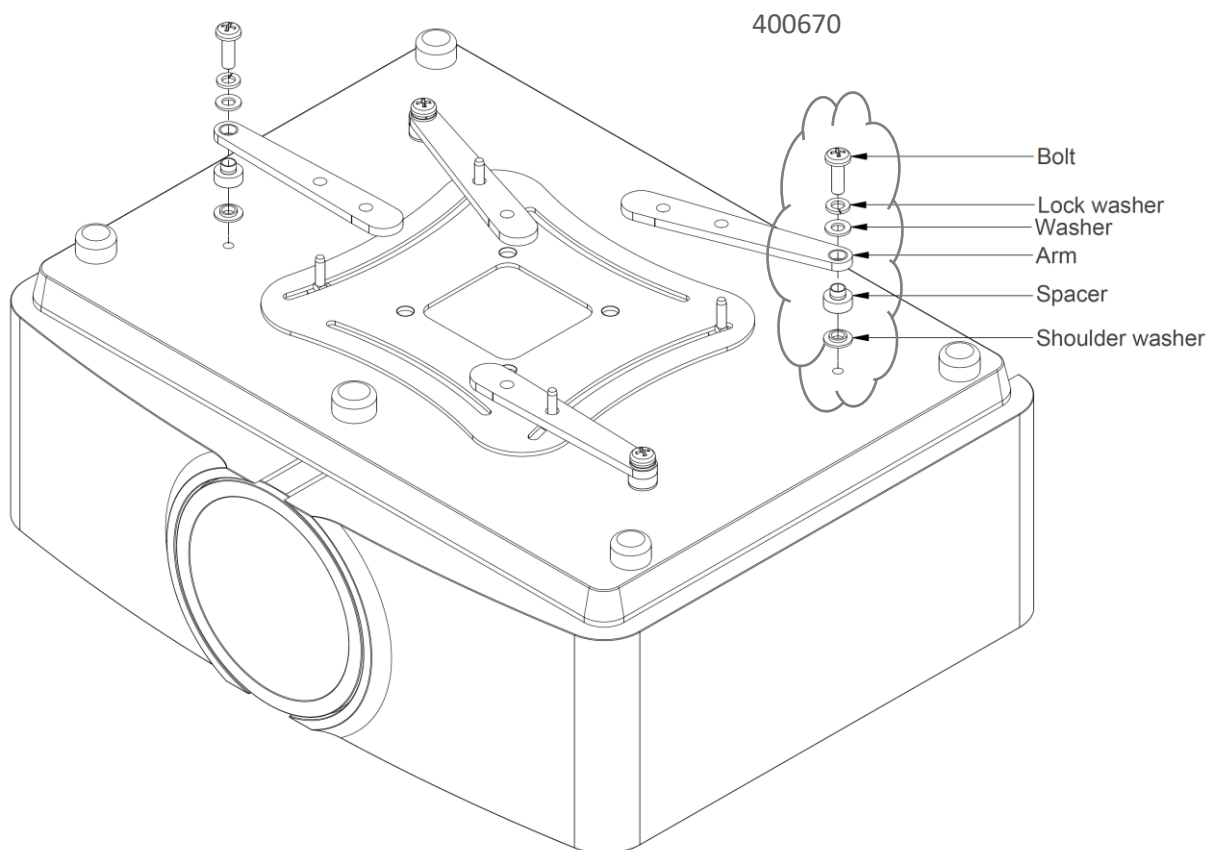
STEP 2b

Determine the size of the projector's thread fastener and use the relevant components for M4, M5, M6 or M8, from bag 1 (400670).

Mount the arms on the projector, as in the image.

Bepaal de grootte van de schroefdraadbevestiging van de projector en gebruik de desbetreffende onderdelen voor M4, M5, M6 of M8, uit zakje 1 (400670).

Monteer de armen op de projector, zoals in de afbeelding.

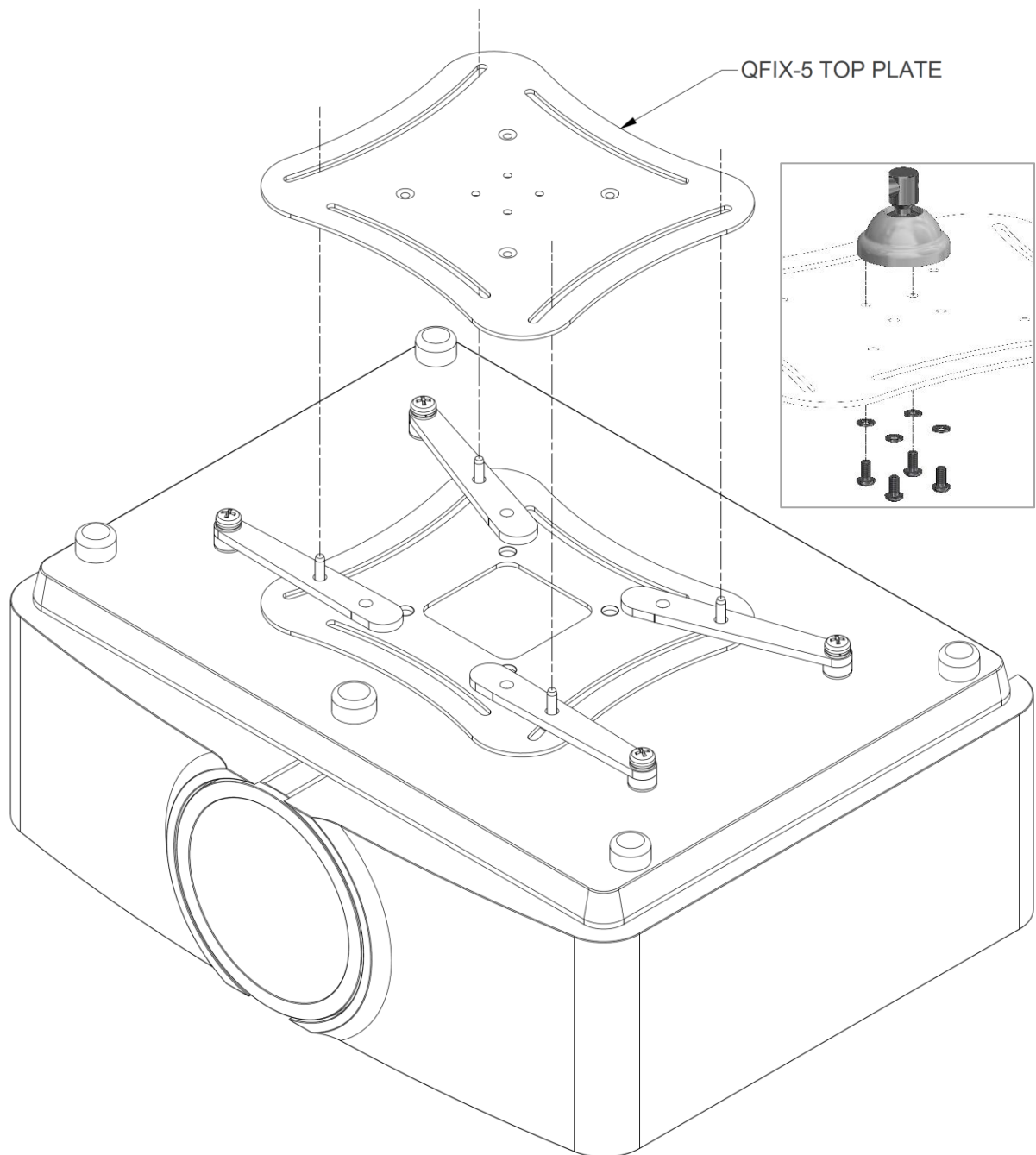


MOUNTING STEPS – MONTAGE VOLGORDE

STEP 3

Put the top plate on the arms.

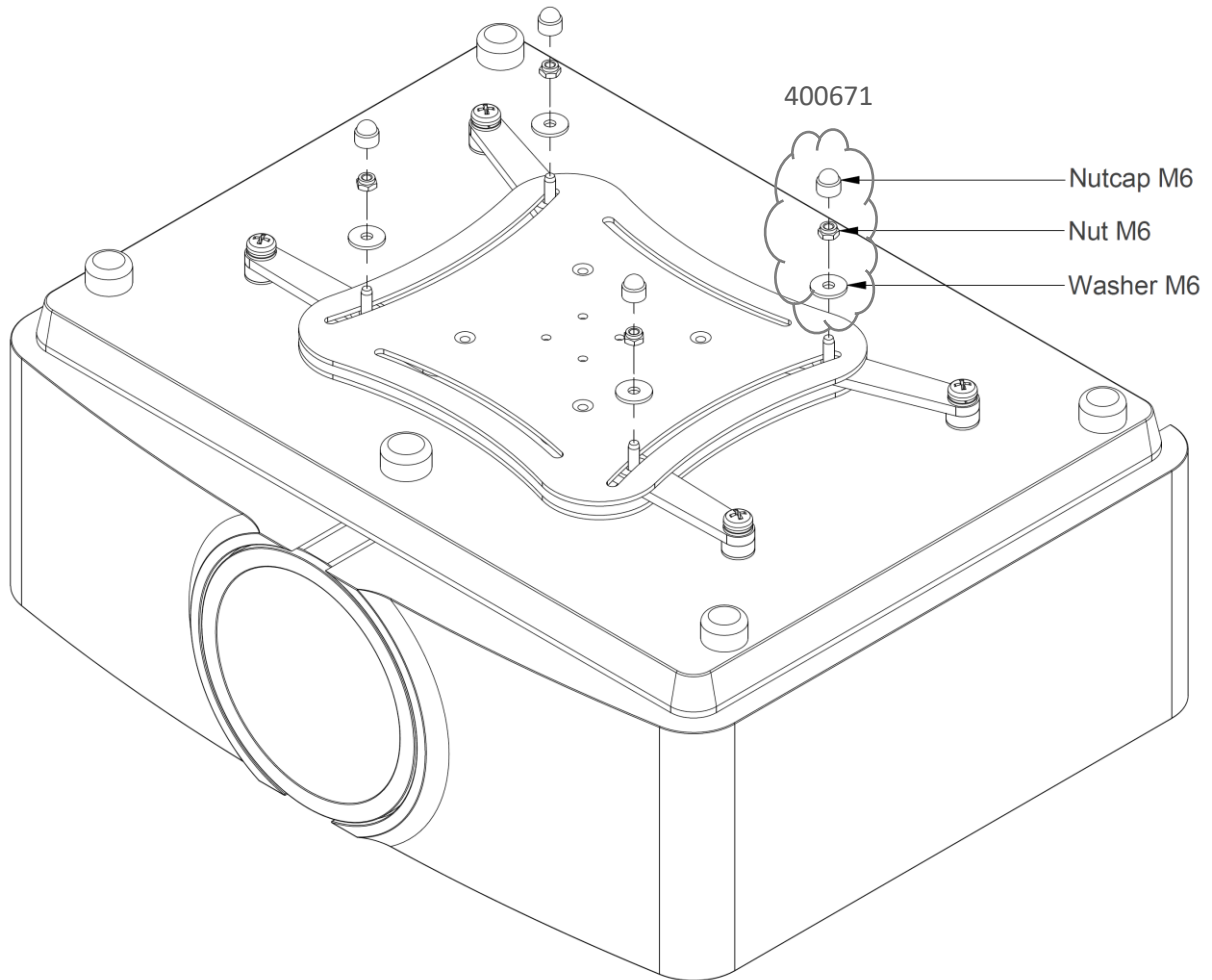
If a BJ-1 is used, mount the shell on the top plate before.



MOUNTING STEPS – MONTAGE VOLGORDE

Step 4

Mount top plate with washers and M6 self-locking nuts and put the nutcaps on top.

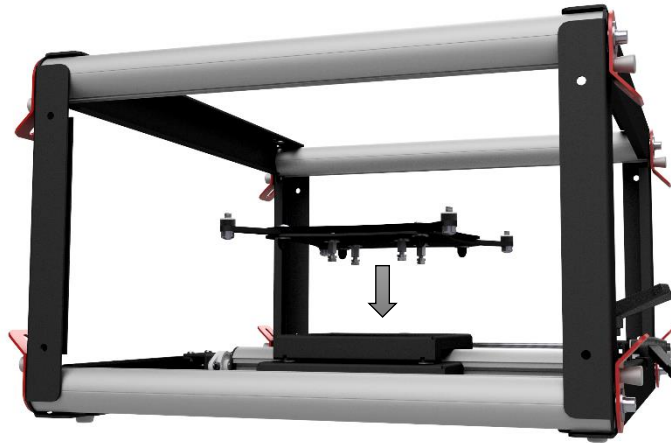


MOUNTING SAMPLES

Tube set (without studs)



Stackframe (with studs)



Projector ceiling lift (with studs)



Audipack's general conditions of sales and delivery apply to all of Audipack's deliveries. These conditions can be downloaded from Audipack's website, www.audipack.com, or will be send by post on request.

Audipack liefert ausschließlich unter die allgemeinen Verkauf- und Lieferungsbedingungen von Audipack. Diese Bedingungen sind zum Downloaden verfügbar auf die Webseite von Audipack, www.audipack.com, oder werden Ihnen auf Anfrage per Post gesendet.

Alle leveringen geschieden uitsluitend volgens de Algemene Verkoop- en Leveringsvoorwaarden van Audipack. Een afschrift hiervan kunt u downloaden van de website van Audipack, www.audipack.com, of wordt u op aanvraag gestuurd per post.

Les conditions de Vente et de livraison de Audipack s'appliquent à tous les livraisons de Audipack. Ces conditions sont disponibles sur le site internet de Audipack, www.audipack.com, où seront envoyé par poste sur demande.

AUDIPACK
Industriestraat 2-4
2751 GT Moerkapelle
The Netherlands

Tel: +31(0)795931671
Fax: +31(0)795933115
Email: audipack@audipack.com
www.audipack.com

Audipack reserves the right to make changes in specifications and other information contained in this document without prior written notice. The information provided herein is subject to change without notice. In no event shall Audipack be liable for any incidental, special, indirect, or consequential damages whatsoever, including but not limited to lost profits, arising out of or related to this manual or the information contained herein, even if Audipack has been advised of, known, or should have known, the possibility of such damages.