

# Vertical Ceiling Lift System

## Verticale plafond lift systemen

Installation manual  
Montage handleiding

### FCL-XXX





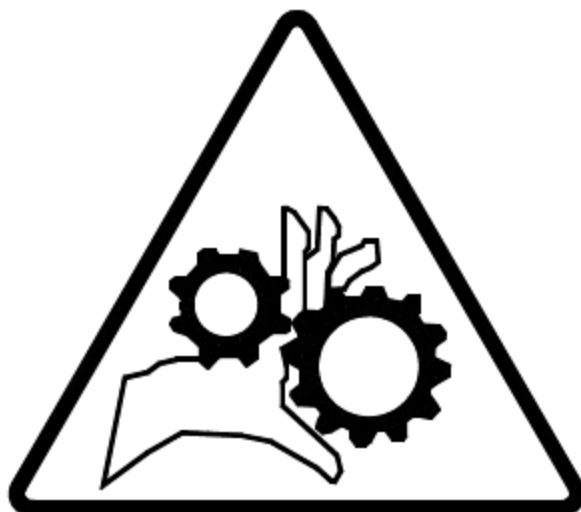
**AUDIPACK**  
Industriestraat 2-4  
2751 GT Moerkapelle  
the Netherlands  
Tel: +31(0)795931671  
Fax: +31(0)795933115  
Email: [audipack@audipack.com](mailto:audipack@audipack.com)  
[www.audipack.com](http://www.audipack.com)

**WARNING:**

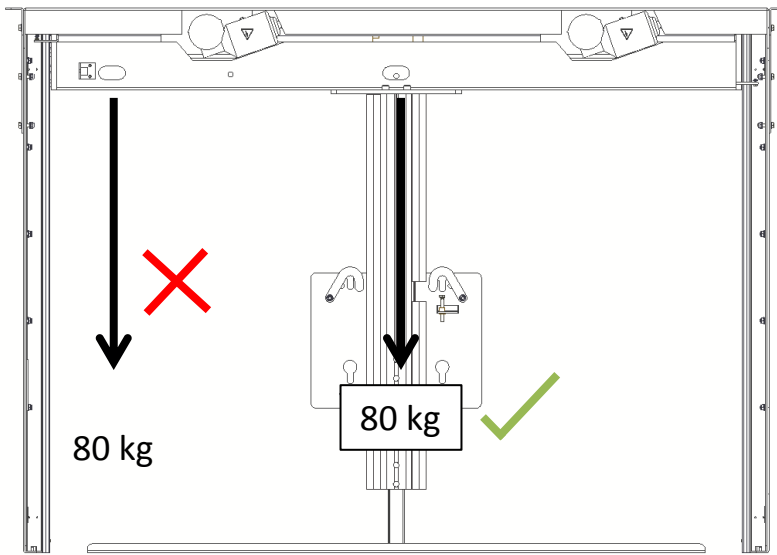
Possible damage or differences (from the manual instructions) caused by the installation which may influence the functioning of the lift-system are to be reported to the dealer (supplier) and must be repaired/fixed immediately.

**Attention:**

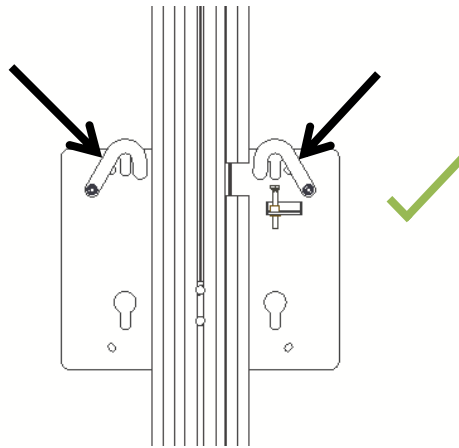
Beware of fingers, tools, hairs and clothing when installing the system.  
When testing the system beware of the silent and strong motor drive!



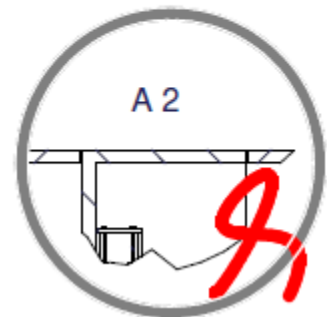
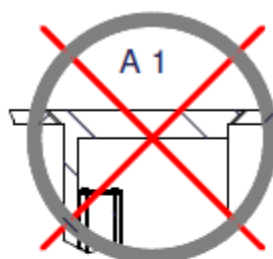
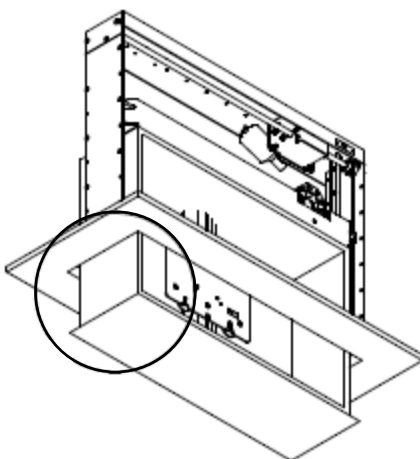
# Attention!

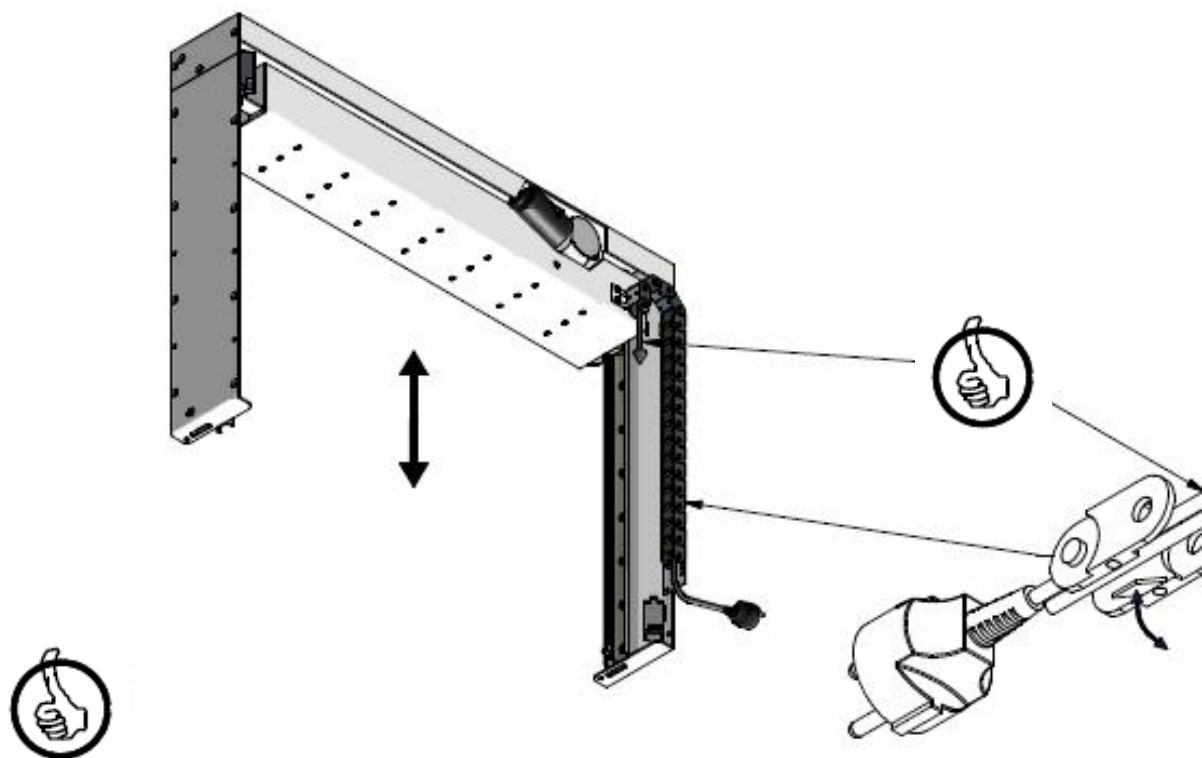
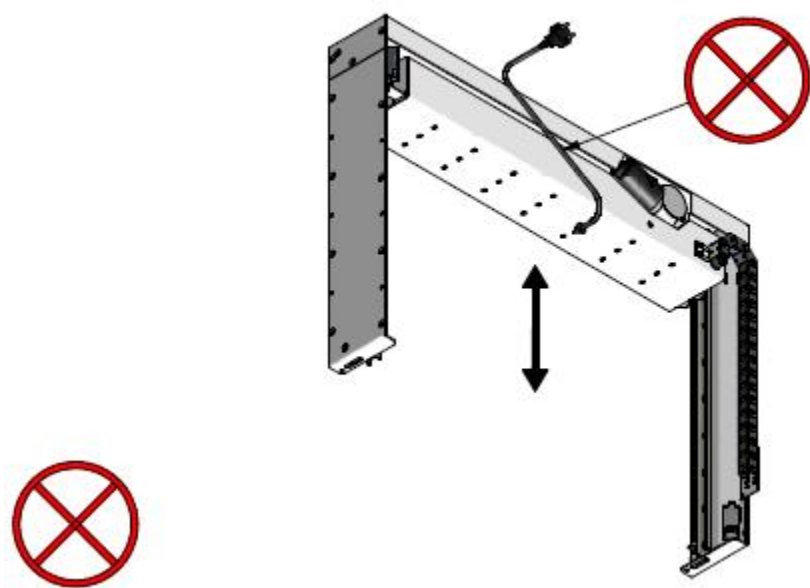


Only in the middle



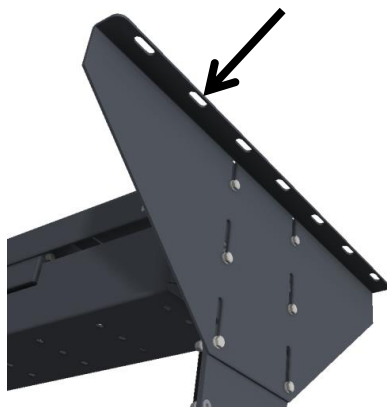
Safety Hook





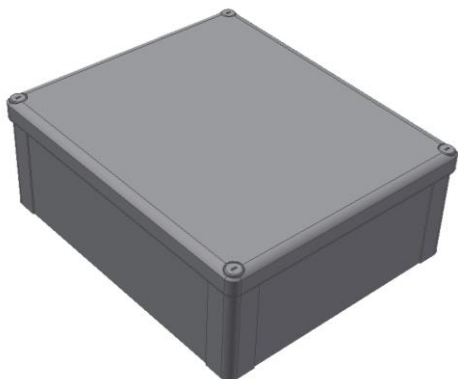
1

Mount the system with minimal 4-6 pieces M8 bolts (8.8 quality) to a rigid ceiling. Be sure the mechanism is levelled horizontally.



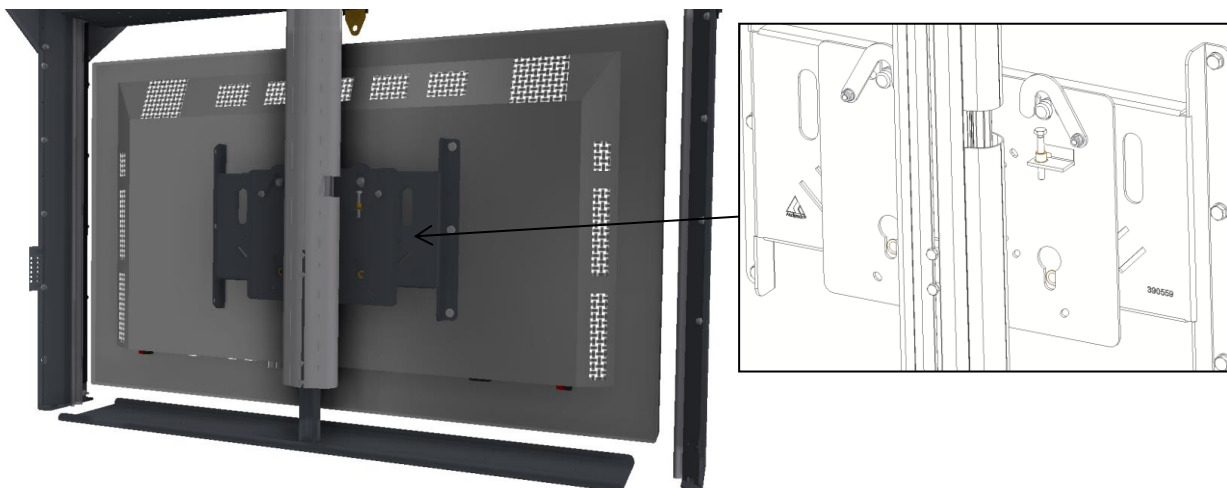
2

Place the junction box and plug in the 88-264 VAC 47-63 Hz power supply.  
*(For wiring check the electric equipment page)*



3

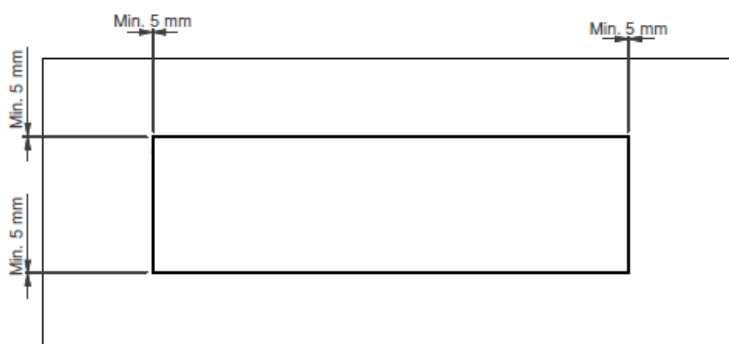
Mount the monitor with the supplied mounting material to the front of the lift mechanism.



4

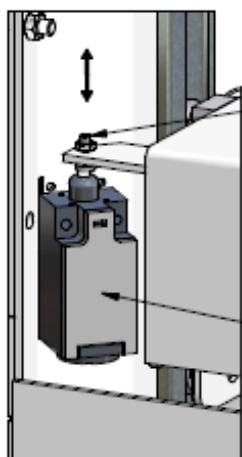
Underneath the monitor a piece of the false ceiling can be mounted. On the black frame the ceiling piece can be fitted.

*!Be sure of 5 mm space between the fixed and movable ceiling piece!*



5

Adjusting limit switches lift

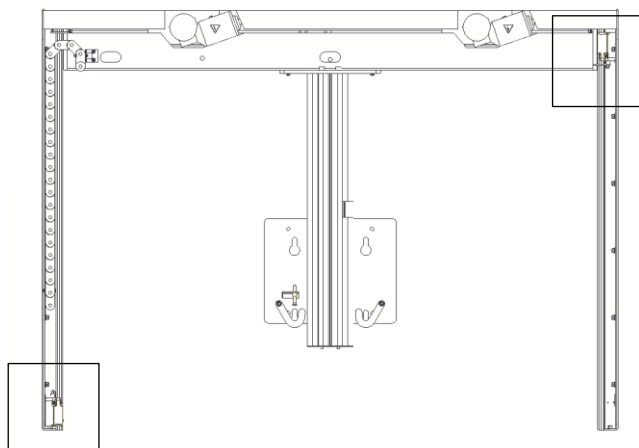


A (Lower position)

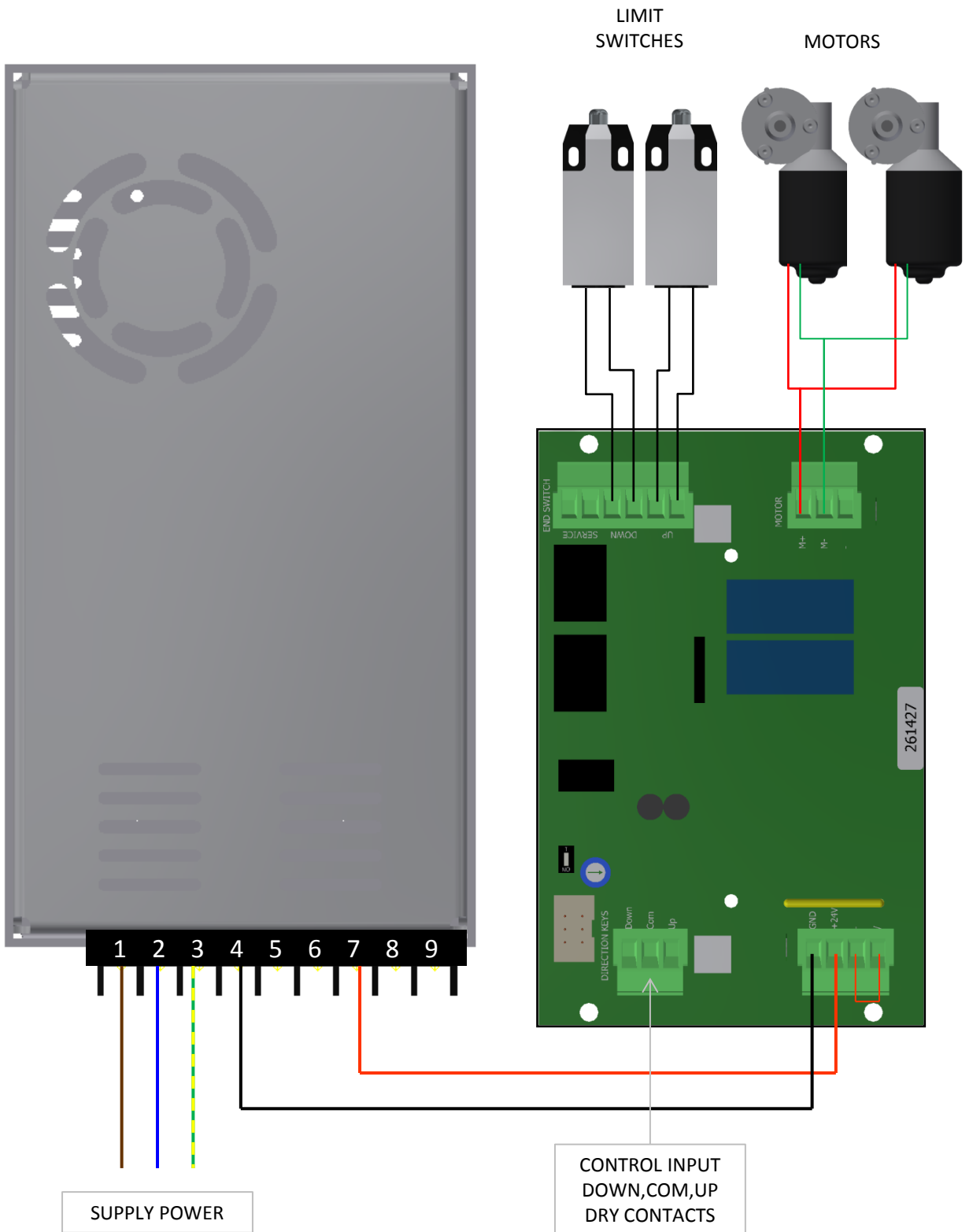
B (Upper position)

1. Untighten M4 nut
2. Adjust M4 screw
3. Tighten M4 nut again

Limit switch



# POWER SUPPLY AND MOTOR CONTROL



## Terminal Pin No. Assignment :

Pin No.	Assignment	Pin No.	Assignment
1	AC/L	4~6	DC OUTPUT -V
2	AC/N	7~9	DC OUTPUT +V
3	FG $\perp$		

**Audipack's general conditions of sales and delivery apply to all of Audipack's deliveries. These conditions can be downloaded from Audipack's website, [www.audipack.com](http://www.audipack.com), or will be sent by post on request.**

**Audipack liefert ausschließlich unter die allgemeine Verkauf- und Lieferungsbedingungen von Audipack. Diese Bedingungen sind zum downloaden verfügbar auf die Webseite von Audipack, [www.audipack.com](http://www.audipack.com), oder werden Ihnen auf Anfrage per Post gesendet.**

**Alle leveringen geschieden uitsluitend volgens de Algemene Verkoop- en Leveringsvoorwaarden van Audipack. Een afschrift hiervan kunt u downloaden van de website van Audipack, [www.audipack.com](http://www.audipack.com), of wordt u op aanvraag gestuurd per post.**

**Les conditions de vente et de livraison de Audipack s'appliquent à tous les livraisons de Audipack. Cette conditions sont disponible sur le site internet de Audipack, [www.audipack.com](http://www.audipack.com), où seront envoyé par poste sur demande.**

## AUDIPACK

Industriestraat 2-4  
2751 GT Moerkapelle  
The Netherlands

Tel: +31(0)795931671

Fax: +31(0)795933115

Email: [audipack@audipack.com](mailto:audipack@audipack.com)

[www.audipack.com](http://www.audipack.com)

Audipack reserves the right to make changes in specifications and other information contained in this document without prior written notice. The information provided herein is subject to change without notice. In no event shall Audipack be liable for any incidental, special, indirect, or consequential damages whatsoever, including but not limited to lost profits, arising out of or related to this manual or the information contained herein, even if Audipack has been advised of, known, or should have known, the possibility of such damages.