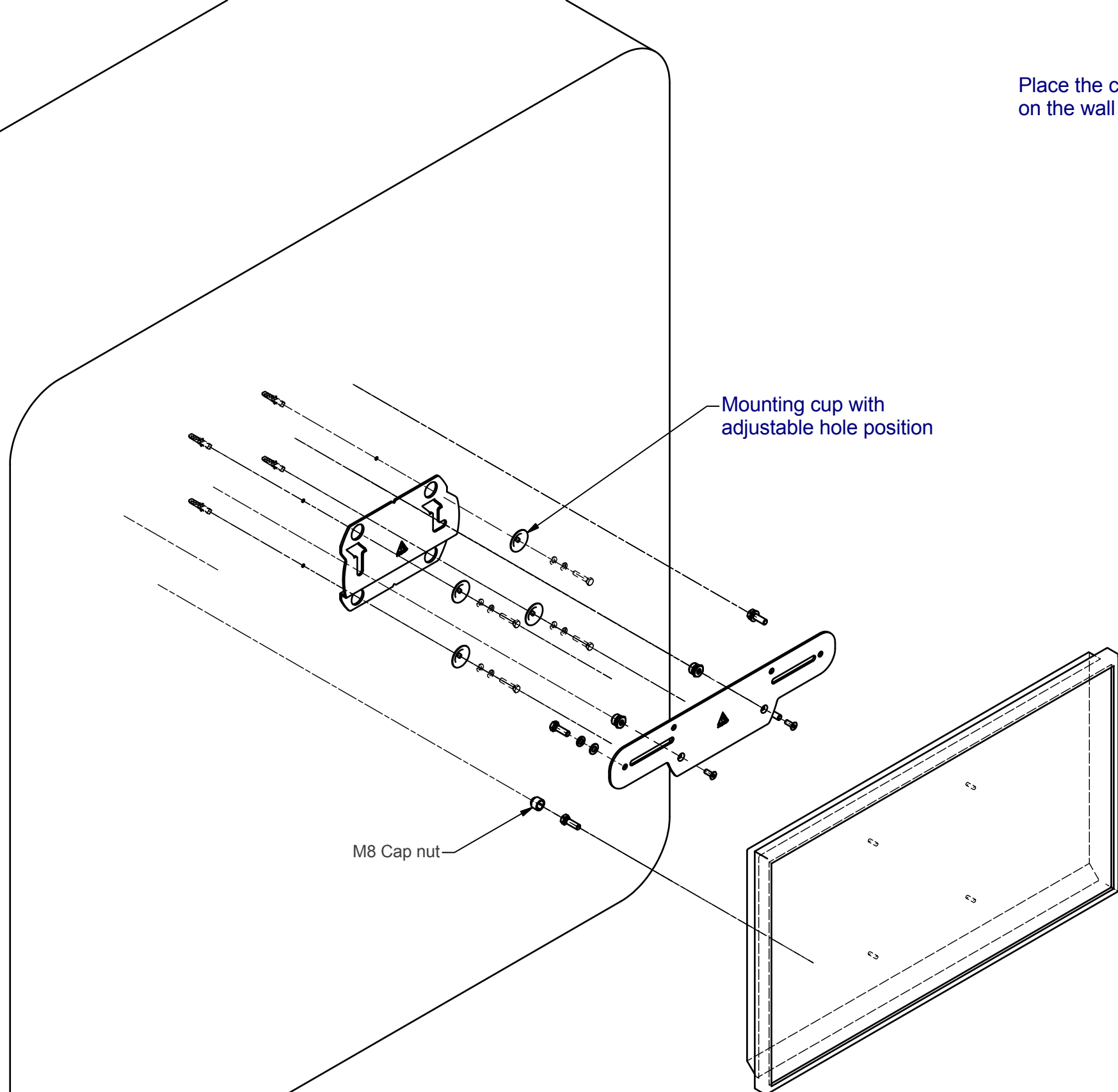
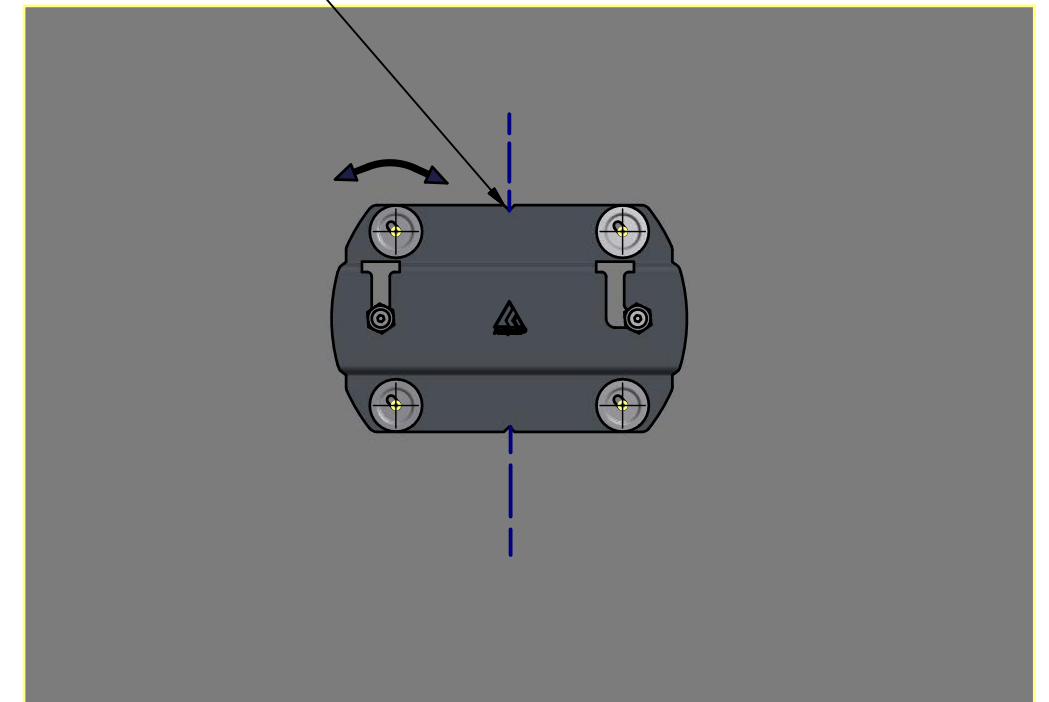




Place the caps on top plate over vertical line on the wall for easier alignment.




Mounting cup with adjustable hole position

M8 Cap nut

4x	CONCRETE		WOOD	
	BETON		HOLZ	
	BÉTON		BOIS	
	BETON	DIN 16168 - M5X...	HOUT	DIN 571 - M6X...

NOTE: All dimensions are ±..., in mm and subject to change

<p>© COPYRIGHT AUDIPACK This print and the information shown thereon, is the property of AUDIPACK. It may not be delivered to others nor reproduced for general circulation without the written consent of the AUDIPACK engineering department.</p>		<p>AUDIPACK Industriestraat 2-4 2751 GT Moerkapelle the Netherlands Tel: +31(0)795931671 Fax: +31(0)795933115 www.audipack.com</p>
<p>MANUAL FWM-V402_presentation</p>		<p>FLAT PANEL WALL MOUNT VESA 200/400</p>

Dimensions are indications, not to be used for any preparations. No rights can be derived from the above dimensions.