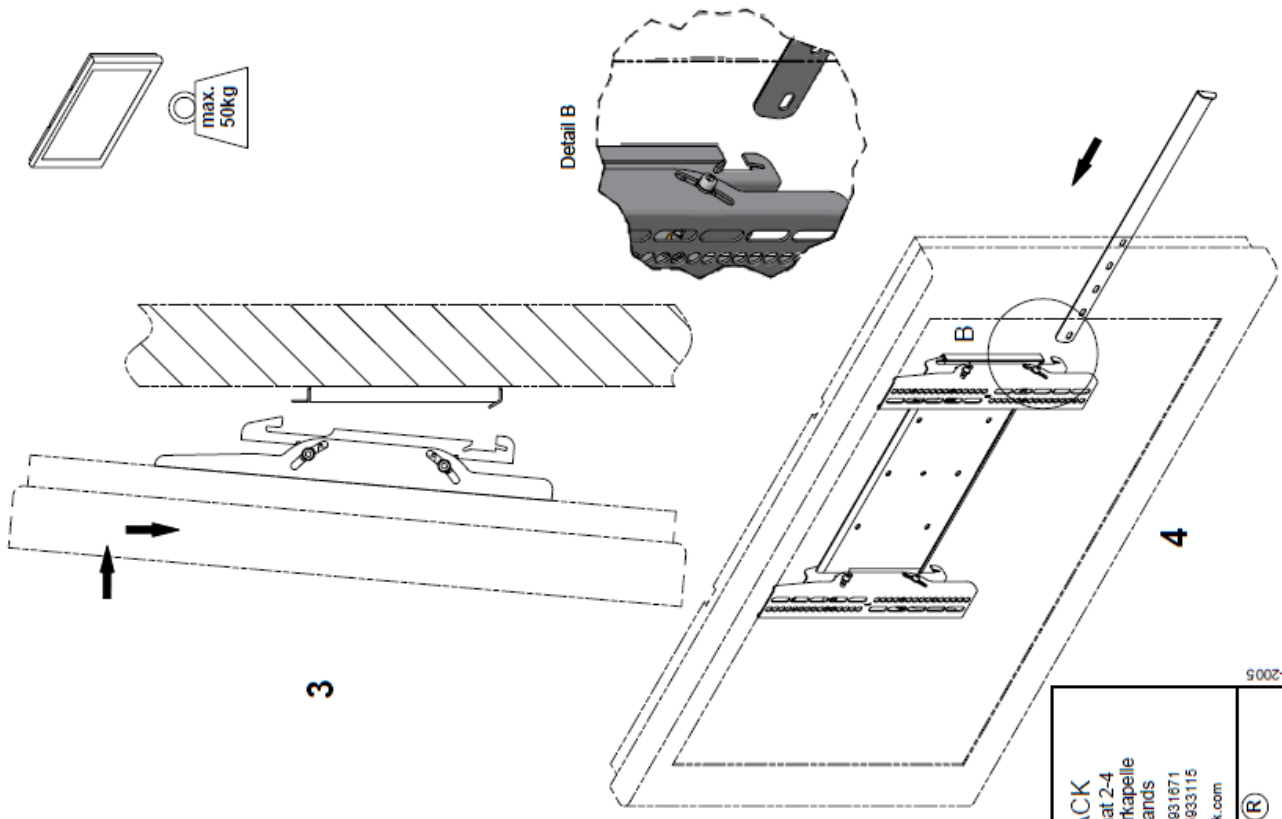
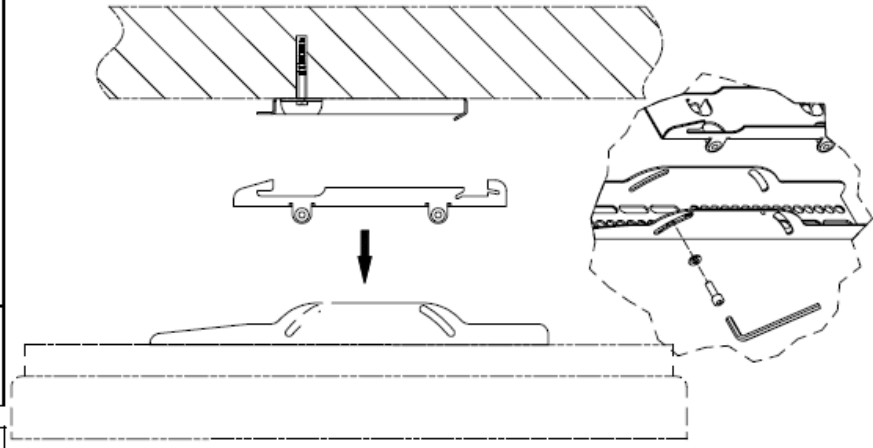
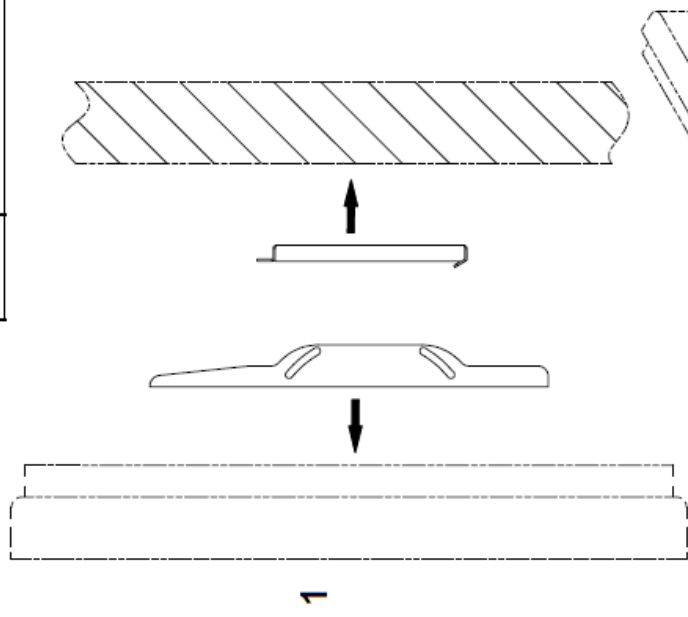


Concrete:	Concrete:
Beton	Beton
Béton	Béton
Beton	Beton
6X	6X
DIN 16168 – M6x60	DIN 571 – M6 x 60 4.6

Wood	Wood
Holz	Holz
Bois	Bois
Hout	Hout
6X	6X
DIN 16168 – M6x60	DIN 571 – M6 x 60 4.6



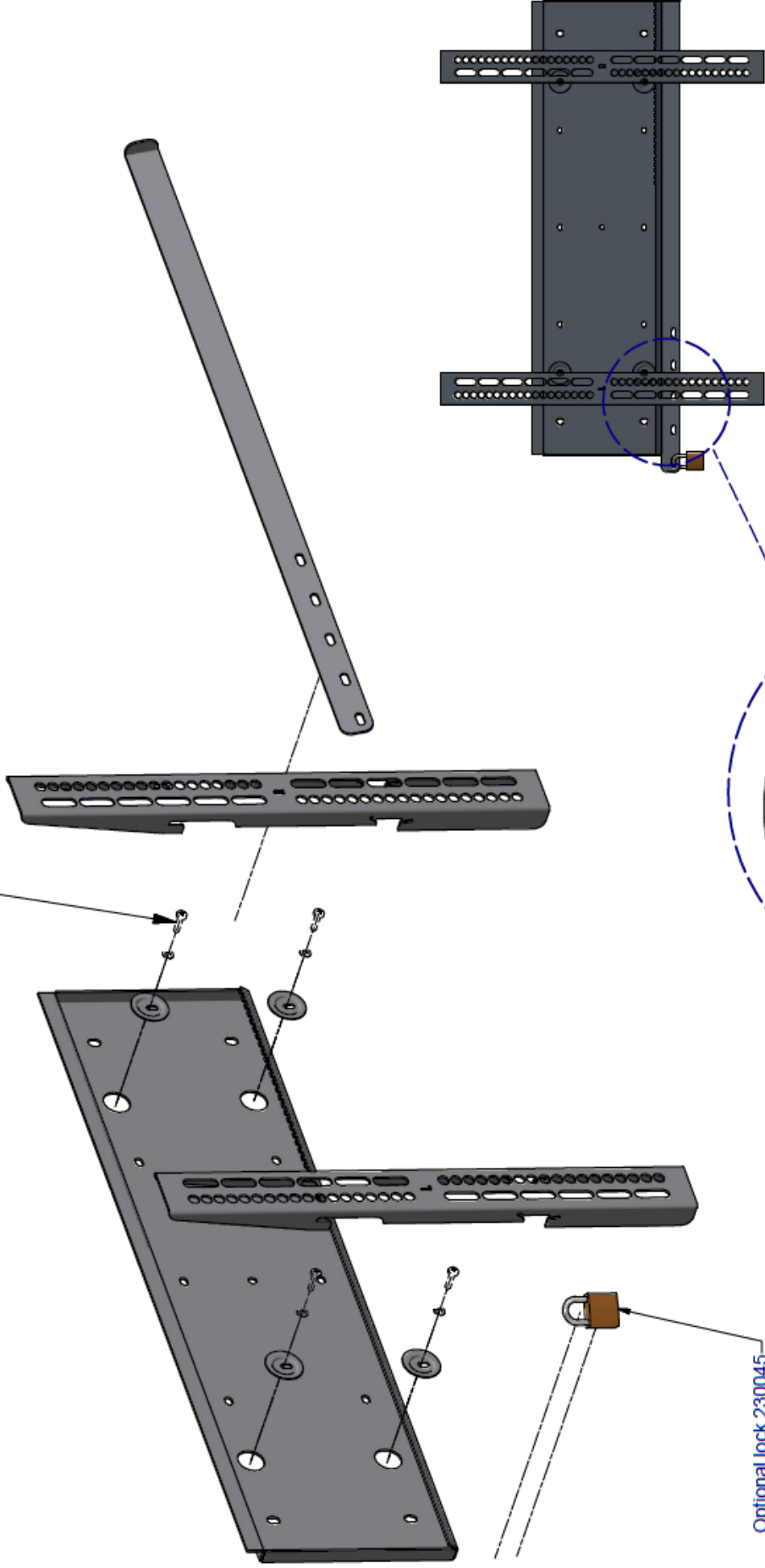
© COPYRIGHT AUDIPACK  
 This print and the information shown thereon, is the property of AUDIPACK.  
 It may not be delivered to others nor reproduced for general circulation without the written consent of the AUDIPACK engineering department.

**AUDIPACK**  
 Industriestraat 2-4  
 2751 GT Moerkapelle  
 the Netherlands  
 Tel: +31(0)795831671  
 Fax: +31(0)79583115  
 www.audipack.com

**AUDIPACK**  
 UNIFLATFIX Plus<sup>®</sup>

MOUNTING GUIDE

Use 5,0 screw to fasten Wall mount



NOTE: All dimensions are  $\pm$ ... in mm and subject to change

© COPYRIGHT AUDIPACK  
This print and the information shown  
thereon, is the property of  
AUDIPACK.  
It may not be delivered to others nor  
reproduced for general circulation  
without the written consent of the  
AUDIPACK engineering department.



AUDIPACK  
Industriestraat 2-4  
the Netherlands  
Tel: +31(0)786631871  
Fax: +31(0)78663115  
www.audipack.com

MANUAL  
FWM-XXX(P)

FLAT PANEL WALL MOUNT  
UNIVERSAL UNIFLATFIX