

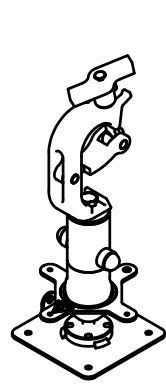
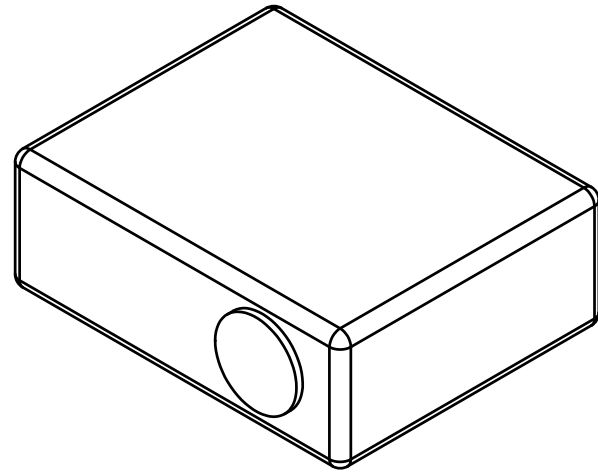
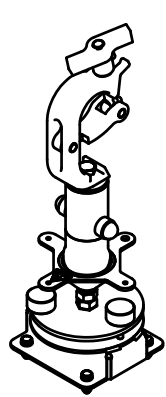


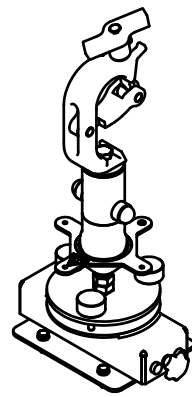
(3X) 
 (3X) 



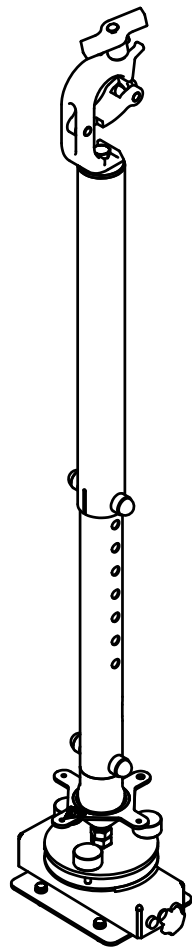
392167



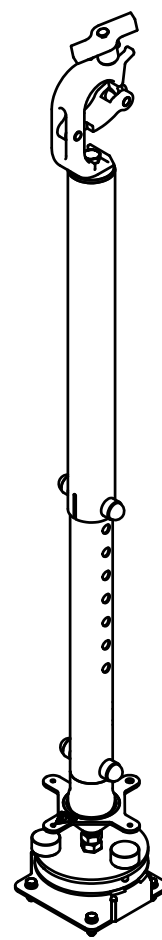
392367



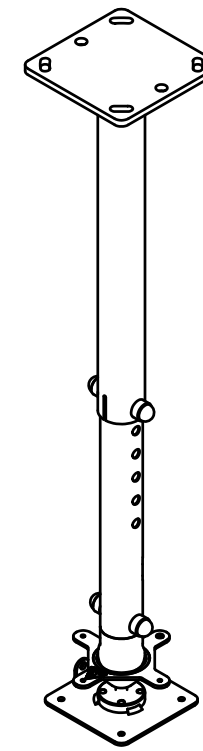
392667



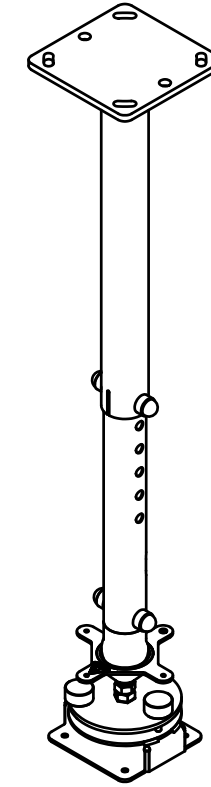
392666



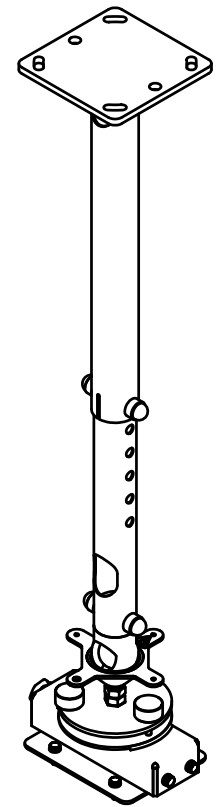
392366



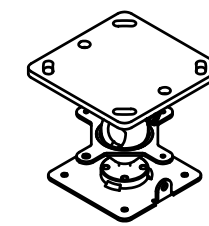
392161



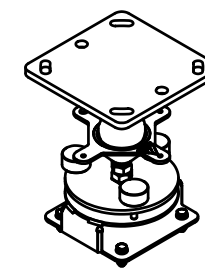
392361



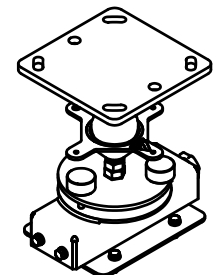
392661



392165



392365



392665

NOTE: All dimensions are ±..., in mm and subject to change

© COPYRIGHT AUDIPACK
 This print and the information shown
 thereon, is the property of
 AUDIPACK.
 It may not be delivered to others nor
 reproduced for general circulation
 without the written consent of the
 AUDIPACK engineering department.

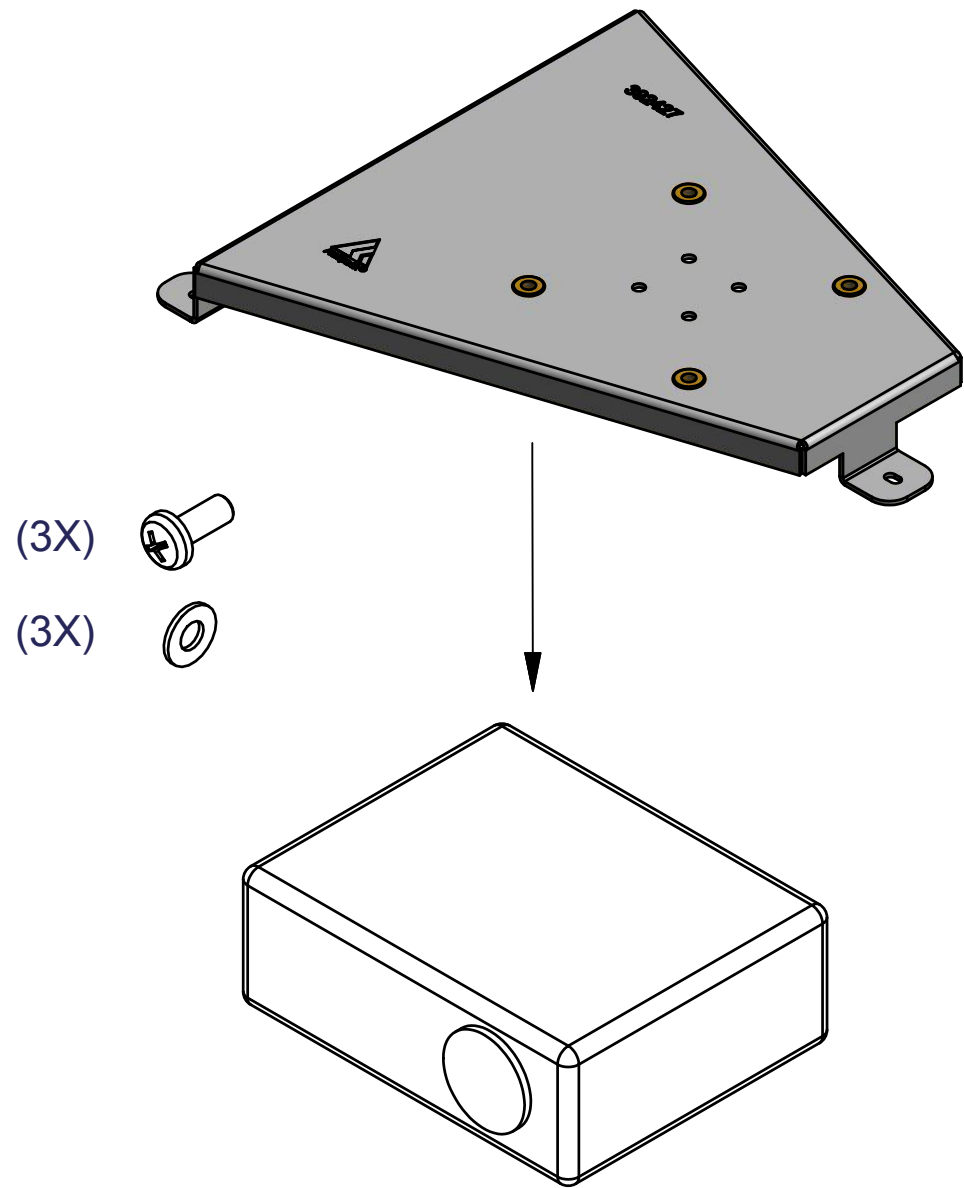


AUDIPACK
 Industriestraat 2-4
 2751 GT Moerkapelle
 the Netherlands
 Tel: +31(0)795931671
 Fax: +31(0)795933115
 www.audipack.com

MANUAL
 392427

PROJECTOR BEUGEL

Dimensions are indications, not to be used for any preparations. No rights can be derived from the above dimensions.



UTC-0300

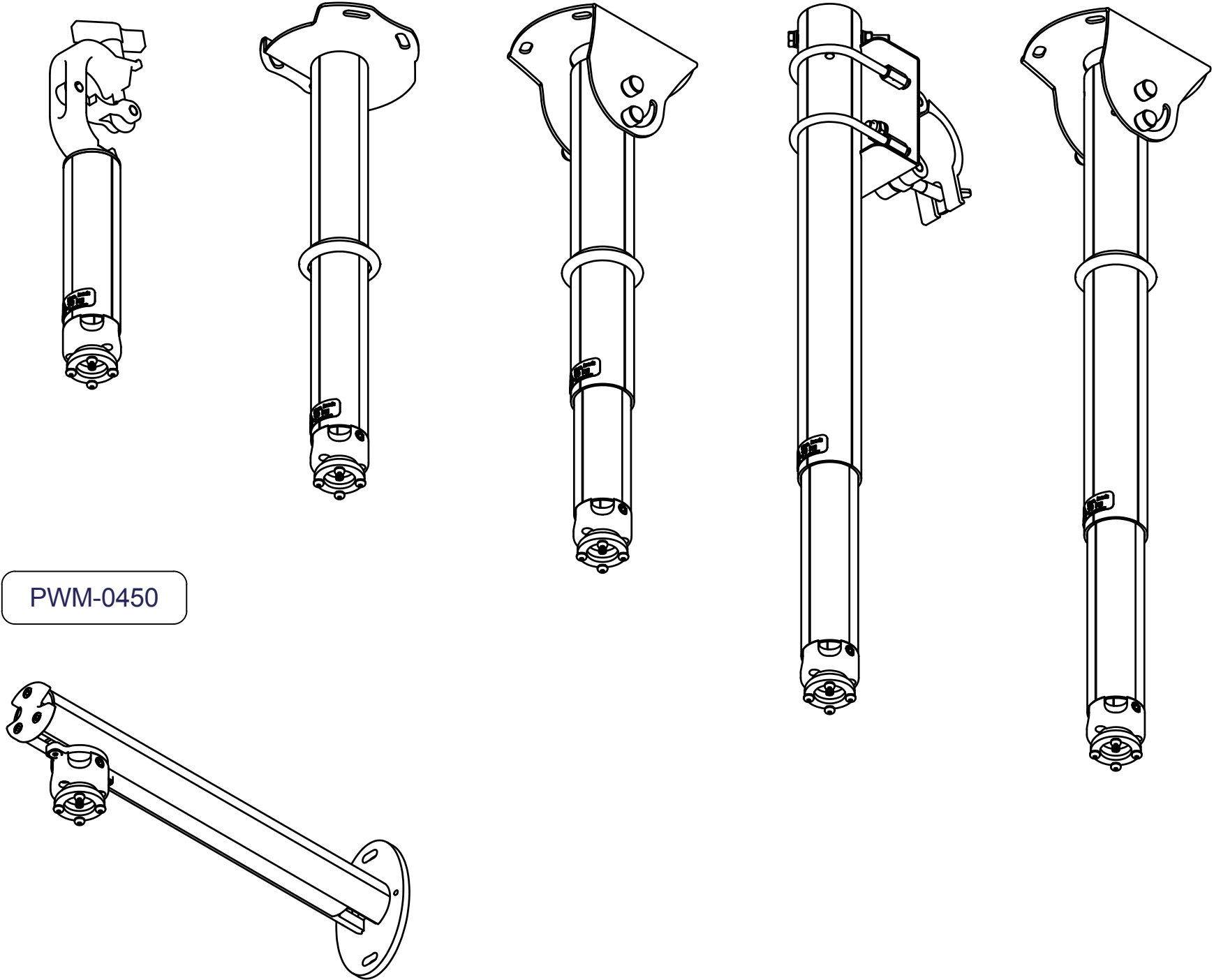
UTS-0500

UTS-0700T

UTC-1000T

UTS-1000T

PWM-0450



NOTE: All dimensions are ±..., in mm and subject to change

© COPYRIGHT AUDIPACK
 This print and the information shown
 thereon, is the property of
 AUDIPACK.
 It may not be delivered to others nor
 reproduced for general circulation
 without the written consent of the
 AUDIPACK engineering department.



AUDIPACK
 Industriestraat 2-4
 2751 GT Moerkapelle
 the Netherlands
 Tel: +31(0)795931671
 Fax: +31(0)795933115
 www.audipack.com

MANUAL
 392427

PROJECTOR BEUGEL