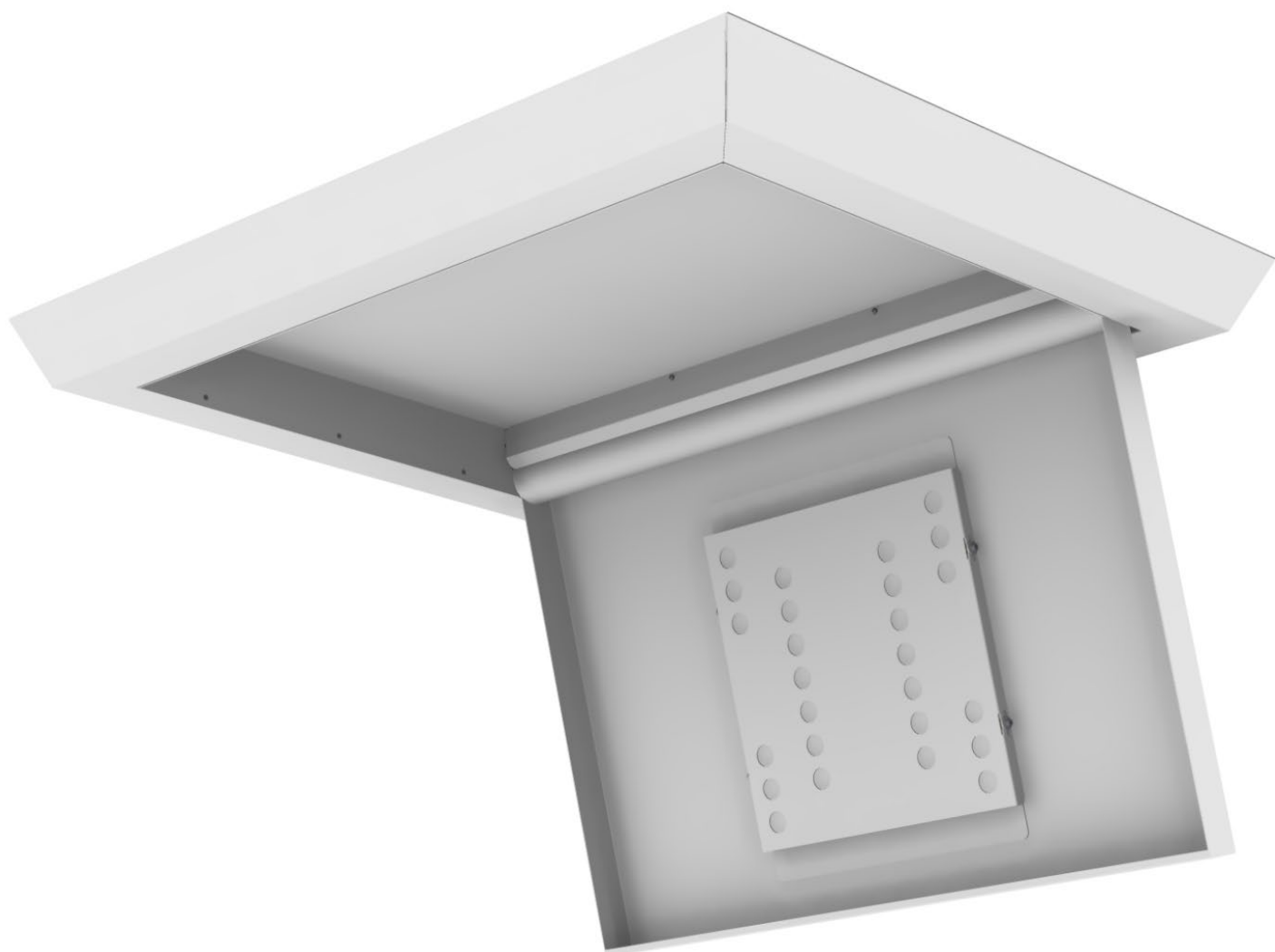


Flat panel fold down ceiling lifts

FFCL-XXXXS

Installatie handleiding
Installation manual



Index



[Package contents](#)

[Accessories](#)

[Mounting tools](#)

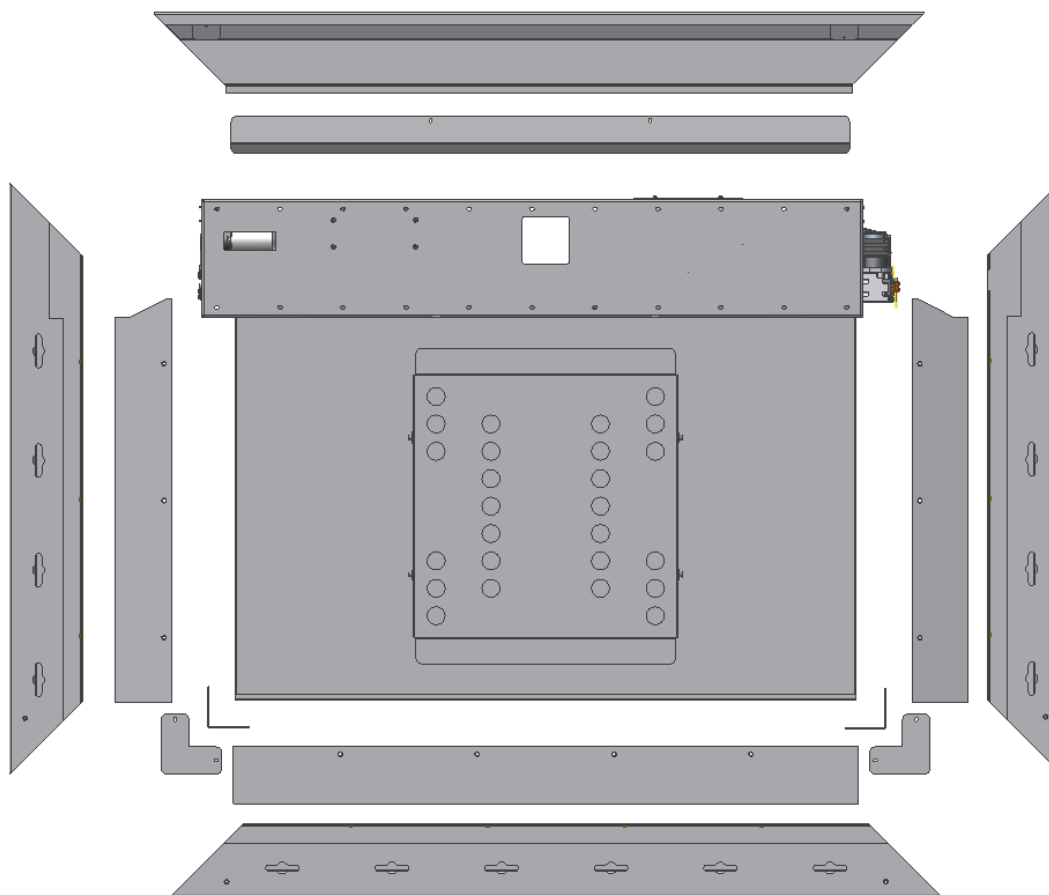
[Mounting instruction](#)

[Controller](#)

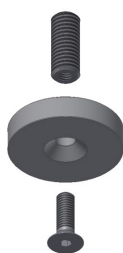
[Maintenance & Service](#)

Package contents

(1X)



(4X)



M8X20 Threaded rod
Magnet
M5X16 Countersunk screw

(4X)








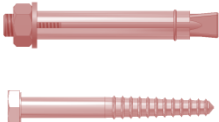
M6 Nylon Ring
Clamping bracket
M6 flat washer
M6 spring washer
M6X30 Panhead screw

Associated accessories

- **260214 IR remote control set**
Please see attachment
- **261318 Rotary wall switch**
Please see attachment



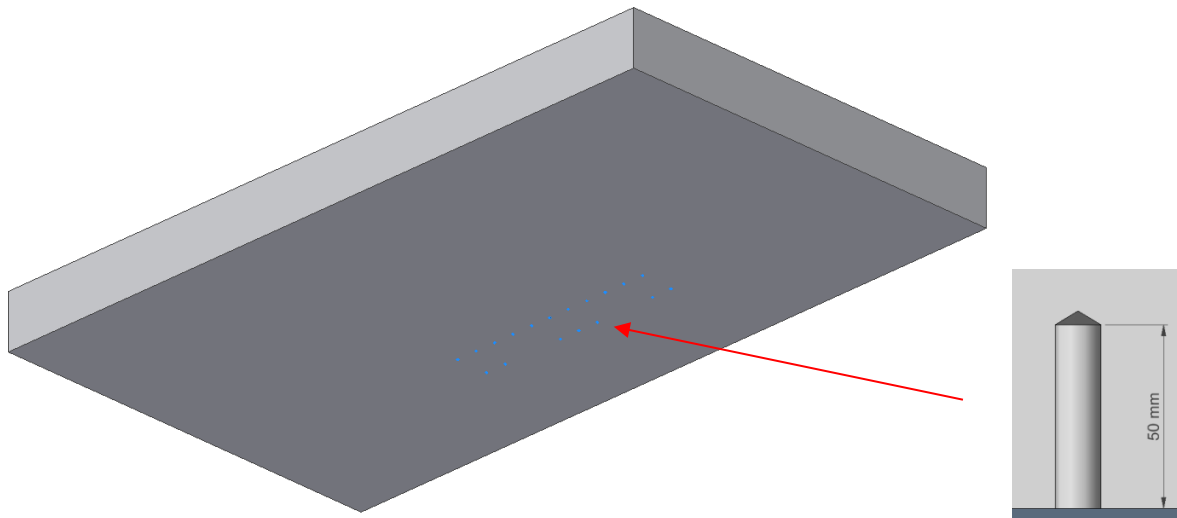
Required tools for installation

drill boormachine 	drill bit spiraalboor 	spirit level waterpas 	screw driver schroevendraaier 
tape measure rolmaat 	ceiling fixing bolts plafondbevestiging 		

Mounting instruction

1.

Install the lift system first to the ceiling using all available mounting holes. Please install the appliance with at least two installers.



CONCRETE
BETON
BETON
BETON



DIN 16168 - M6X40

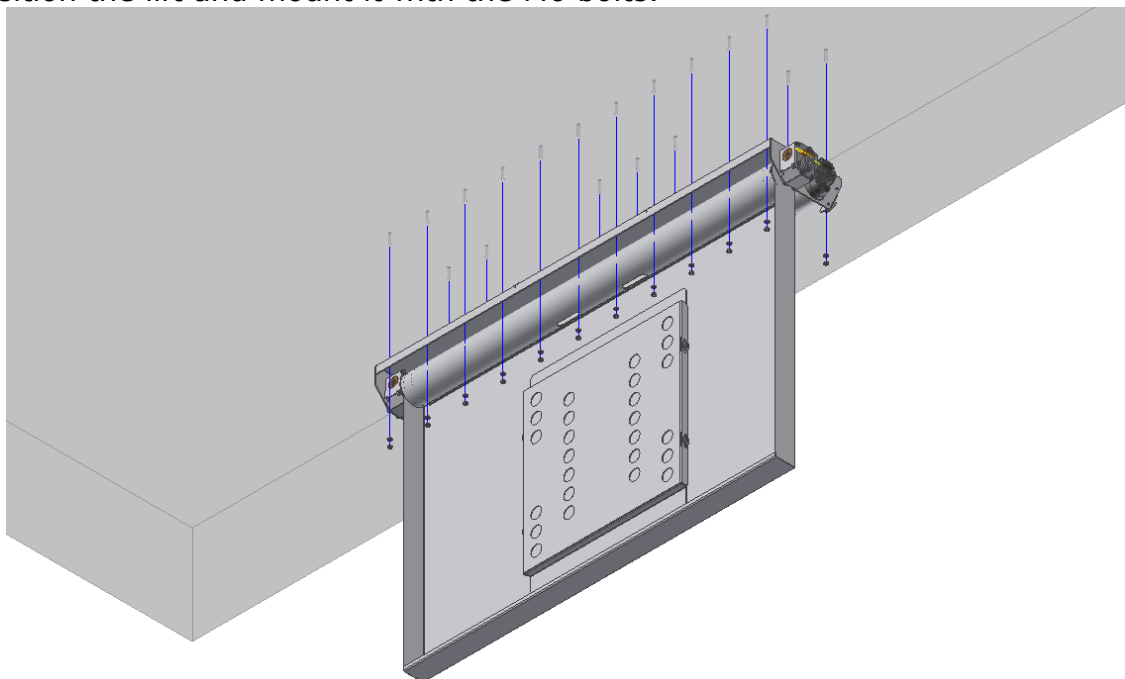
HOUT
WOOD
BOIS
HOLZ



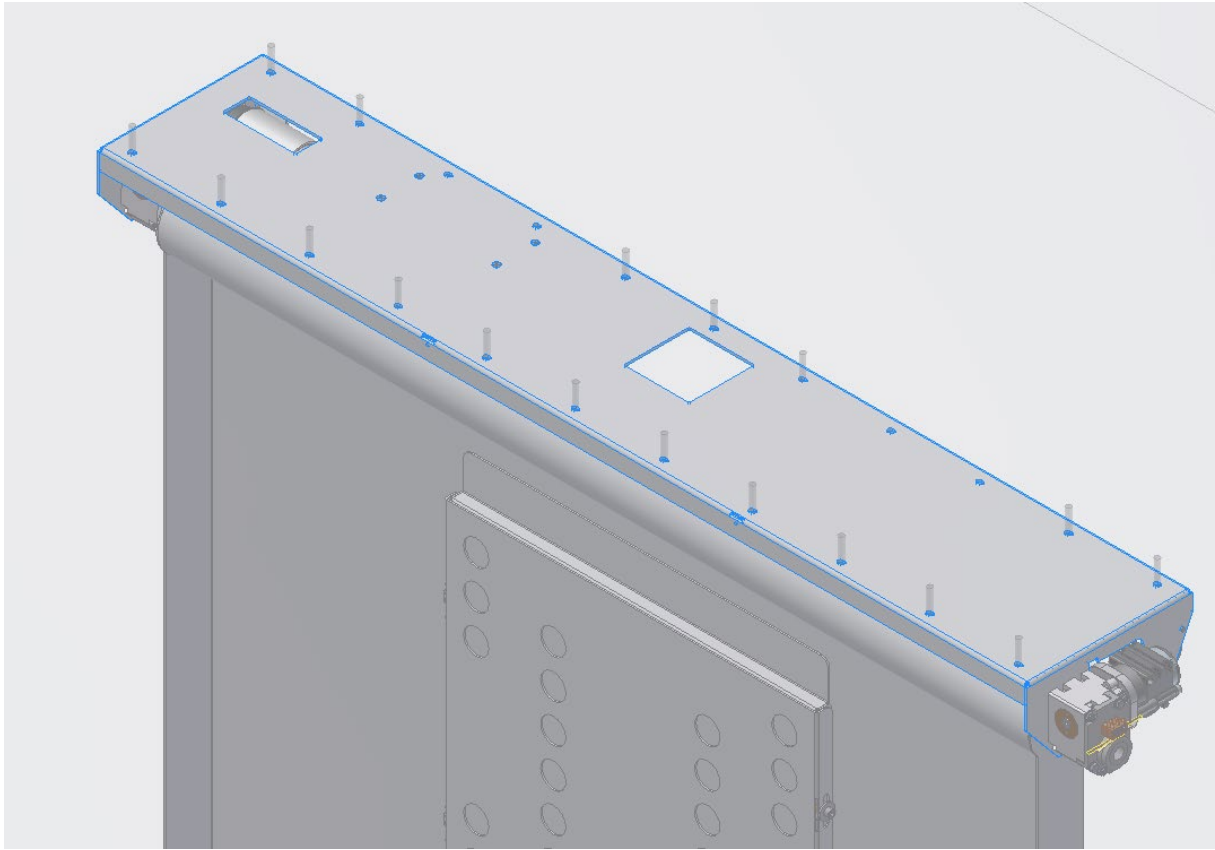
DIN 571 - M6X35

2.

Position the lift and mount it with the M6 bolts.



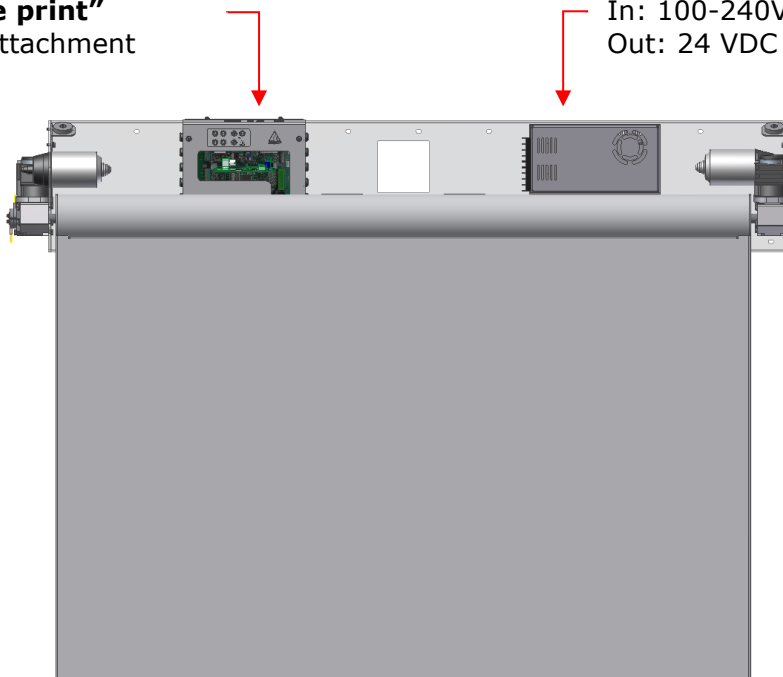
Mounting instruction



3. Standard integrated printed circuit board (PCB):

**"261287 Programmable
low voltage print"**
Please see attachment

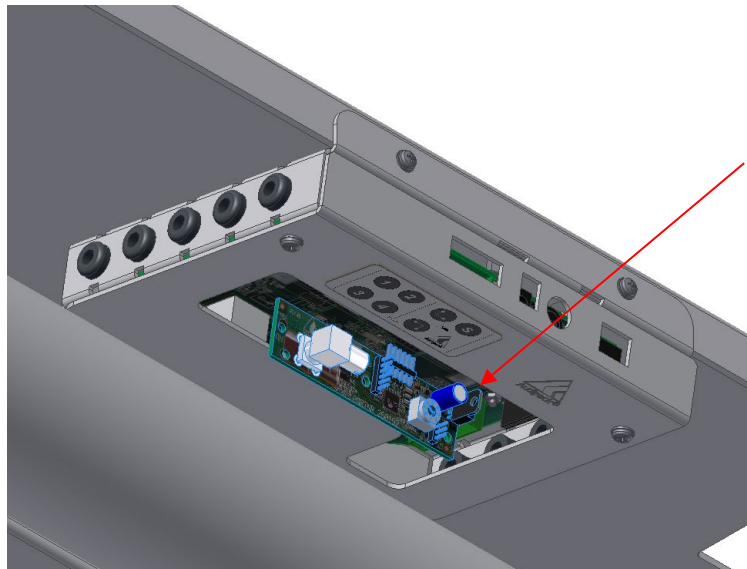
Power supply
In: 100-240VAC/5A 50/60 Hz
Out: 24 VDC 13A



Mounting instruction

4.

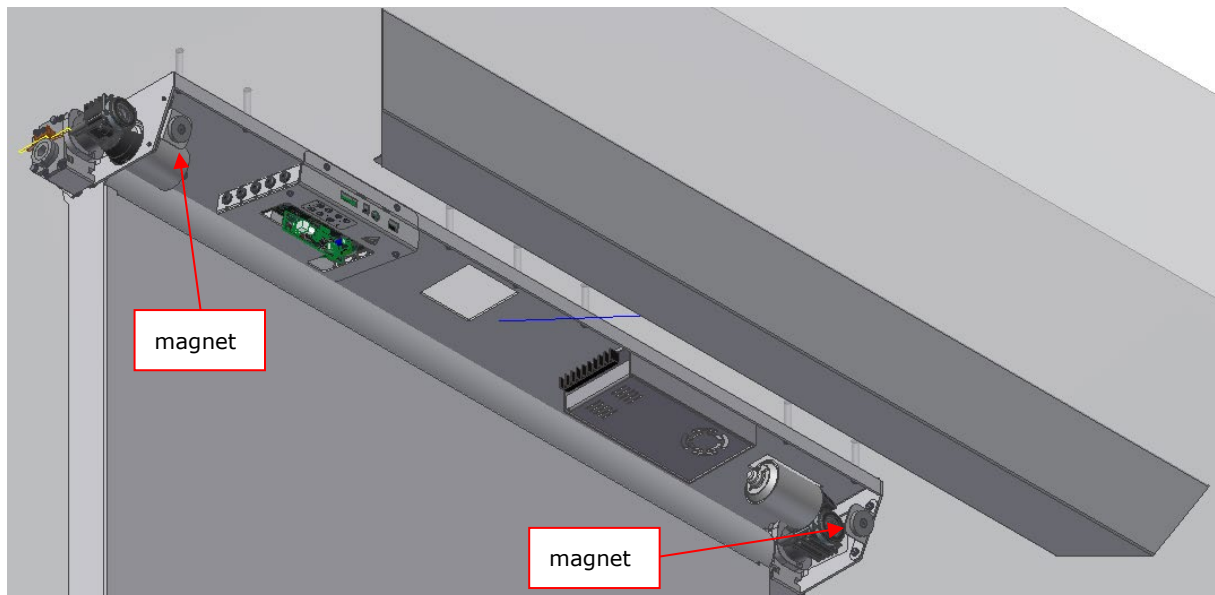
With optional wireless remote controller:



**"260192 Remote Control
Circuit board"**
Please see attachment

5.

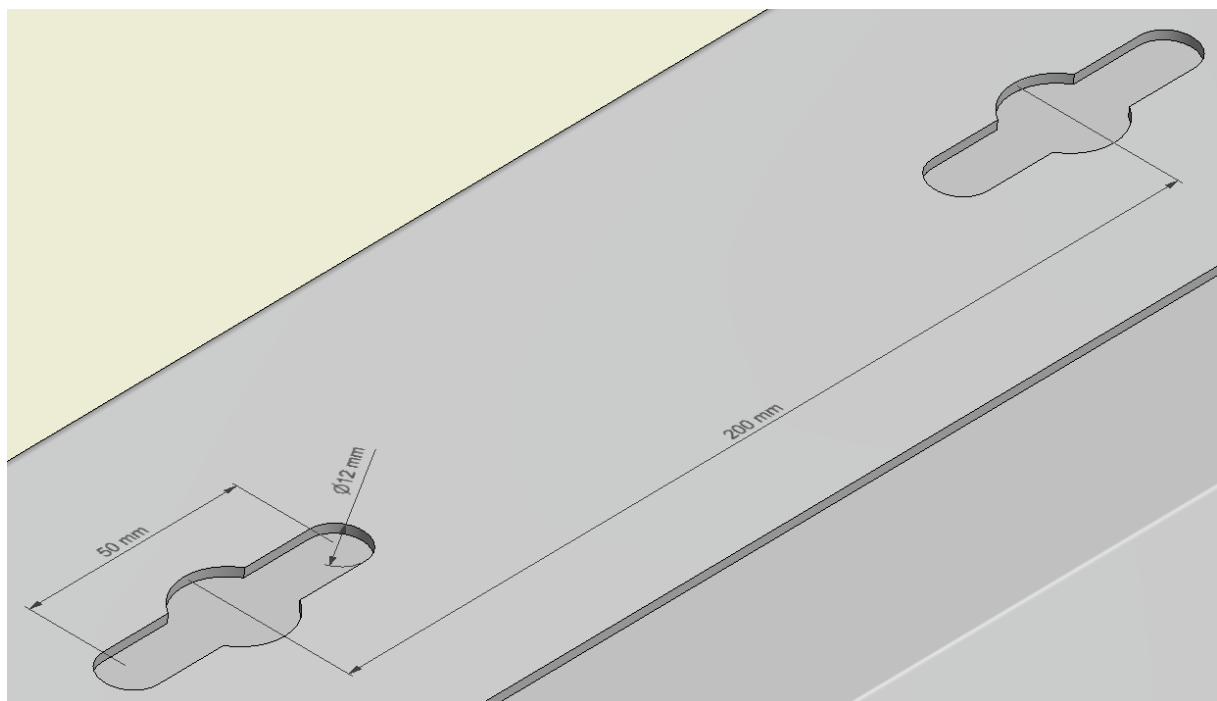
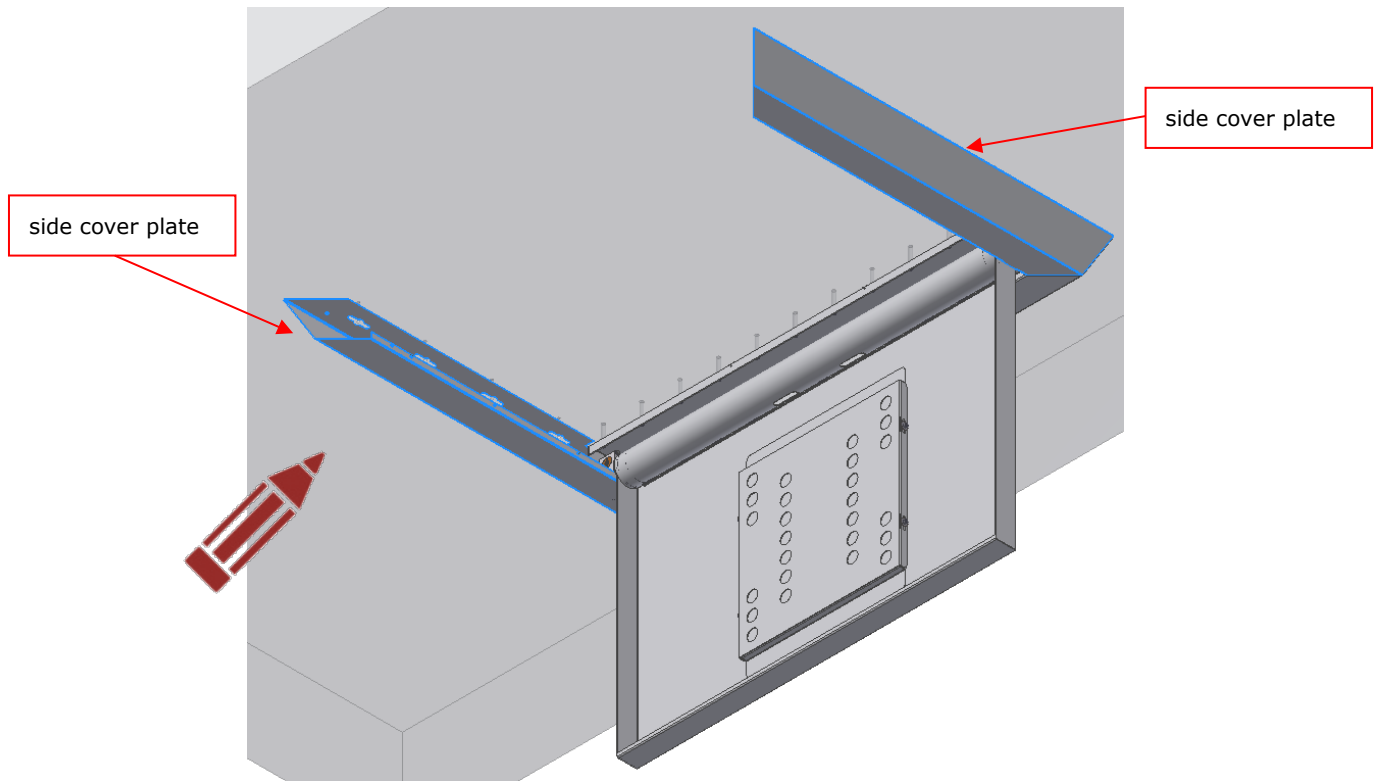
Place the back cover plate first on the ceiling.
It will stay on position with the magnets.



Mounting instruction

6.

Place the side cover plates first to the ceiling. The plates are provided with "key holes". Copy the hole patterns and drill the holes in the ceiling. Repeat these steps with the last cover plate.



Mounting instruction

CONCRETE
BETON
BETON
BETON

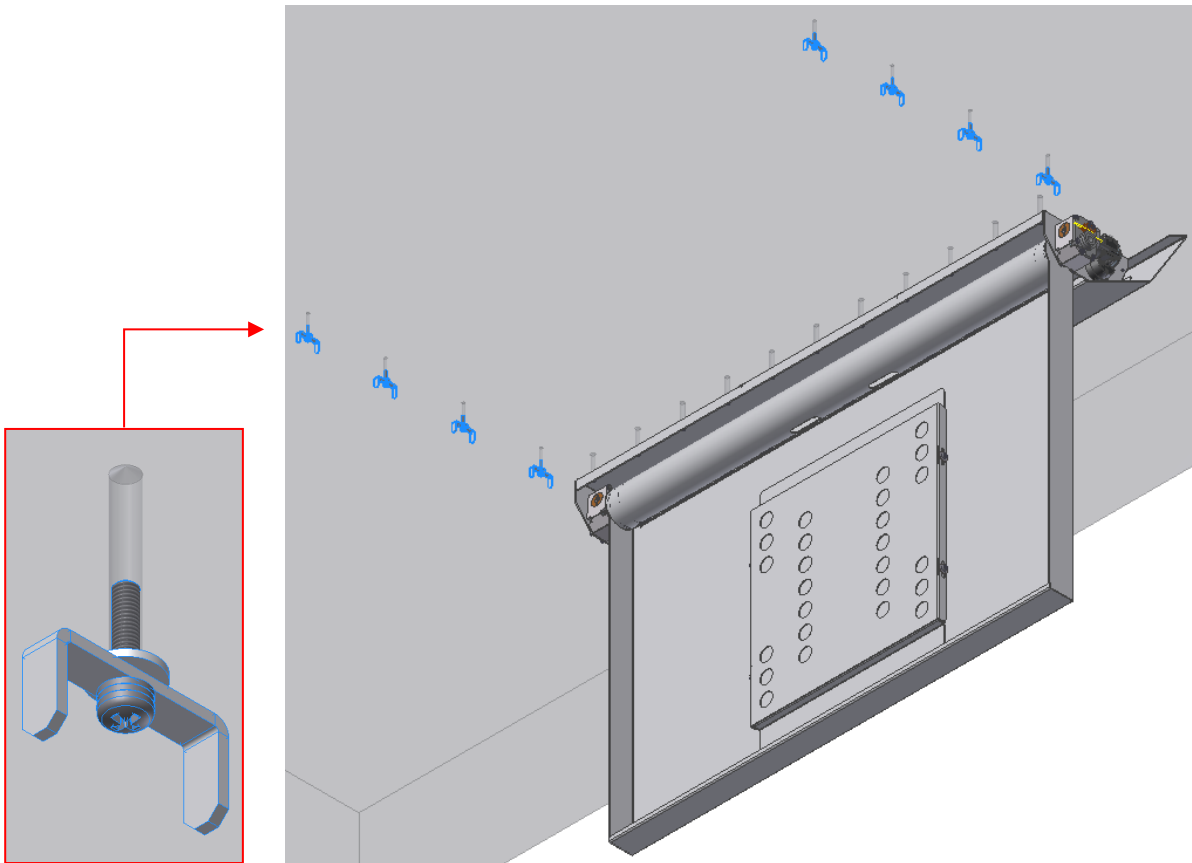


DIN 16168 - M6X40

HOUT
WOOD
BOIS
HOLZ

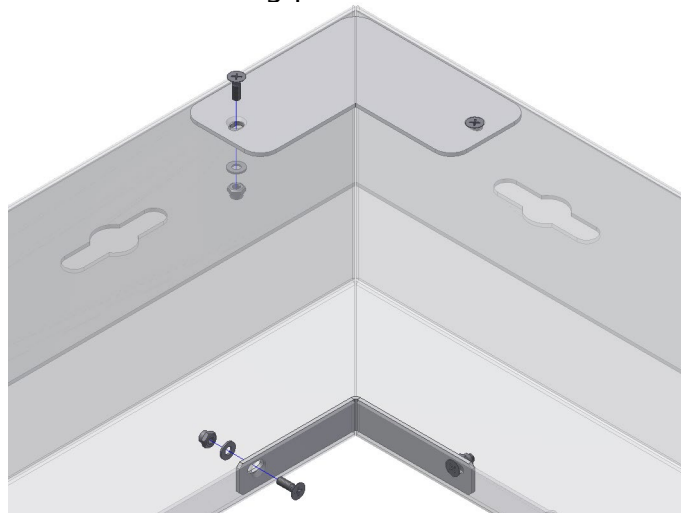


DIN 571 - M6X35



7.

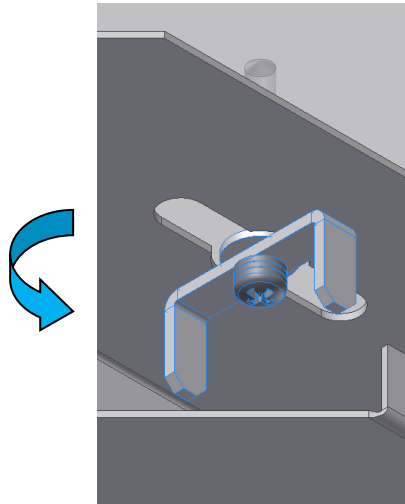
To join the cover plates use the fixing plates.



Mounting instruction

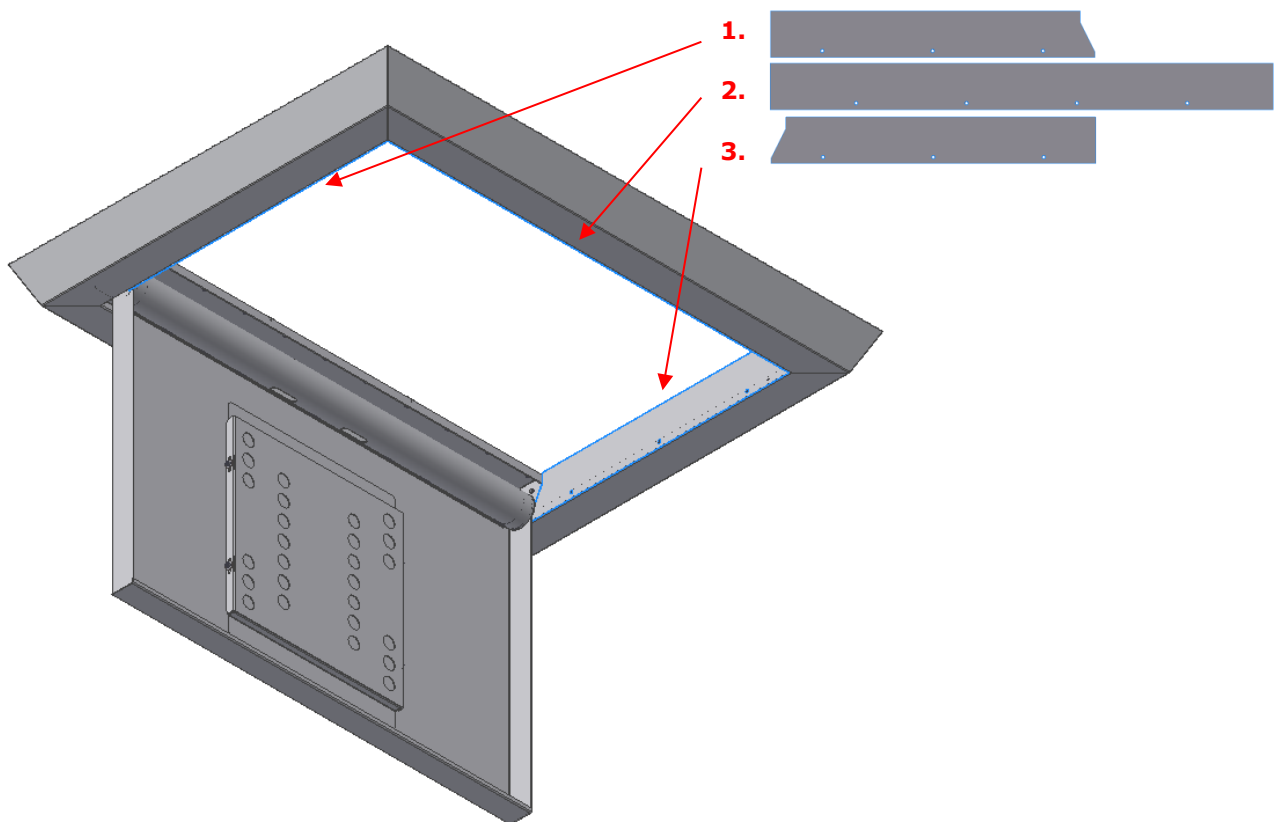
8.

Secure the cover plates by rotating the fastening brackets 90 degrees.



9.

Position the inner cover plates inside the lift finishing.

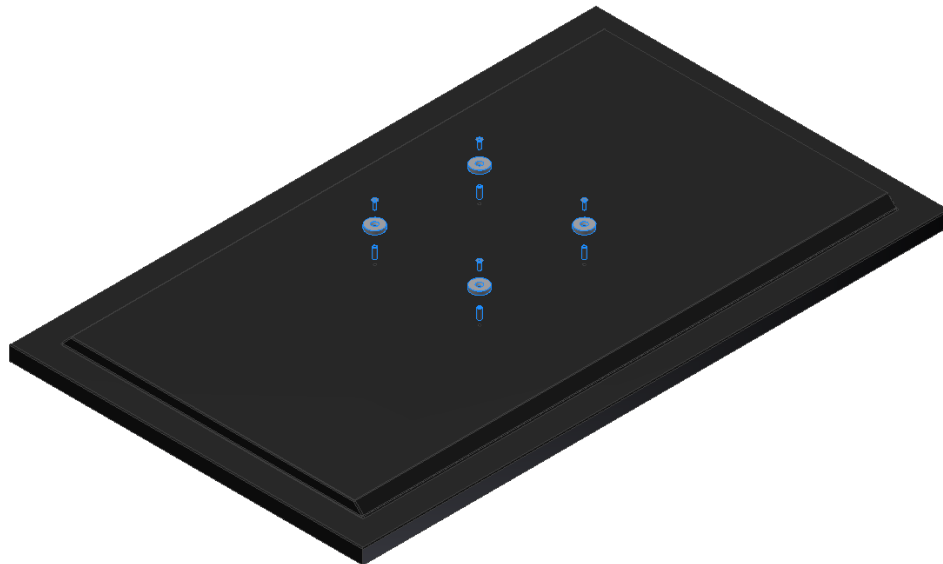


Mounting instruction

10.

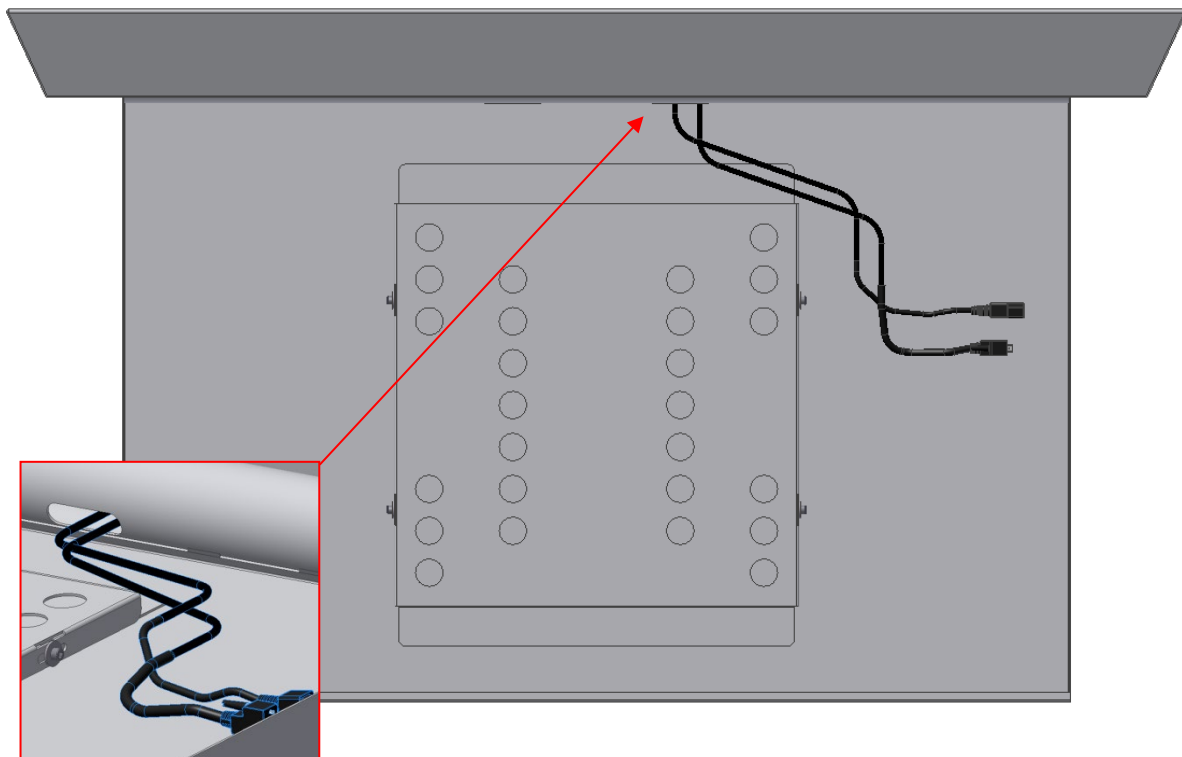
Installing the TV to the lift system.

Insert the magnets on the back of the monitor, check the length of the bolts and shorten them if needed (separately packed in a plastic bag).



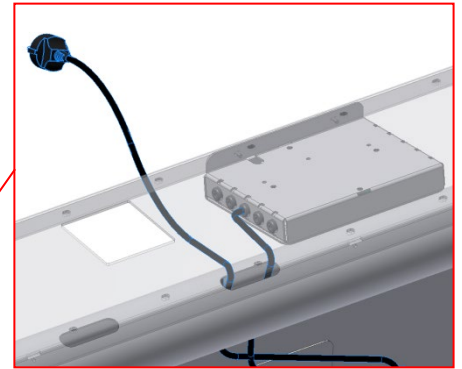
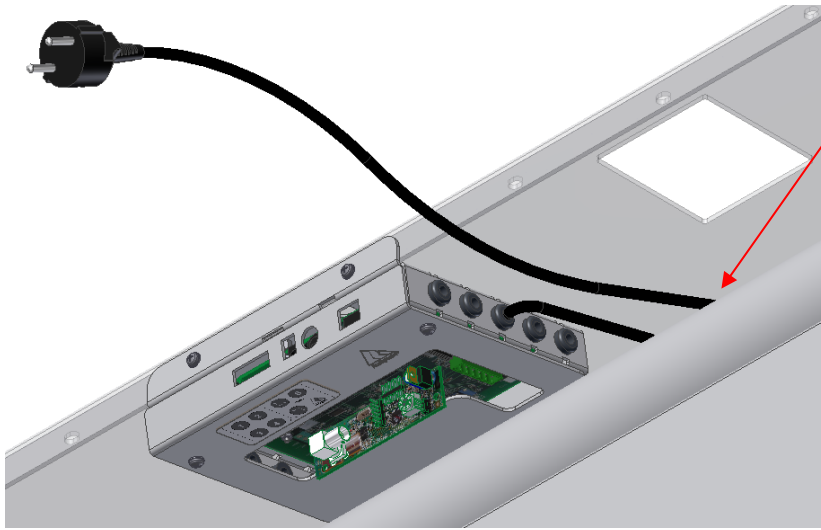
11.

Be sure all connections are made properly and allow enough length of cable to remove the monitor without pulling / damaging the connectors. Use tie-wraps for organizing the cables. Be sure the cables are free from parts around the controls.



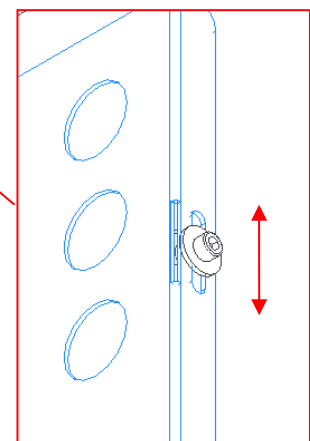
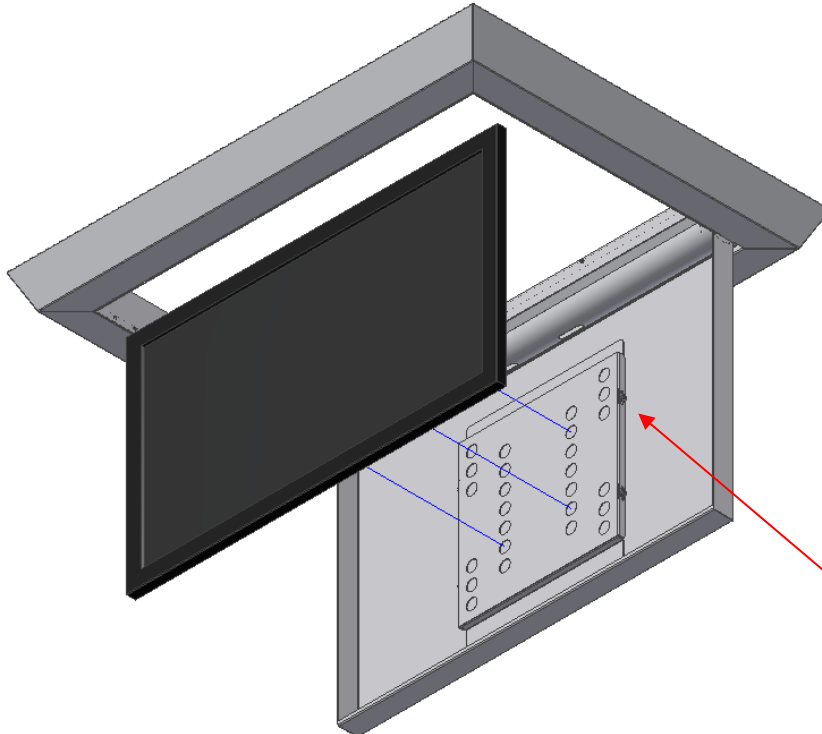
Mounting instruction

12.



13.

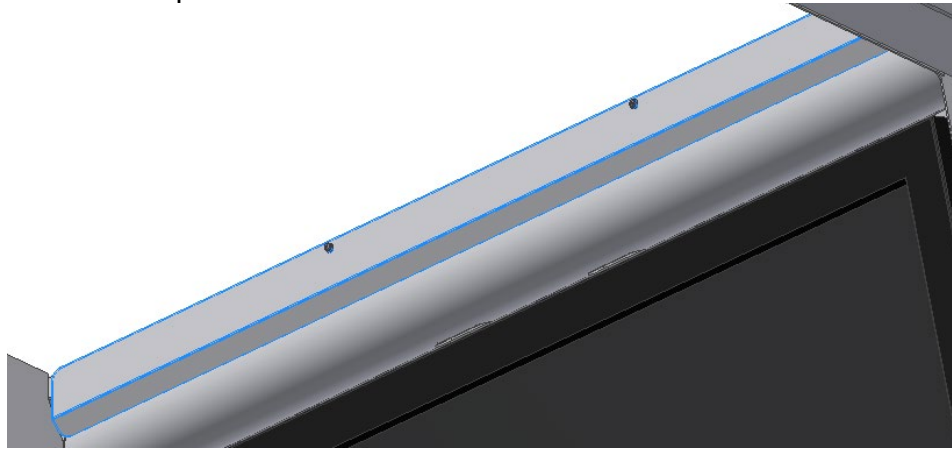
Install the TV. Position the magnets so the insert in the adjustable plate with holes. This plate is adjustable in height to line-out the TV.



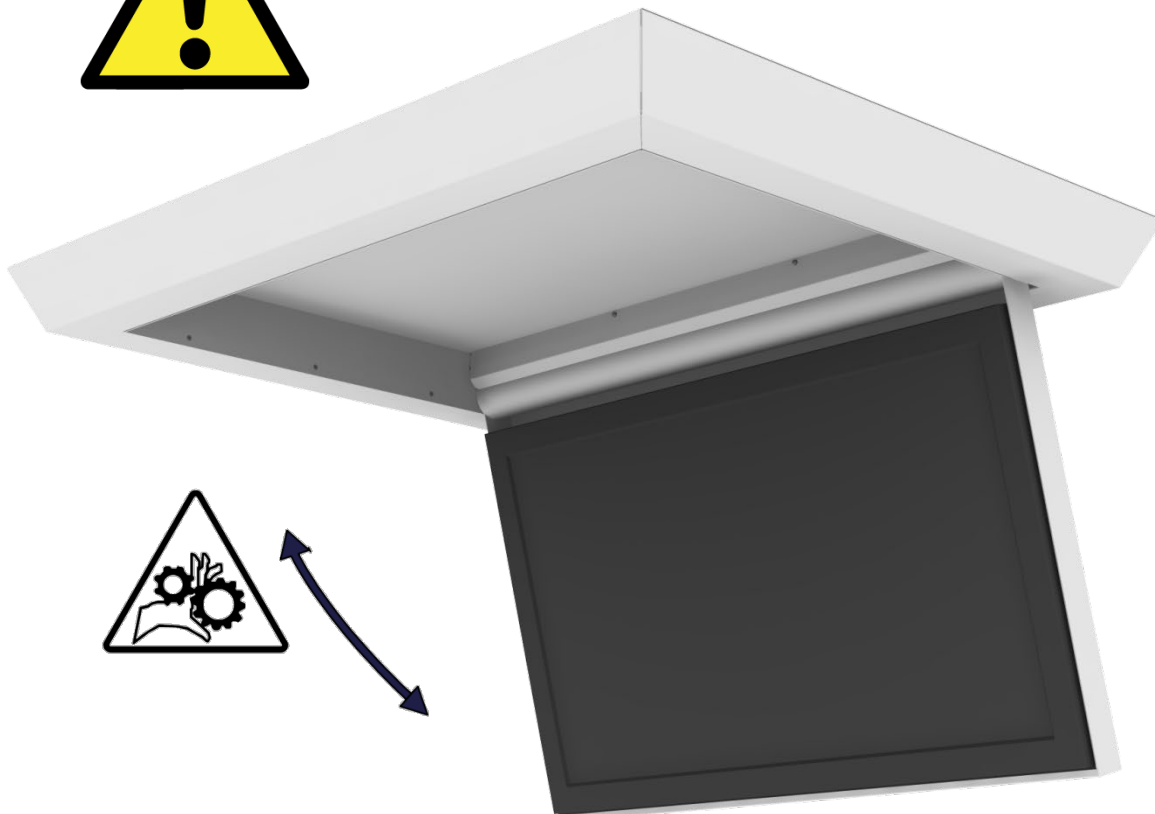
Mounting instruction

14.

Place the last cover plate.



15.



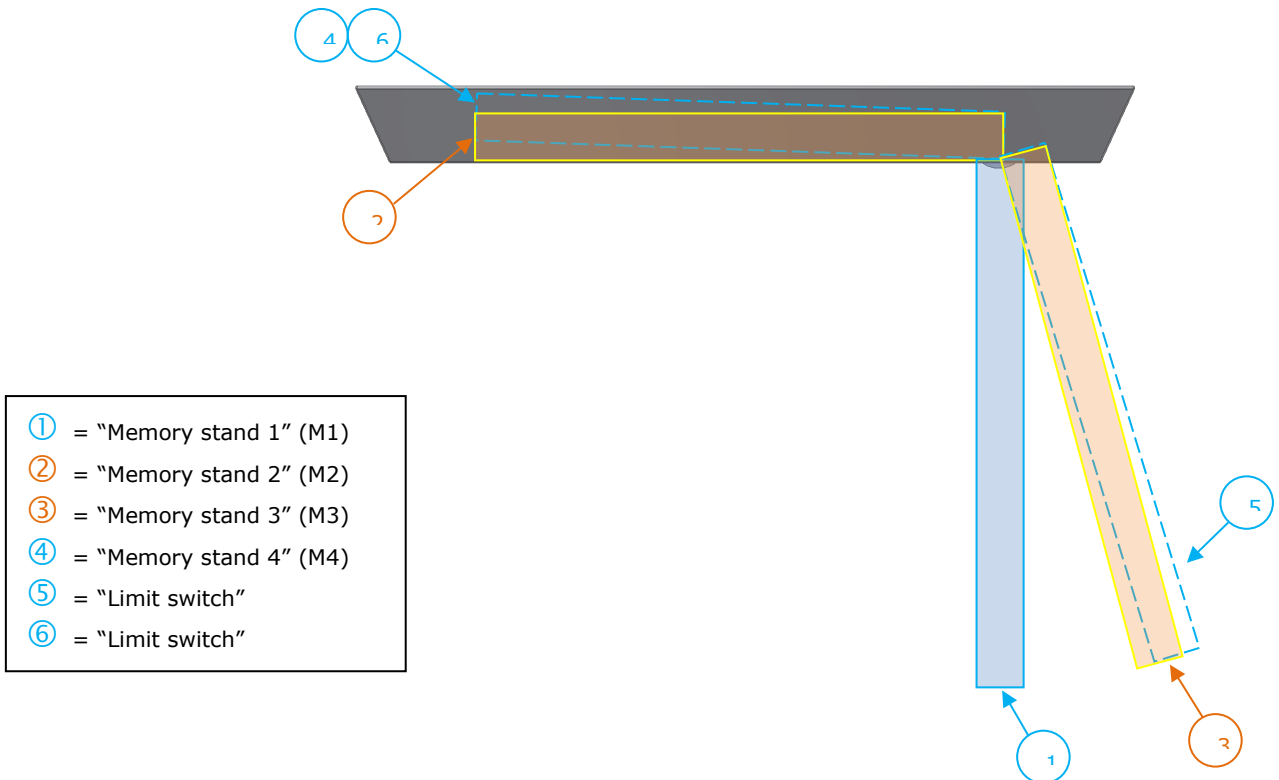
Mounting instruction

16. Standard programmed

The M1 ① and M2 ② are free programmable.

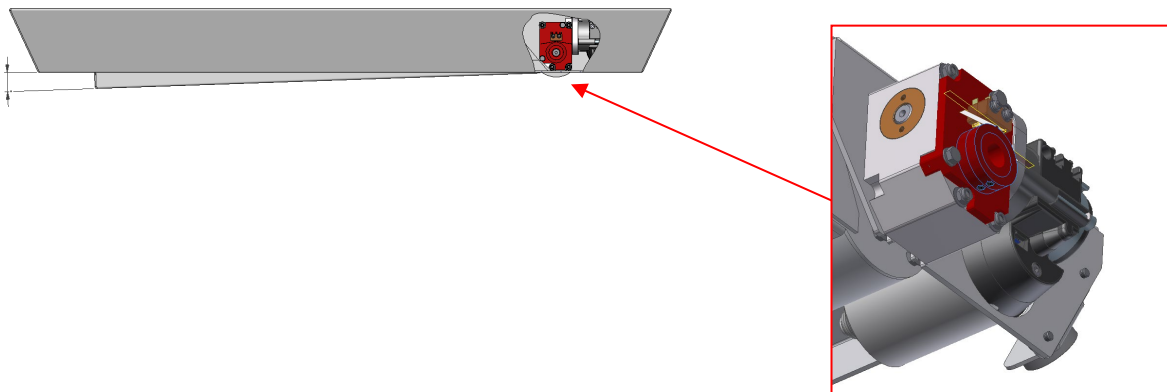
The lift has a limit down ③ and up ④ position. It is programmed with a PIN.

The limit switches are mounted on the motor of the lift system. These indicate the down ⑤ and up ⑥ position of the lift.



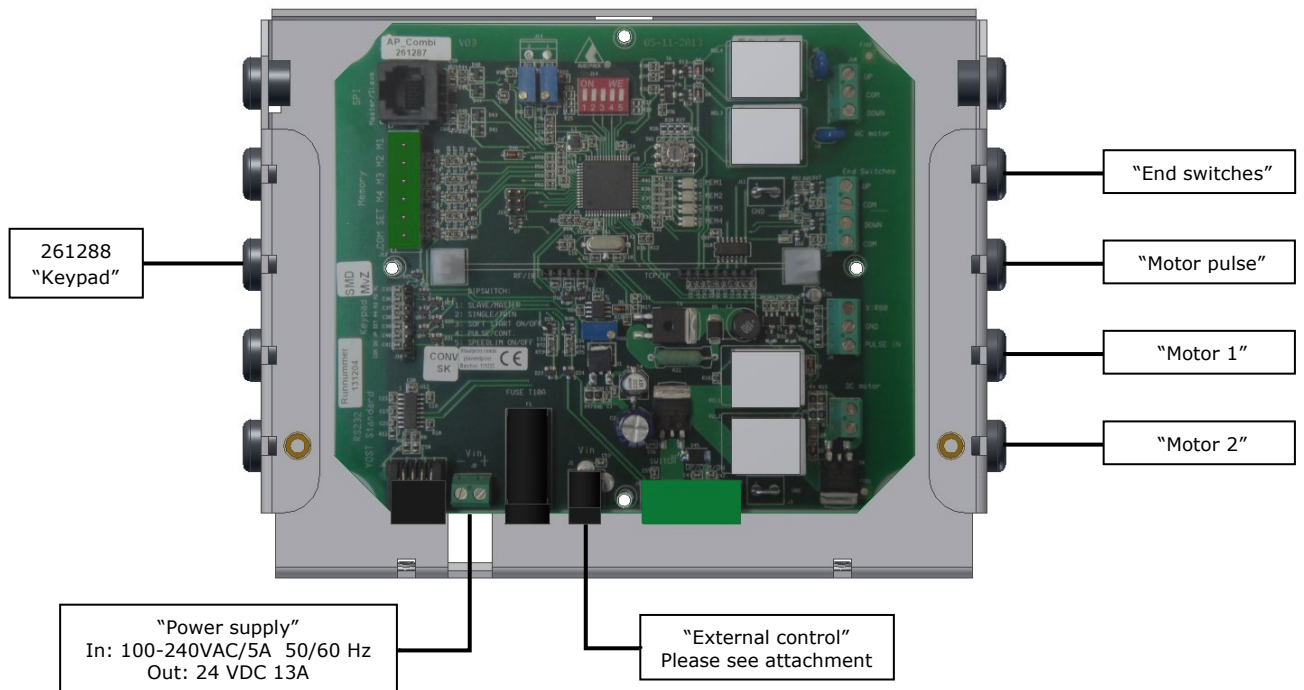
16a. (installation technician only!)

The location of the preset switches.

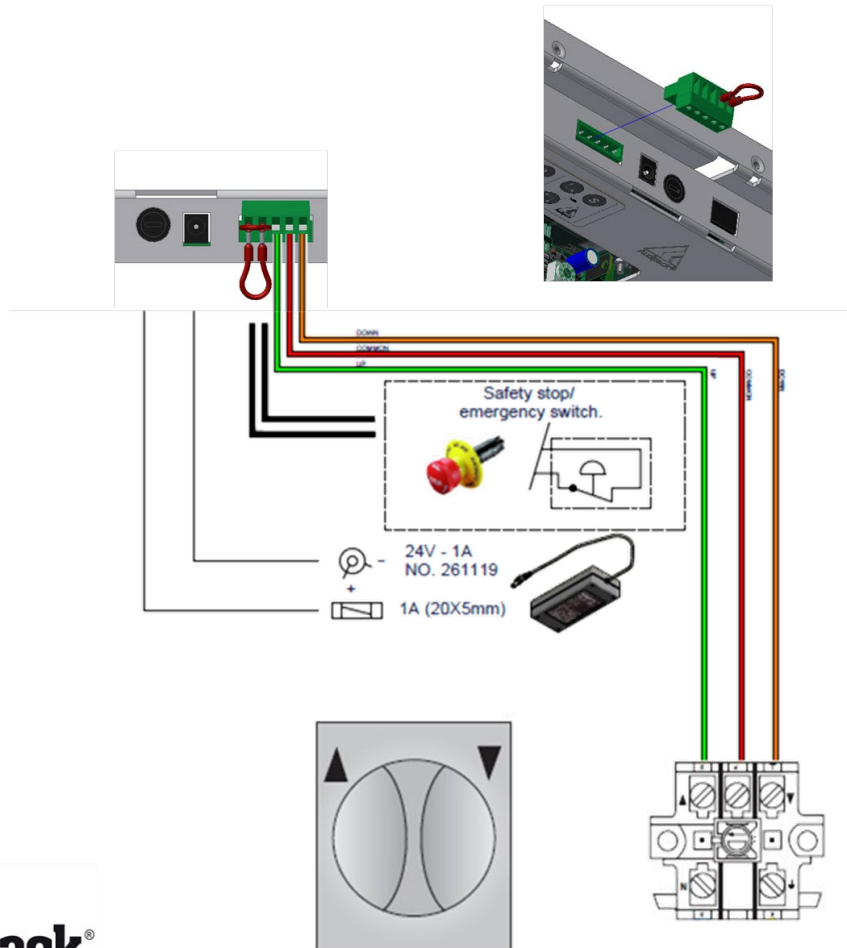


Controller

Standard unit



External control: control by switch or remote.



Controller

Maintenance & Service

Clean the lift system with a moist cloth. Dry it afterwards.
Do not use aggressive cleaning products.

For questions please contact us: support@audipack.com.
Or contact our support department by phone +31 (0)79 5931671.



Audipack's general conditions of sales and delivery apply to all of Audipack's deliveries. These conditions can be downloaded from Audipack's website, www.audipack.com, or will be send by post on request.

Audipack liefert ausschließlich unter die allgemeine Verkauf- und Lieferungsbedingungen von Audipack. Diese Bedingungen sind zum downloaden verfügbar auf die webseite von Audipack, www.audipack.com, oder werden Ihnen auf Anfrage per Post gesendet.

Alle leveringen geschieden uitsluitend volgens de Algemene Verkoop- en Leveringsvoorwaarden van Audipack. Een afschrift hiervan kunt u downloaden van de website van Audipack, www.audipack.com, of wordt u op aanvraag gestuurd per post.

Les conditions de Vente et de livraison de Audipack s'appliquent à tous les livraisons de Audipack. Cette conditions sont disponible sur le site internet de Audipack, www.audipack.com, où seront envoyé par poste sur demande.

AUDIPACK
Industriestraat 2-4
2751 GT Moerkapelle
The Netherlands

Tel: +31(0)795931671
Fax: +31(0)795933115
Email: audipack@audipack.com
www.audipack.com

Audipack reserves the right to make changes in specifications and other information contained in this document without prior written notice. The information provided herein is subject to change without notice. In no event shall Audipack be liable for any incidental, special, indirect, or consequential damages whatsoever, including but not limited to lost profits, arising out of or related to this manual or the information contained herein, even if Audipack has been advised of, known, or should have known, the possibility of such damages.