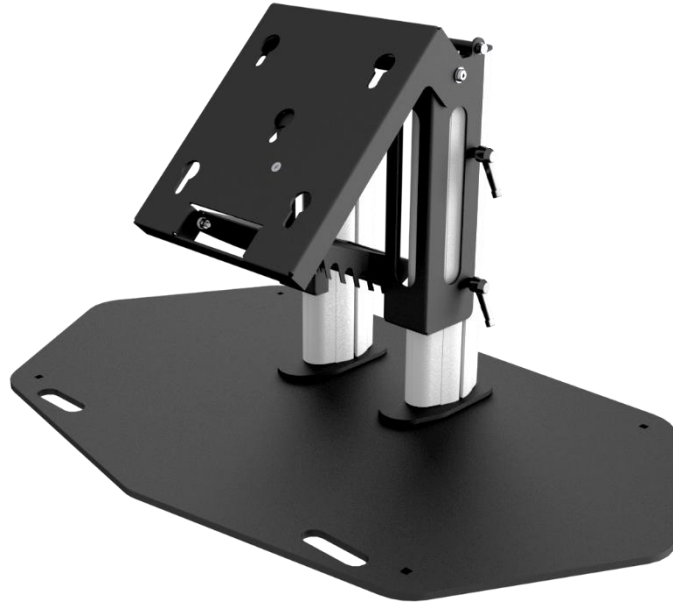


Manual

390720 - Floorstand Quick release

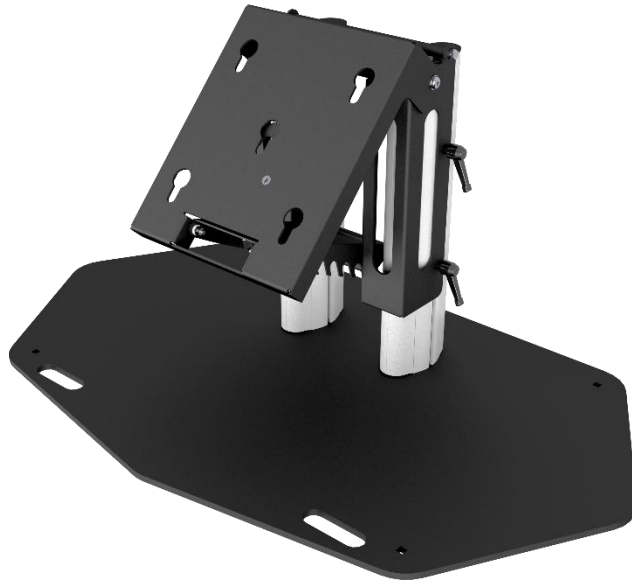


390721 - Floorstand QR on wheels



Manual

390722 - Floorstand fixed



390723 - Floorstand fixed on wheels



Index



Inhoud

Mounting Head – Montagekop.....	2
Place the mounting head into position Plaats de montage kop in positie.....	2
Apply to Models: 390720, 390721, 390722 and 390723	2
Lock the mounting head – Vergrendel de montagekop	3
Viewing angle settings – Kijkhoekverstelling.....	4
Quick release columns.....	5
Place the columns over the pins with open latches Plaats de kolommen over de pennen met open vergrendelingen.....	5
Close the latches - Sluit de vergrendeling	5
.....	5
Casters	7
Mounting the casters on the floorplate Bevestig de zwenkwielen op de vloerplaat.....	7
Apply to Models: 390721 and 390723.....	7
Cleaning - schoonmaken	7
Clean with lightly damp cloth. Dry after cleaning. Maak met een vochtige doek schoon en droog daarna af.....	7
Do not use aggressive cleaning agents. Gebruik geen aggresieve schoonmaakmiddelen	7

Mounting instructions

Mounting Head – Montagekop

Place the mounting head into position

Plaats de montage kop in positie



Apply to Models: 390720, 390721, 390722 and 390723



Secure the mounting head with the clamping lever and the steel and nylon washer

Zet de montagekop vast met de knevel en de stalen en kunststof ring

Mounting instructions

Lock the mounting head – **Vergrendel de montagekop**

MINIMUM

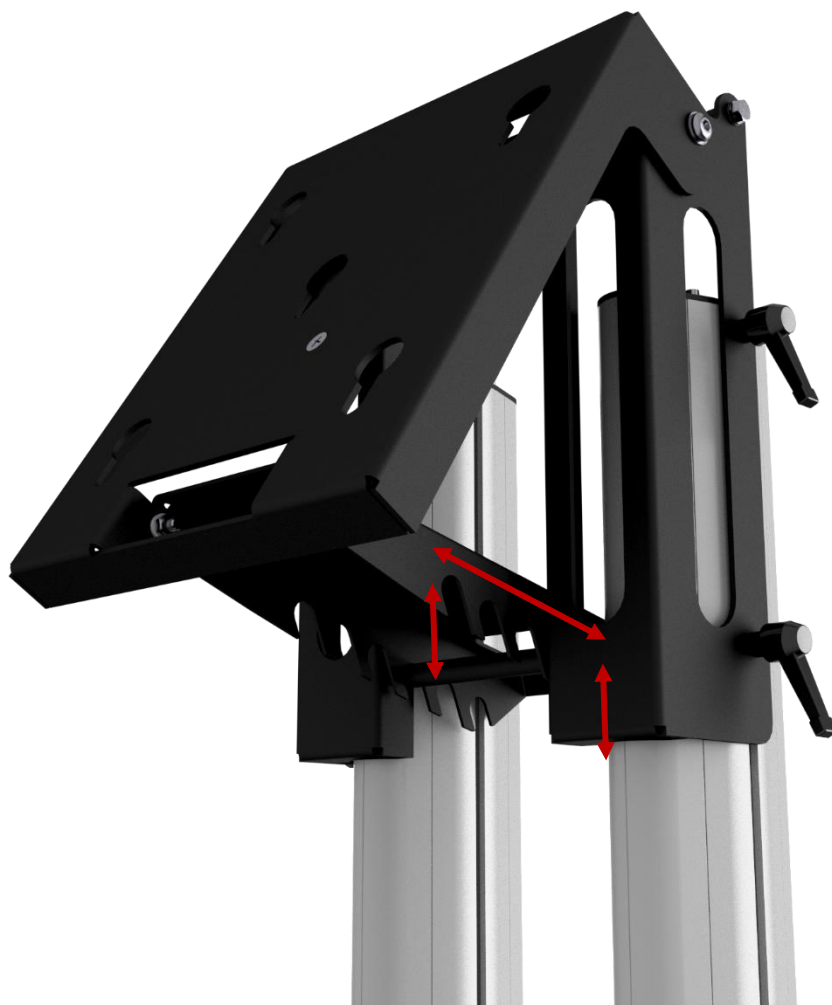
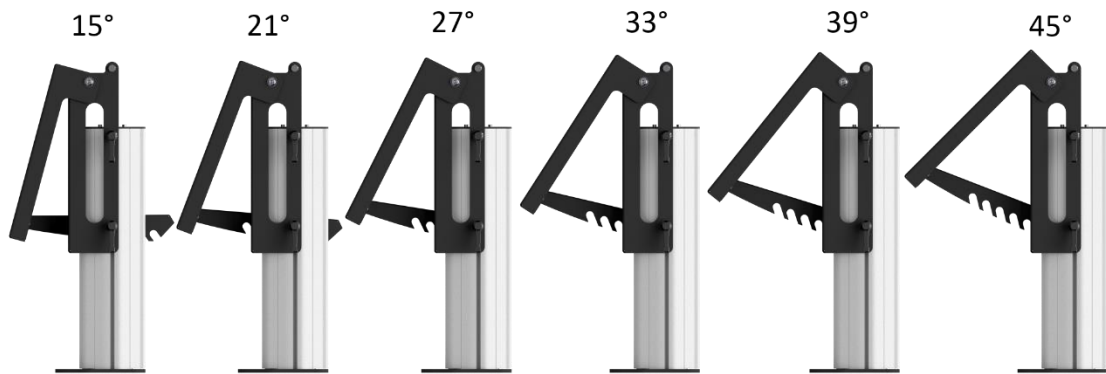


MAXIMUM



Mounting instructions

Viewing angle settings – **Kijkhoekverstelling**



Mounting instructions

Quick release columns

Place the columns over the pins with open latches

Plaats de kolommen over de pennen met open vergrendelingen



Close the latches - **Sluit de vergrendeling**



Mounting instructions

Place the covers – **Plaats de deksels**

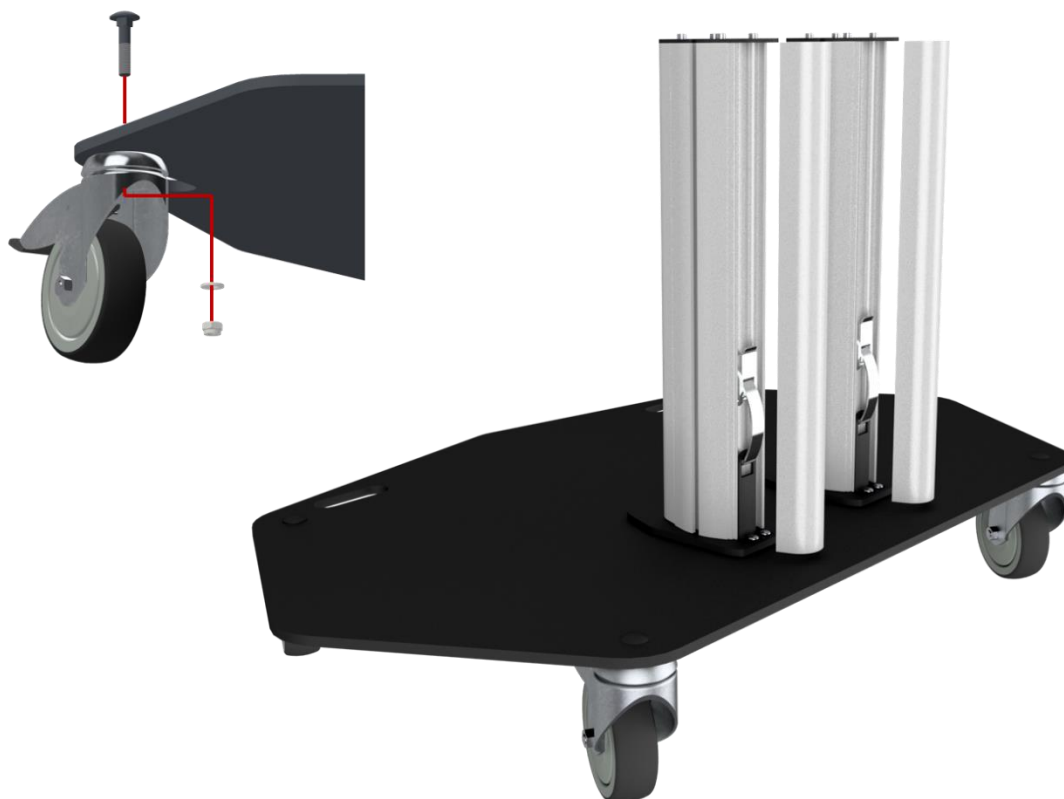


Mounting instructions

Casters

Mounting the casters on the floorplate

Bevestig de zwenkwielen op de vloerplaat



Apply to Models: 390721 and 390723

Cleaning - schoonmaken



Clean with lightly damp cloth. Dry after cleaning.

Maak met een vochtige doek schoon en droog daarna af

Do not use aggressive cleaning agents.

Gebruik geen agressieve schoonmaakmiddelen

Audipack's general conditions of sales and delivery apply to all of Audipack's deliveries. These conditions can be downloaded from Audipack's website, www.audipack.com, or will be send by post on request.

Audipack liefert ausschließlich unter die allgemeinen Verkauf- und Lieferungsbedingungen von Audipack. Diese Bedingungen sind zum Herunterladen verfügbar auf die Webseite von Audipack, www.audipack.com, oder werden Ihnen auf Anfrage per Post gesendet.

Alle leveringen geschieden uitsluitend volgens de Algemene Verkoop- en Leveringsvoorwaarden van Audipack. Een afschrift hiervan kunt u downloaden van de website van Audipack, www.audipack.com, of wordt u op aanvraag gestuurd per post.

Les conditions de Vente et de livraison de Audipack s'appliquent à tous les livraisons de Audipack. Ces conditions sont disponibles sur le site internet de Audipack, www.audipack.com, où seront envoyé par poste sur demande.

AUDIPACK

Industriestraat 2-4

2751 GT Moerkapelle

The Netherlands

Tel: +31(0)795931671

Fax: +31(0)795933115

Email: audipack@audipack.com

www.audipack.com

Audipack reserves the right to make changes in specifications and other information contained in this document without prior written notice. The information provided herein is subject to change without notice. In no event shall Audipack be liable for any incidental, special, indirect, or consequential damages whatsoever, including but not limited to lost profits, arising out of or related to this manual or the information contained herein, even if Audipack has been advised of, known, or should have known, the possibility of such damages.