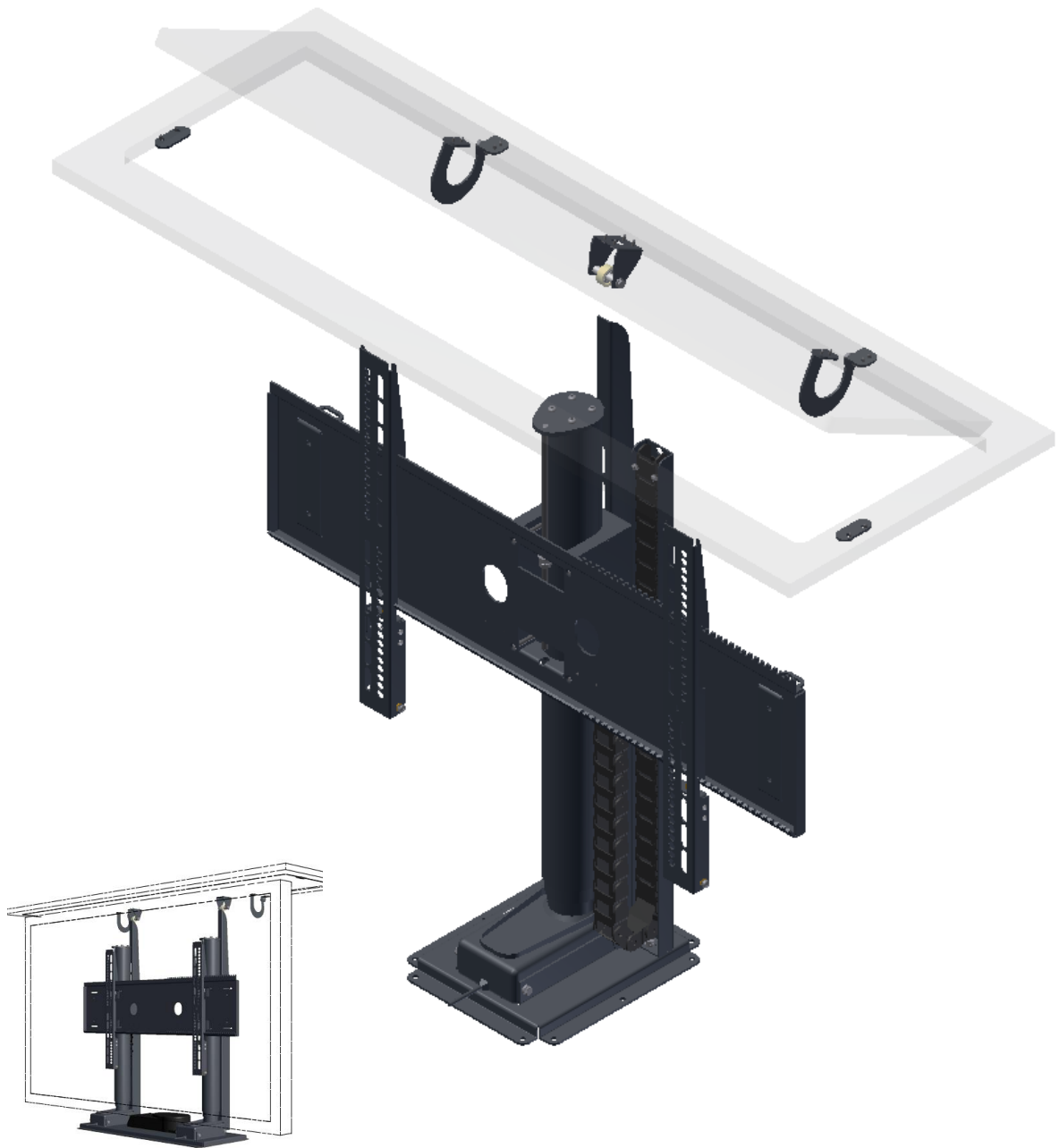


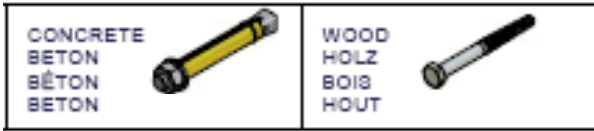
Telescopic lift systems

Mounting instructions



1.

Install the VC lift system on the bottom of the cabinet.
Make sure the system is positioned level in all directions and free of obstructions
Use all available mounting points to install the system

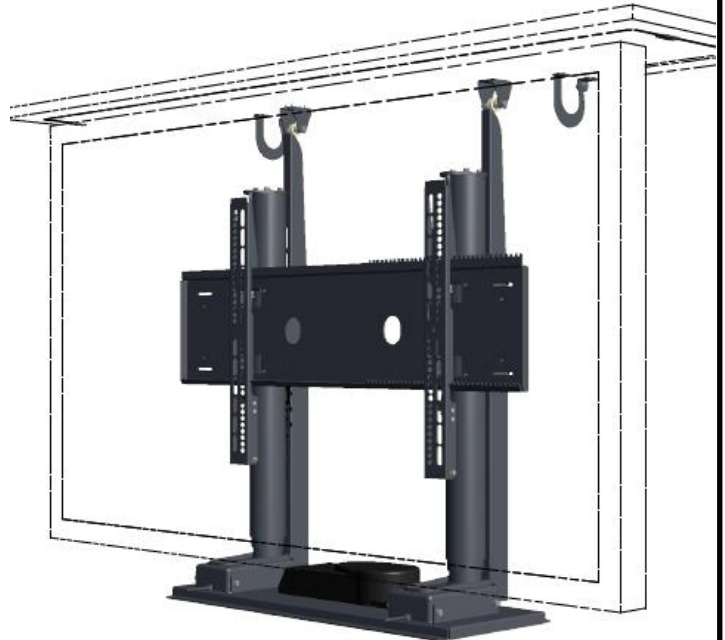


2.

Be sure that the system is positioned in a way that it is centered in the table top cut out.

The cut out in the table top is determined by the size (width) of the monitor and lift system (depth). Apply extra space next to the monitor for clearance. The panel thickness may not exceed 20mm.

Check the given lift dimensions for placing the lift in the furniture.

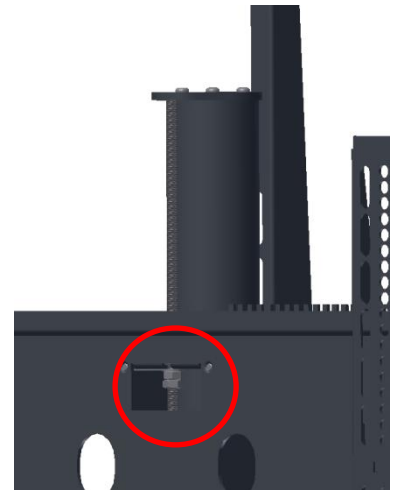
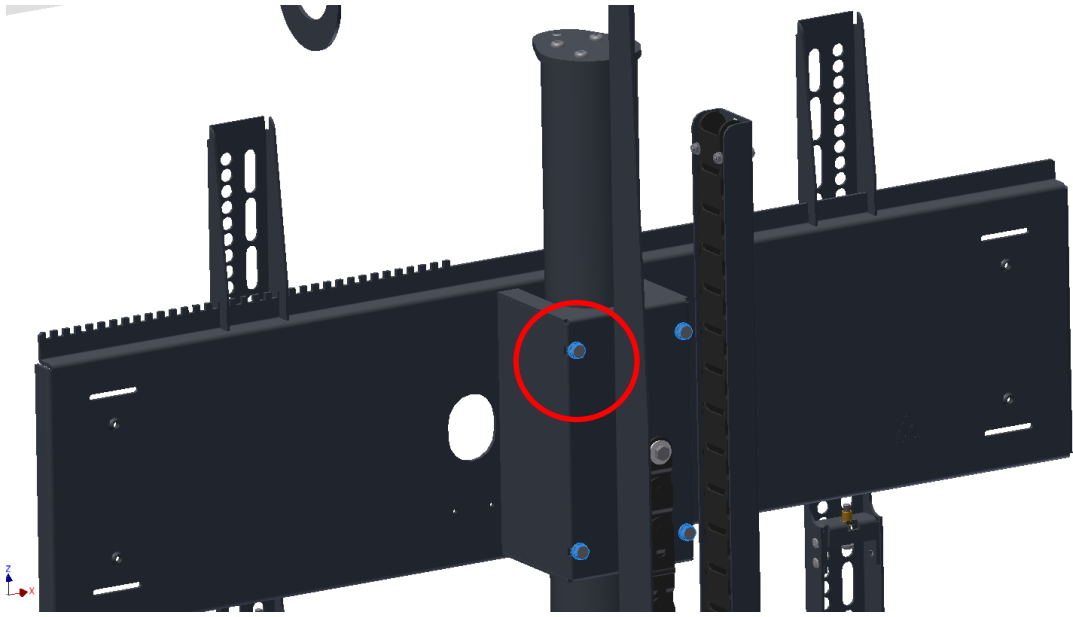


3.

The telescopic lift system is equipped with an universal monitor mount.
It is possible to re-adjust the basic position of the monitor by adjusting the height of the mount on the column(s).

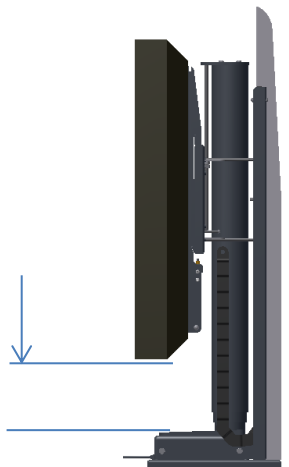
3.

The telescopic lift system is equipped with an universal monitor mount. It is possible to re-adjust the basic position of the monitor by adjusting the height of the mount on the column(s). Loosen the 4 rear screws and adjust the height by setting a new height with the M8 rod in the front.



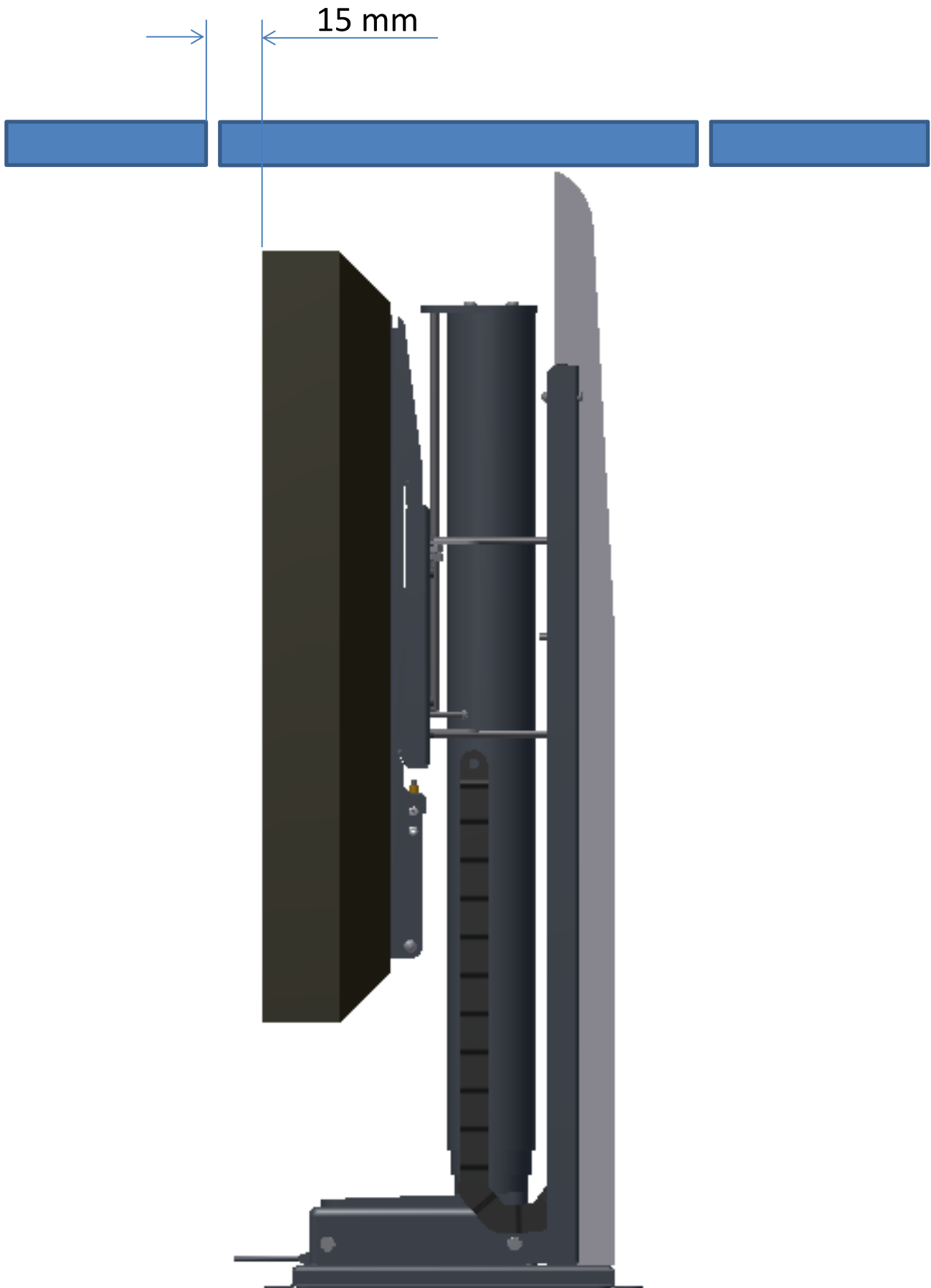
4.

The start position of the screen determines the needed height for the furniture. For the best lowest result, install the screen in lowest position just above the motor foot.



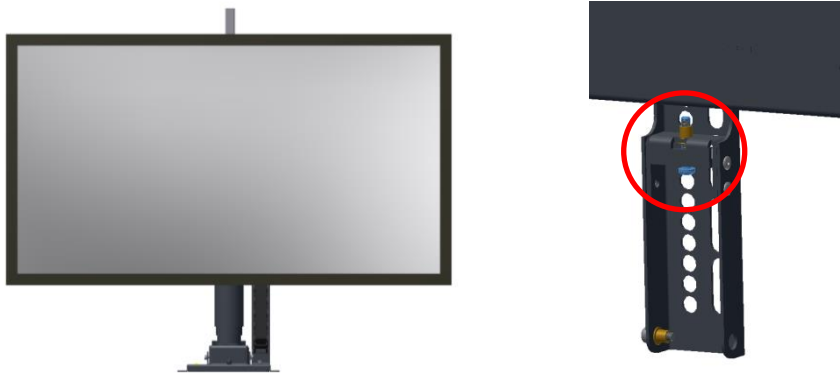
4a.

Be aware that there's a minimum safety distance needed between the front of the screen / TV and the cut out in the furniture.
The free space must be at least 15 mm.



5.

Install the monitor with all needed mounting facilities to the mount. Line out the screen parallel with the cut out in the furniture. Lock the locking screw on the bottom of the arms



6.

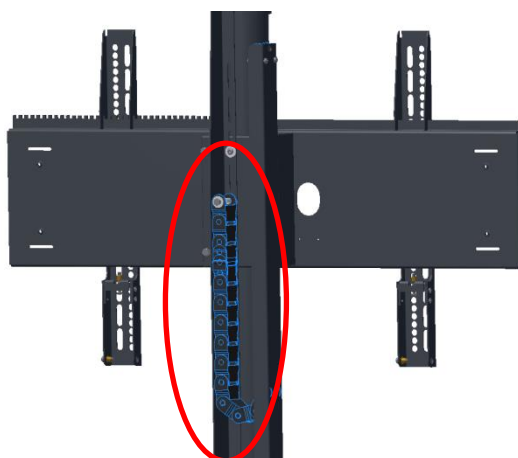
Install the provided hinges to the furniture and lid, and place the guidance roll in line with the rib (mounted on the lift).

When the system is in operation, the roll should guide the lid in aprox. 80 degrees open position. The vertical position of the roll on the lid influences the opening angle.



7.

When provided, install the monitor cables in the cable guidance of the lift.



8.

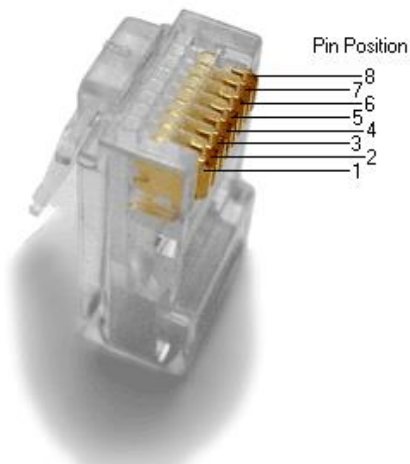
For connecting or activating the system the standard applied table switch can be used.



When the system must be connected or activated with an external controll system, use the below listed option:

- use a separate potential free relay or switch with neutral middle position for each direction
- always use potential free contact closures (dry contacts)
- switching time delay of at least 0.5 seconds for up and down direction.

For use with an external controll system the standard cable can be modified by cutting of the switch and use below listed / attached colour scheme to activate the system. Second option is to use a new controll cable with an RJ45 connector.



- Pos. 8 red (common)**
- Pos. 5 green (op)**
- Pos. 4 blue (neer)**



Remark:

This system is only applicable for flat panels.

Application for different equipment must be consulted with Audipack.

Product modifications not performed by Audipack will end product warranty.

Technical data:

Primary power supply 230 VAC 50-60 HZ / 12-24 V DC (external power supply standard supplied)

Cool-down period; 1 minute controll, 8 minutes pauze.

Audipack's general conditions of sales and delivery apply to all of Audipack's deliveries. These conditions can be downloaded from Audipack's website, www.audipack.com, or will be sent by post on request.

Audipack liefert ausschließlich unter die allgemeine Verkauf- und Lieferungsbedingungen von Audipack. Diese Bedingungen sind zum downloaden verfügbar auf die Webseite von Audipack, www.audipack.com, oder werden Ihnen auf Anfrage per Post gesendet.

Alle leveringen geschieden uitsluitend volgens de Algemene Verkoop- en Leveringsvoorwaarden van Audipack. Een afschrift hiervan kunt u downloaden van de website van Audipack, www.audipack.com, of wordt u op aanvraag gestuurd per post.

Les conditions de vente et de livraison de Audipack s'appliquent à tous les livraisons de Audipack. Cette conditions sont disponible sur le site internet de Audipack, www.audipack.com, où seront envoyé par poste sur demande.

AUDIPACK

Industriestraat 2-4
2751 GT Moerkapelle
the Netherlands

Tel: +31(0)795931671
Fax: +31(0)795933115
Email: audipack@audipack.com

www.audipack.com

Audipack reserves the right to make changes in specifications and other information contained in this document without prior written notice. The information provided herein is subject to change without notice. In no event shall Audipack be liable for any incidental, special, indirect, or consequential damages whatsoever, including but not limited to lost profits, arising out of or related to this manual or the information contained herein, even if Audipack has been advised of, known, or should have known, the possibility of such damages.