

VC lift system

Mounting guide



1. Install the VC lift system on the bottom of the cabinet.

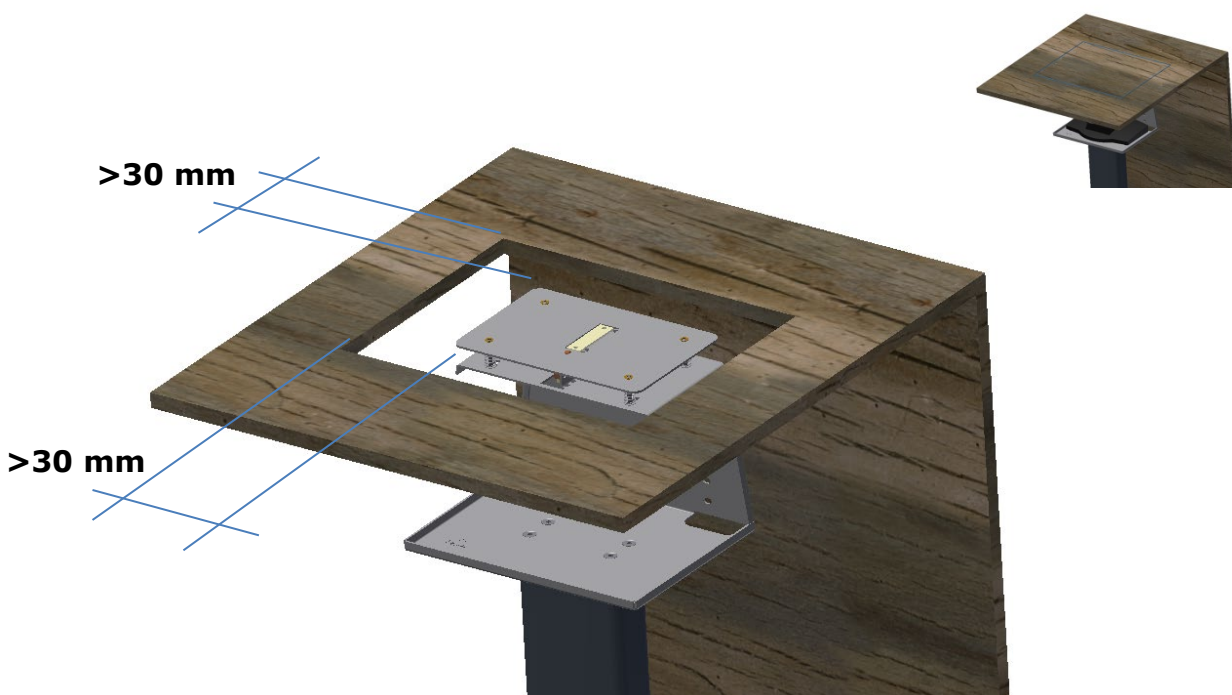
**Make sure the system is positioned level in all directions and free of obstructions
Use all available mounting points to install the system**



Be sure that the system is positioned in a way that it is centered in the table top cut out.

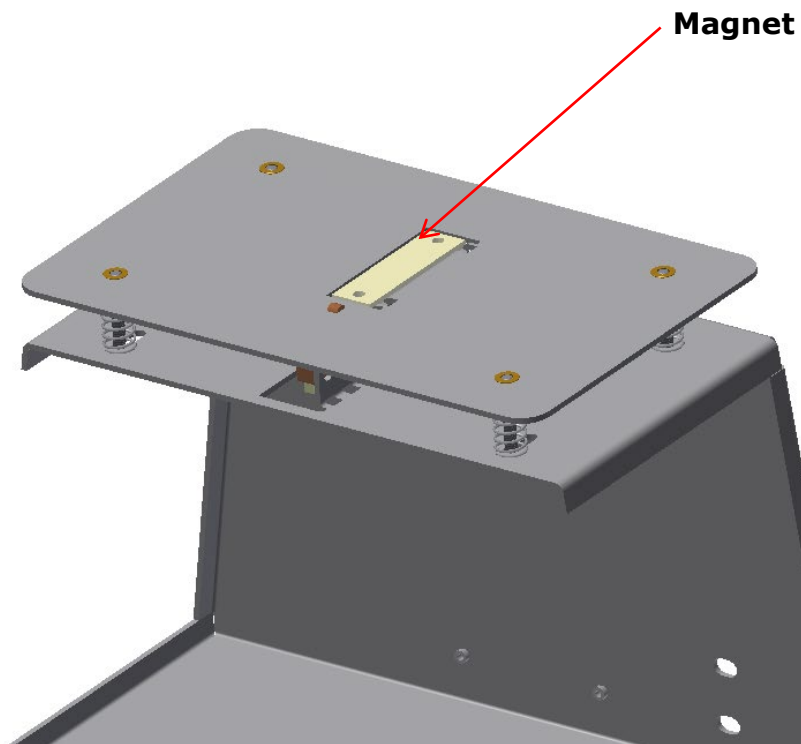
The cut out in the table top is determined by the size of the lifting platform and size of the applicable camera. The largest size of the up and down going part must be covered by a finishing panel. The finishing panel must be enlarged that it is 30 mm bigger all around than the metal lift part or largest component. The finishing panel is mounted with a magnet and allows to release in case of pinching danger.

When the camera is raised above the table top keep in mind that the finishing panel is also bigger than the lower part of the camera holder.



2.

**When the lift is installed the finishing panel can be installed.
Mount the panel to the magnet.
Use the attached drawing for accurate positioning.**



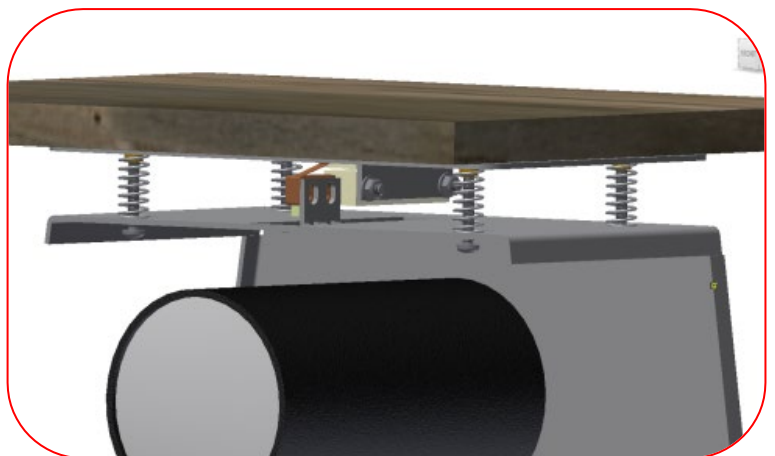
3.

**When the panel is installed, the height position can be adjusted with the screws in the springs. The screws allow only a small adjustment height.
Level the system when more adjustment is needed.**

Functionality springs, limit switch and magnet:

**The build in switch is a safety switch that detects a load or object standing on the finishing hatch. The system will stop lifting.
The springs will push back the panel in original position.**

**The magnet makes sure that the finishing panel can click off when an object is caught between the table top and finishing in lowering mode.
Machine directive obligates to make the 30 mm safety distance.**

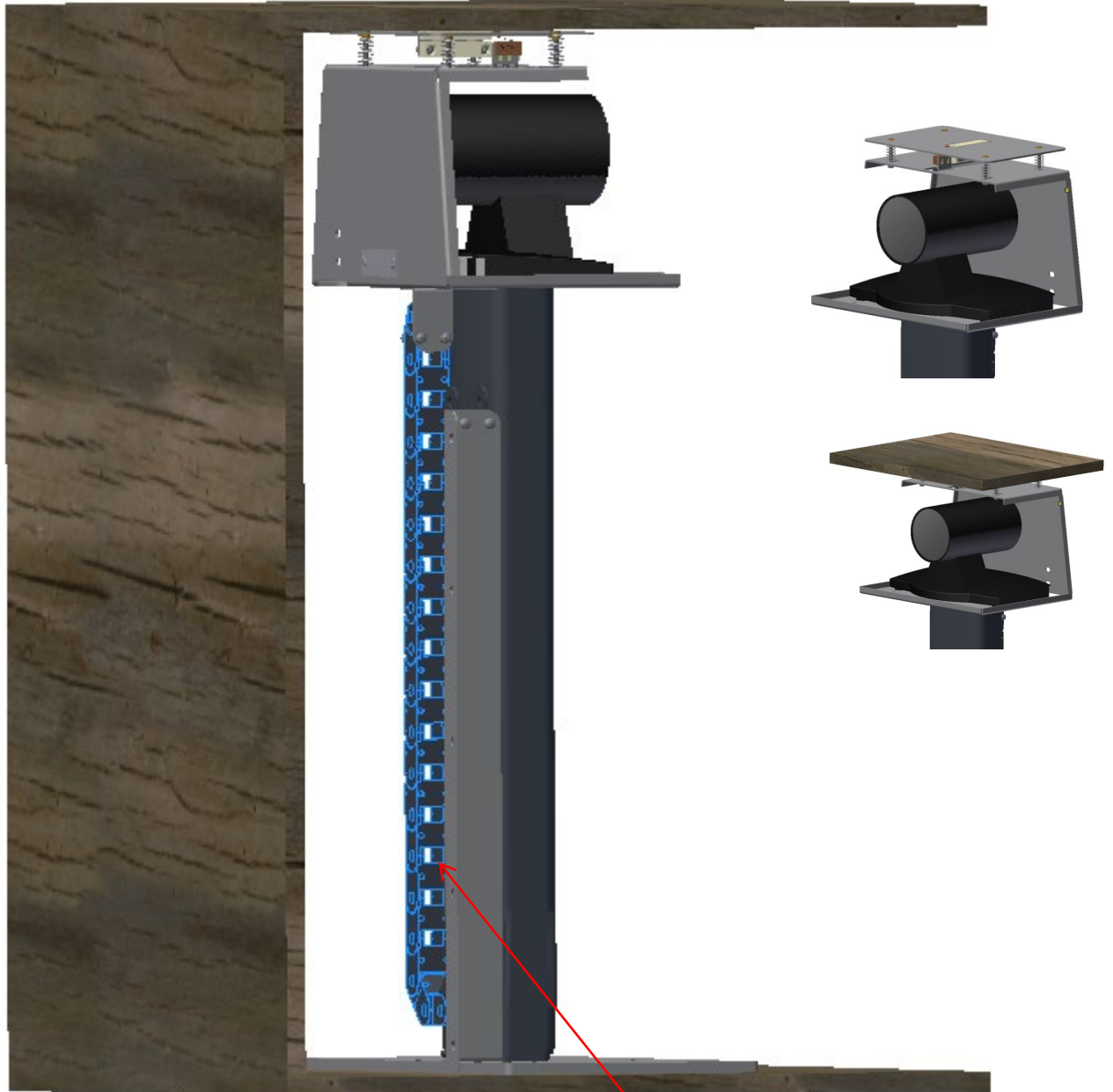


4.

Once the lift is installed, the camera can be installed in the lift (in the camera holder).

The power and signal cable can be guided in the cable guidance.

For inserting peel the guidance open and insert the cable; close neatly after installing.



Cable guidance

5.

For connecting or activating the system the standard applied table switch can be used.

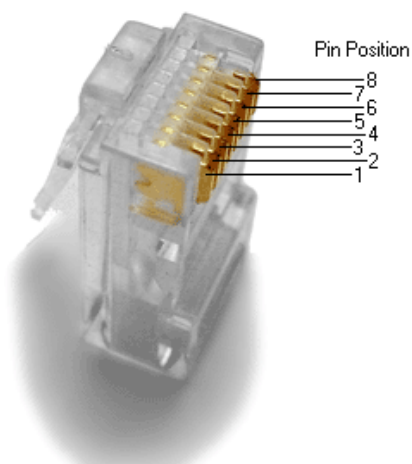


When the system must be connected or activated with an external control system, use the below listed option:

- use a separate potential free relay or switch with neutral middle position for each direction**
- always use potential free contact closures (dry contacts)**
- switching time delay of at least 0.5 seconds for up and down direction.**

For use with an external control system the standard cable can be modified by cutting of the switch and use below listed / attached colour scheme to activate the system.

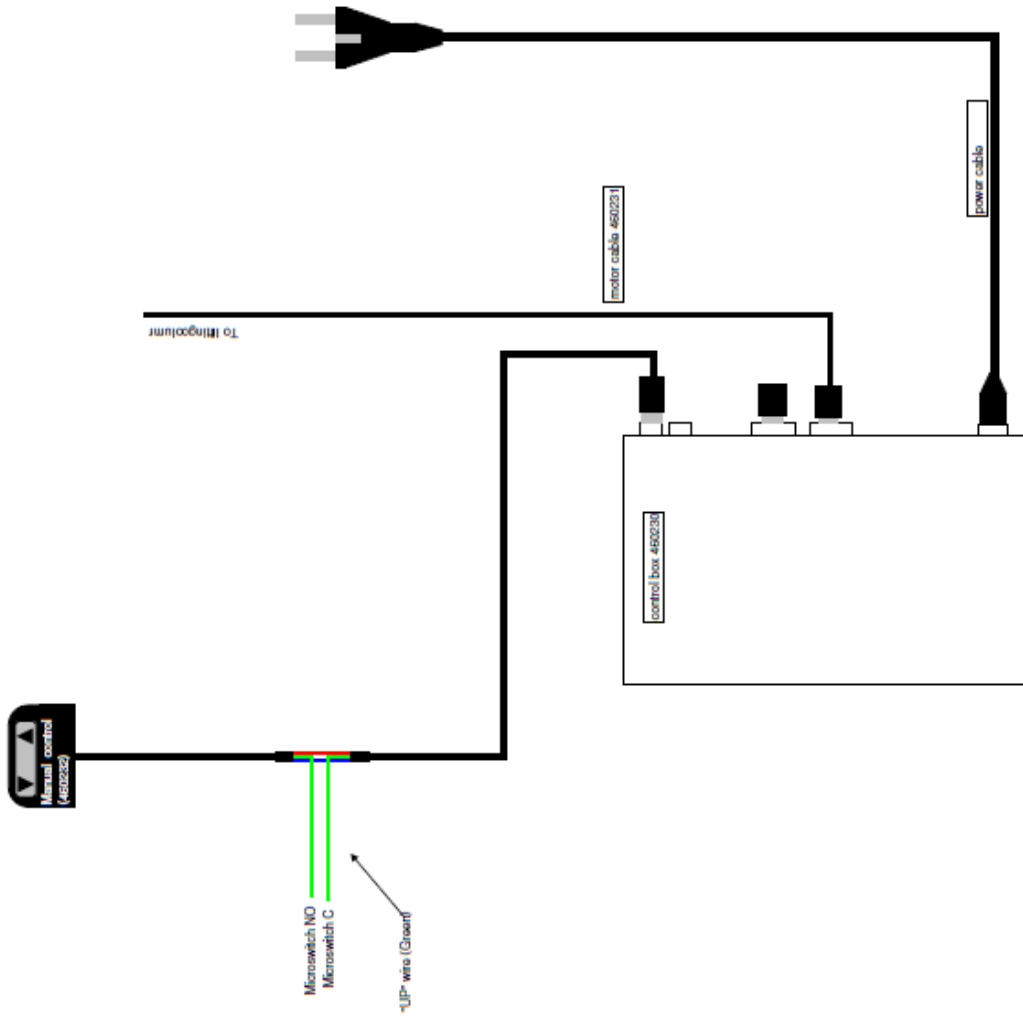
Second option is to use a new control cable with an RJ45 connector.



Depending on the used lift column, the below listed connections must be made.

UP / Down = Red or Grey
Down / UP = Green or Brown
Common = Blue or white

6.



<p>© COPYRIGHT AUDIPACK This print and the information shown thereon, is the property of AUDIPACK. It may not be delivered to others nor reproduced for general circulation without the written consent of the AUDIPACK engineering department.</p> <p>Wiring diagram</p>	 <p>AUDIPACK Industriestraat 2-4 2751 GT Moerkapelle the Netherlands Tel: +31(0)796031671 Fax: +31(0)79603115 www.audipack.com</p>
--	--

Remark:

This system is only applicable for small camera's and equipment.

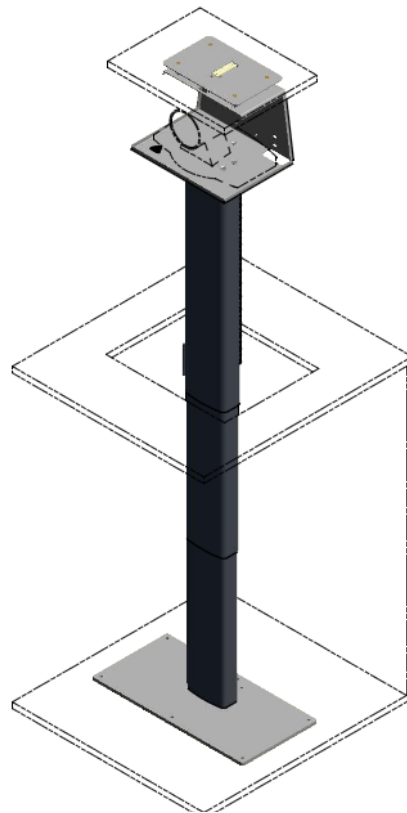
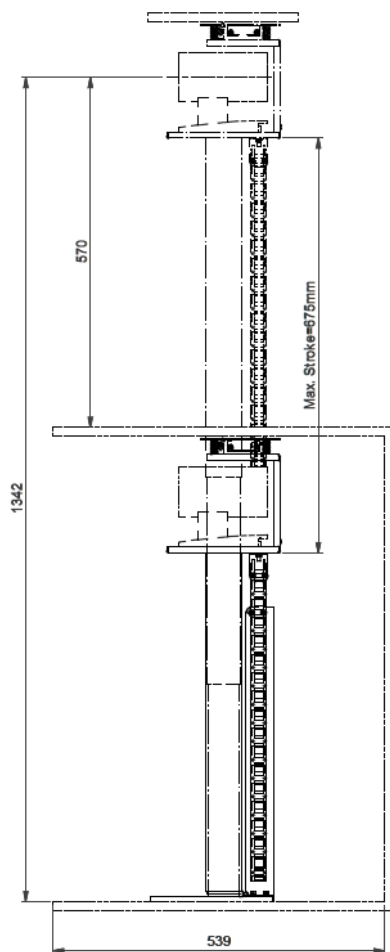
Application for different equipment must be consulted with Audipack.

Product modifications not performed by Audipack will end product warrenty.

Technical data:

Primary power supply 230 VAC 50-60 HZ / 12-24 V DC (external power supply standard supplied)

Cool-down period; 1 minute control, 8 minutes pause.



Audipack's general conditions of sales and delivery apply to all of Audipack's deliveries. These conditions can be downloaded from Audipack's website, www.audipack.com, or will be sent by post on request.

Audipack liefert ausschließlich unter die allgemeine Verkauf- und Lieferungsbedingungen von Audipack. Diese Bedingungen sind zum downloaden verfügbar auf die Webseite von Audipack, www.audipack.com, oder werden Ihnen auf Anfrage per Post gesendet.

Alle leveringen geschieden uitsluitend volgens de Algemene Verkoop- en Leveringsvoorwaarden van Audipack. Een afschrift hiervan kunt u downloaden van de website van Audipack, www.audipack.com, of wordt u op aanvraag gestuurd per post.

Les conditions de vente et de livraison de Audipack s'appliquent à tous les livraisons de Audipack. Cette conditions sont disponible sur le site internet de Audipack, www.audipack.com, où seront envoyé par poste sur demande.

**AUDIPACK
Industriestraat 2-4
2751 GT Moerkapelle
the Netherlands**

Tel: +31(0)795931671

Fax: +31(0)795933115

Email: audipack@audipack.com

www.audipack.com

Audipack reserves the right to make changes in specifications and other information contained in this document without prior written notice. The information provided herein is subject to change without notice. In no event shall Audipack be liable for any incidental, special, indirect, or consequential damages whatsoever, including but not limited to lost profits, arising out of or related to this manual or the information contained herein, even if Audipack has been advised of, known, or should have known, the possibility of such damages.