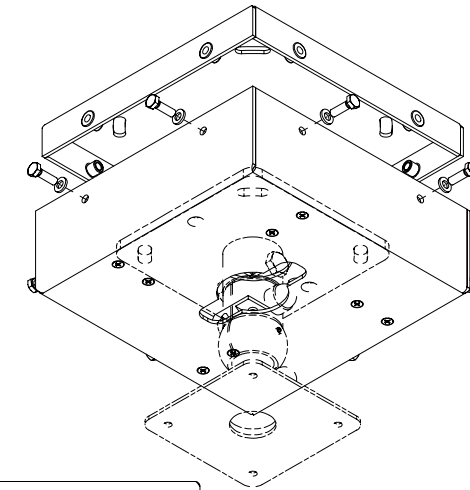
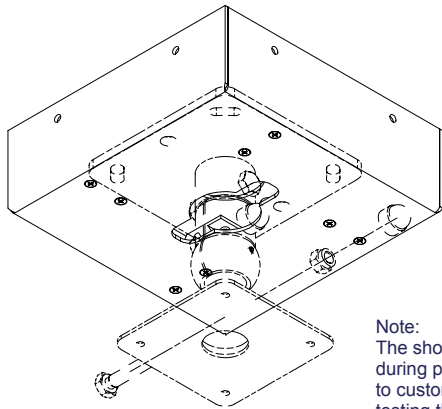
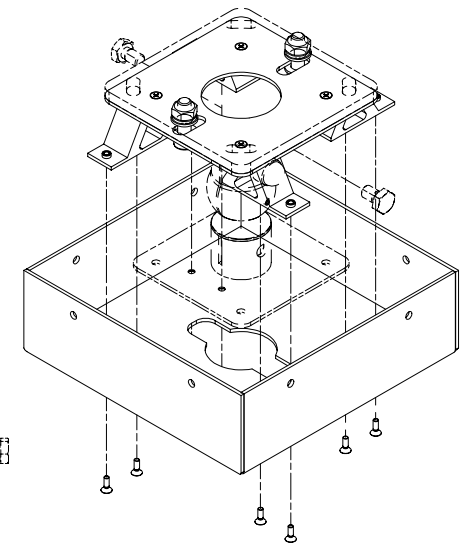
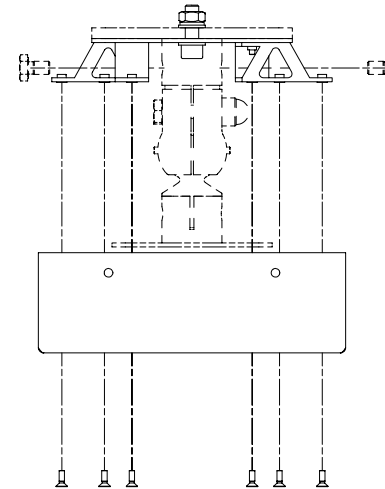
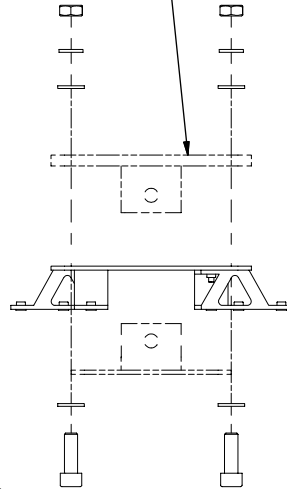
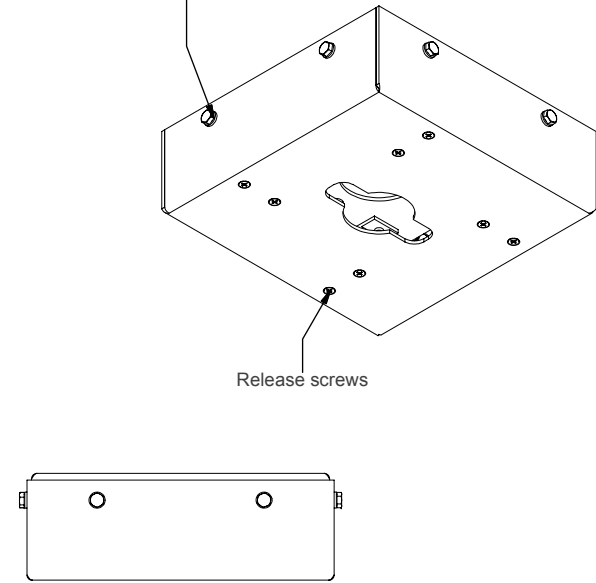


Release screws

Release screws

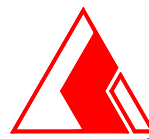
Mount 390061/390065



**Note:**  
The shock absorbing ceiling mount is an aid for reducing vibrations during projection in unstable situations. In some occasions it may be necessary to customize the absorbers to achieve a better balance. This is only possible while testing the configuration.

**NOTE:** All dimensions are  $\pm$ ..., in mm and subject to change

© COPYRIGHT AUDIPACK  
This print and the information shown thereon, is the property of AUDIPACK.  
It may not be delivered to others nor reproduced for general circulation without the written consent of the AUDIPACK engineering department.



AUDIPACK®

**AUDIPACK**  
Industriestraat 2-4  
2751 GT Moerkapelle  
the Netherlands

Tel: +31(0)795931671  
Fax: +31(0)795933115

www.audipack.com

**MOUNTING GUIDE**

392193

**Shock absorbing Ceiling mount**

26-9-2008

