

NOTE: All dimensions are ±..., in mm and subject to change

© COPYRIGHT AUDIPACK
 This print and the information shown
 thereon, is the property of
 AUDIPACK.
 It may not be delivered to others nor
 reproduced for general circulation
 without the written consent of the
 AUDIPACK engineering department.



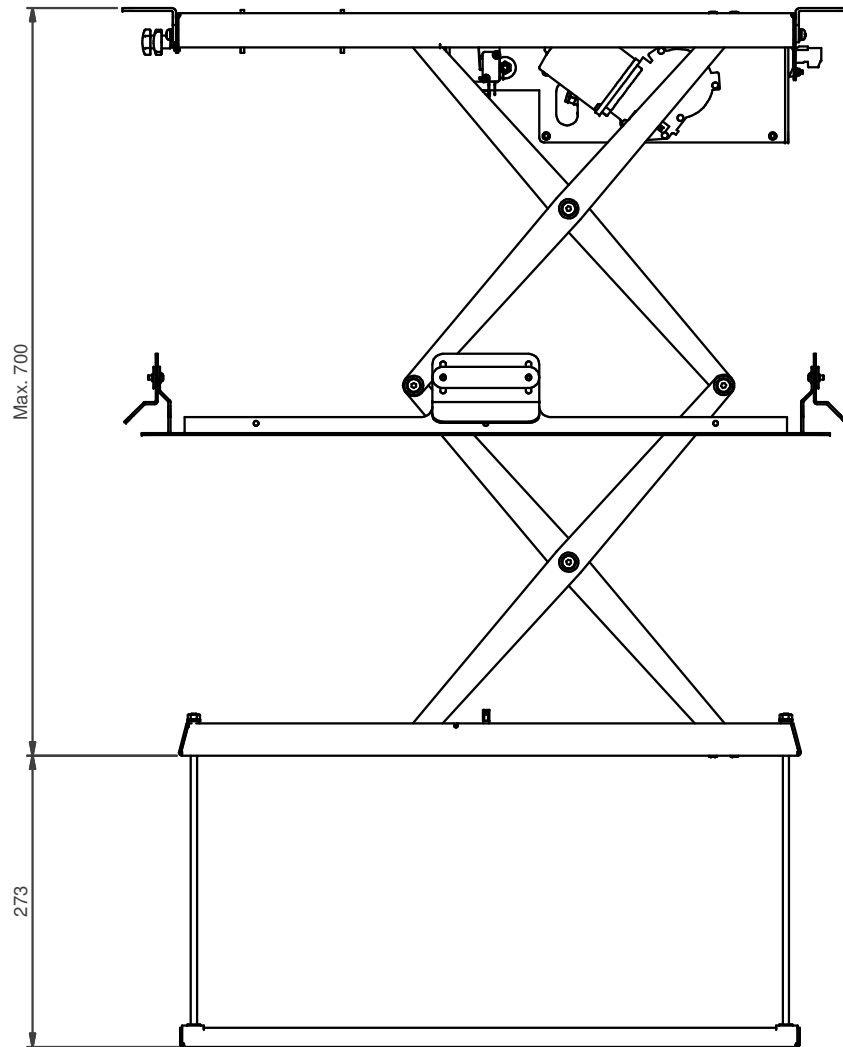
AUDIPACK
 Industriestraat 2-4
 2751 GT Moerkapelle
 the Netherlands
 Tel: +31(0)795931671
 Fax: +31(0)795933115
 www.audipack.com

PRESENTATION
 VCCL-PED-2

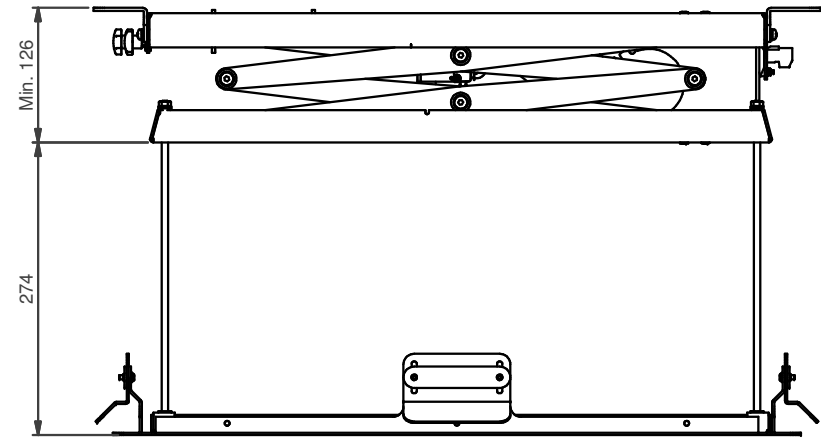
CEILING CAMERA LIFT

Dimensions are indications, not to be used for any preparations. No rights can be derived from the above dimensions.

OPEN 1 : 5



CLOSED 1 : 5



NOTE: All dimensions are \pm ..., in mm and subject to change

© COPYRIGHT AUDIPACK
 This print and the information shown
 thereon, is the property of
 AUDIPACK.
 It may not be delivered to others nor
 reproduced for general circulation
 without the written consent of the
 AUDIPACK engineering department.



AUDIPACK
 Industriestraat 2-4
 2751 GT Moerkapelle
 the Netherlands

Tel: +31(0)795931671
 Fax: +31(0)795933115

www.audipack.com

PRESENTATION
 VCCL-PED-2

CEILING CAMERA LIFT