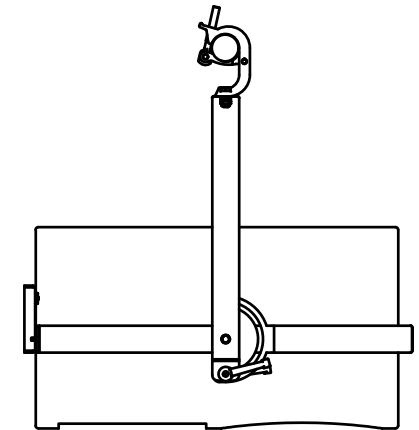
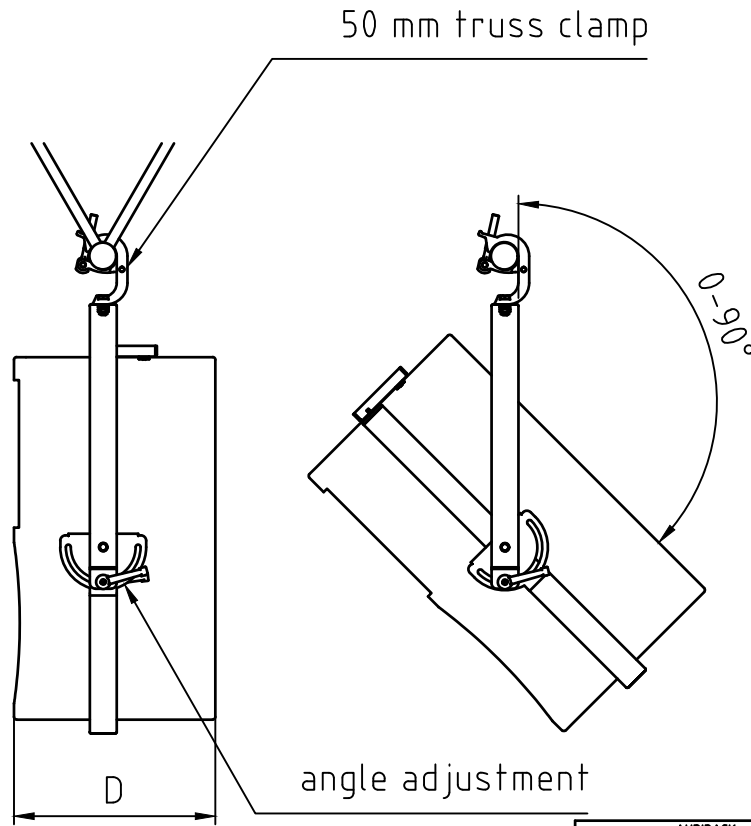
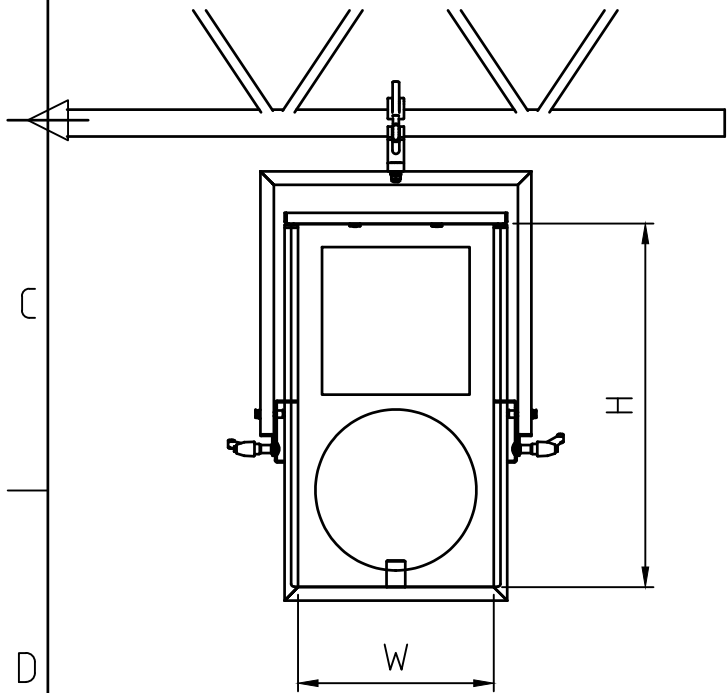
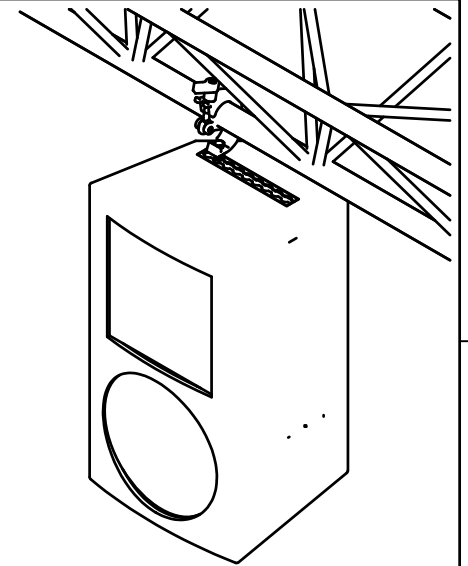
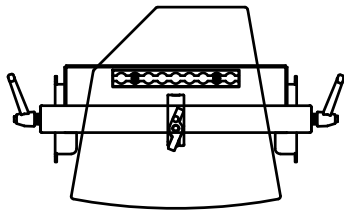



Standard "speaker in mount" installation is use of tripod pin, lock to speaker Rail and vertical casing clamp system. Always use in combination with optional safety cable 399941

Speaker brand :  
 Type :  
 Installation method (tripot / rail):

Please add dxf or dwg drawing



 <b>AUDIPACK</b> <small>Industriestraat 2        7221 GT Hoerakapelle        the Netherlands        tel. +31(0)795931671        fax. +31(0)795933115        www.Audipack.com</small>	Material: Treatment:	TOLERANCES, UNLESS NOTED OTHERWISE: ISO 2768-m
	Drawn by: Name: <b>Julian</b> Date: <b>08-05-2019</b> Checked by: Appr. by:	Sheet: 1 of 1 Scale: 1:15 Format: A4
<small>© COPYRIGHT AUDIPACK          This print and the information shown thereon, is the property of AUDIPACK.          If any not be delivered to others nor reproduced for general circulation without the written consent of the AUDIPACK engineering department</small>	Description: <b>speaker request form</b>	Part Number: <b>LTM</b>