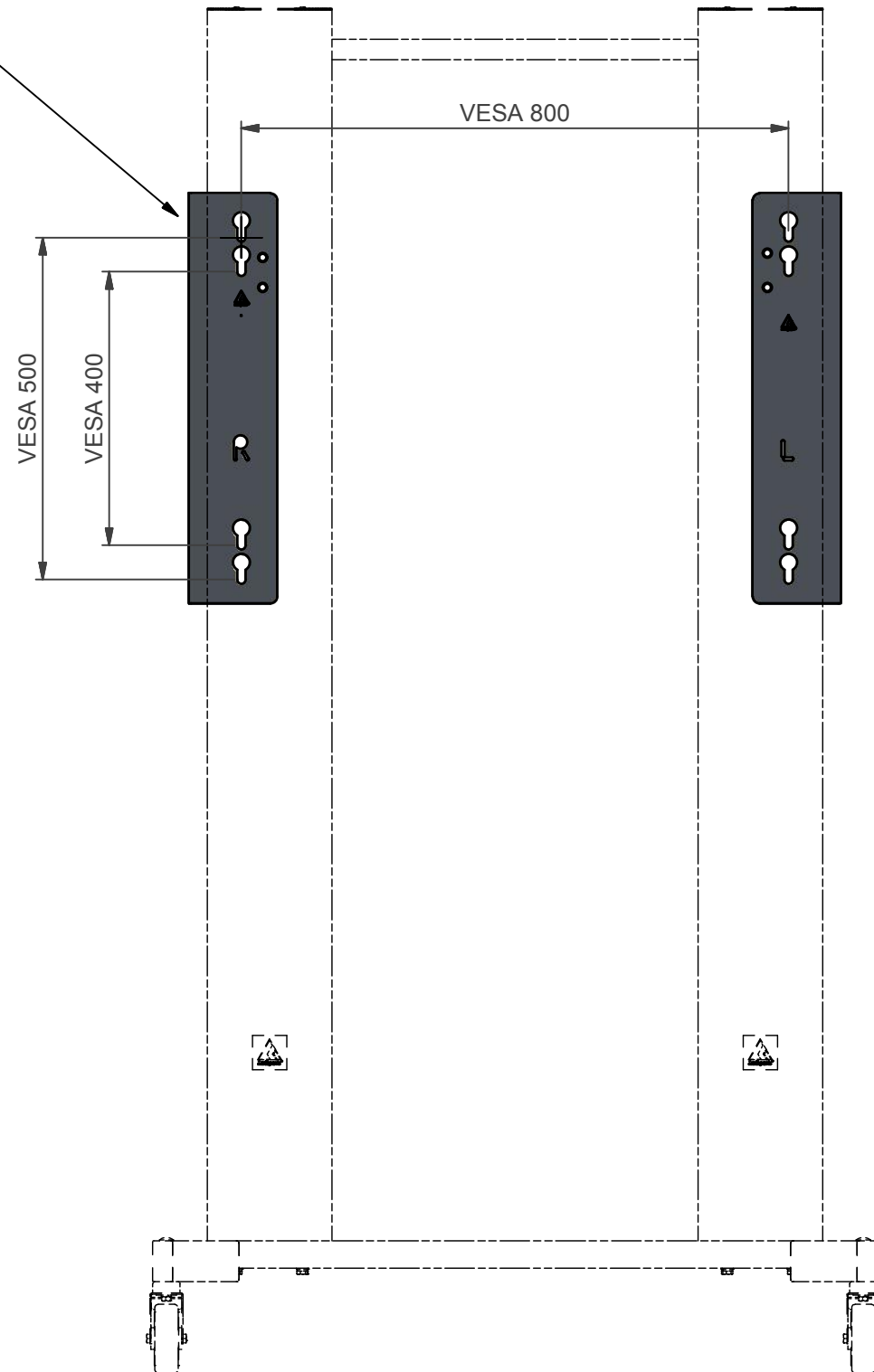
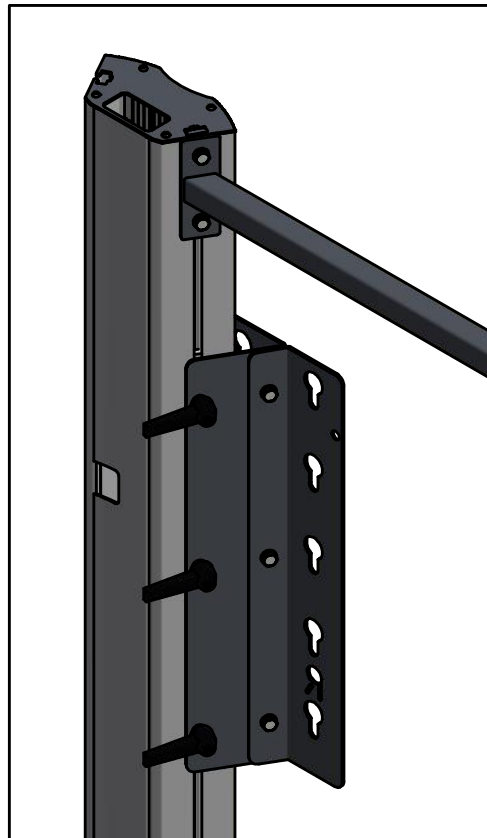


Plaats de montage onderdelen van de standaard oren op de P6809. Hierbij gaat het om de:

- Knevels
- Haak
- Strip

Standaard



NOTE: All dimensions are ±..., in mm and subject to change

© COPYRIGHT AUDIPACK
 This print and the information shown thereon, is the property of AUDIPACK.
 It may not be delivered to others nor reproduced for general circulation without the written consent of the AUDIPACK engineering department.



AUDIPACK
 Industriestraat 2-4
 2751 GT Moerkapelle
 the Netherlands
 Tel: +31(0)795931671
 Fax: +31(0)795933115
 www.audipack.com

Situation
 P6809 Situation

Montageoren voor VESA 800 x 500 &
 400