



### The easiest way to set up your mobile presentation.

The Audipack FSW-Atlas trolley is an all-in-one trolley with invisible integrated audio in the columns.

In addition, there's also a 3-fold power strip integrated for connecting the monitor and optional equipment.

In the wheel frame of the trolley you will find a PowerCON power connection, HDMI, RJ45, and space for extra connections.

With a Lock & Secure 5 mounting bracket, the screen is easily installed. The screen height is adjustable in several different positions.

For installing additional equipment such as mini pc's and wireless presentation equipment, Audipack provides several brackets, even with integrated power distribution.

- ▲ **Lockable wheels**
- ▲ **Easy equipment installation**
- ▲ **Powercon power, HDMI and RJ45 in wheelframe**
- ▲ **Integrated 3-fold power strip F, CEE 7/4**
- ▲ **Landscape flat panel positioning**
- ▲ **Integrated passive audio**



Built-in speakers



Integrated 3-fold power strip to easily connect equipment



Source and various connections in wheel frame



Optional equipment holder EC-1 or EC-1AC (incl. 3-fold power strip F, CEE 7/4)

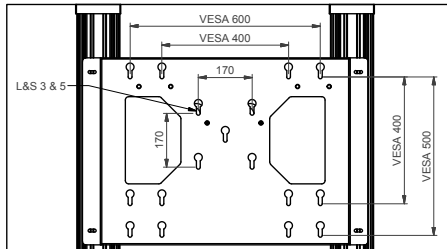


# Audipack®

It's great to have solutions...

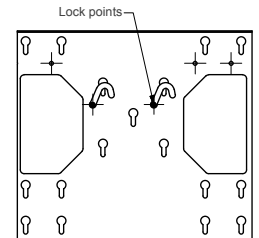
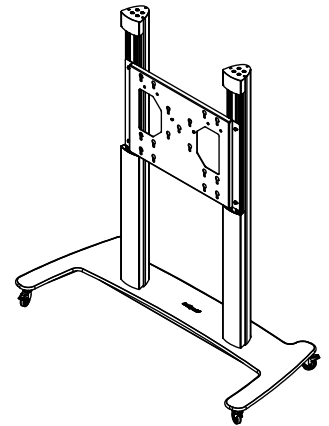
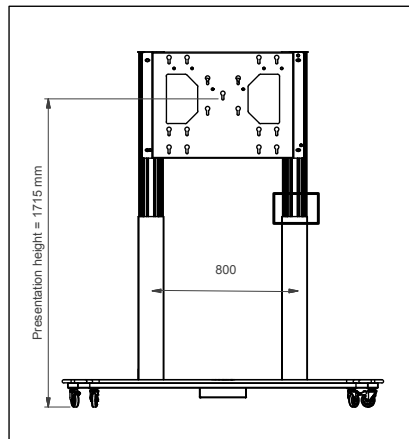
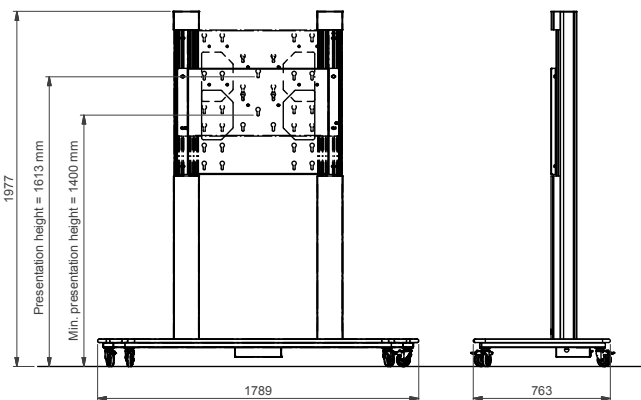
# FACT SHEET

## FSW-ATLAS-XL



Can be transported through a standard door  
780 mm x 2000 mm

Speaker front at top moved  
to bottom side



### Technical specifications

Dimensions in mm	W 976 x D 685 x H 1977
Nett. weight	75 Kg
Max. load	85 Kg
Max. screen size	100"
Presentation height	1400 - 1715 mm (centre screen)
Mounting interface	L&S 3 & 5, VESA 400 & 600
Screen positioning	Landscape
Colour	Available in white 9016 or black RAL 9005 speaker front in white or black
Max power	2 x 30 Watt at 8 Ohm
Frequency	70Hz - 20 KHz

### Optional

- EC-1** equipment holder
- EC-1AC** equipment holder incl. 3-fold power strip F, CEE 7/4
- 491004** Stereo mini amplifier
- Mounting bracket to install your flat screen