



Quick installation!

Single column ceiling to floor installation for flat panels.

A free standing and solid solution in any environment.

A flat panel or touch screen is easily installed in the middle of the room or in front of a glass wall with the Audipack ceiling to floor solutions.

The column is invisible mounted between the floor and ceiling and makes it possible to mount one or several screens on one location.

The monitor cabling is easily stored in the internal cable ducts which are accessible from the outside.

- ▲ **A free standing solution**
- ▲ **Rigid and flexible construction**
- ▲ **Single or multi screen installation**
- ▲ **Integrated cable ducts**



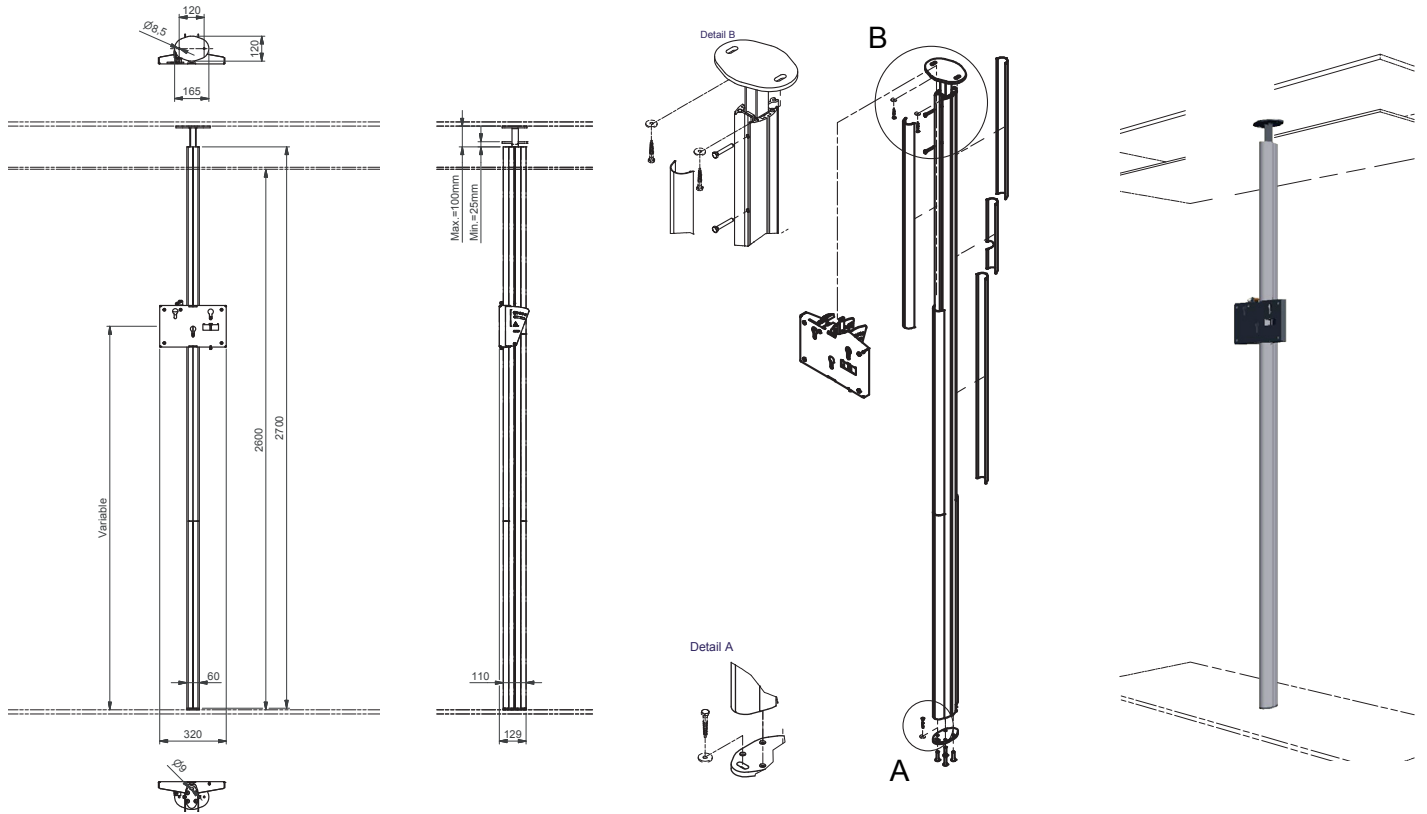


Audipack®

It's great to have solutions...

FACT SHEET

CTF-700-2700



Technical specifications

Length in mm	2700 Other lengths available on request
Mounting interface	L&S 3
Max. load	1 screen: 1x 50 Kg 2 screens: 2x 40 Kg 3 screens: 3x 30 Kg
Screen position	Adjustable along the entire length of the column
Screen orientation	Landscape Portrait
Colour	Mounting head and material: Black RAL 9005 Column: Anodized aluminium

Optional

- Mounting bracket (required for screen installation)
- Ceiling finishing ring
- Extra mounting head for multi screen installation
- Laptop supports
- Camera support
- Landscape/portrait adapter