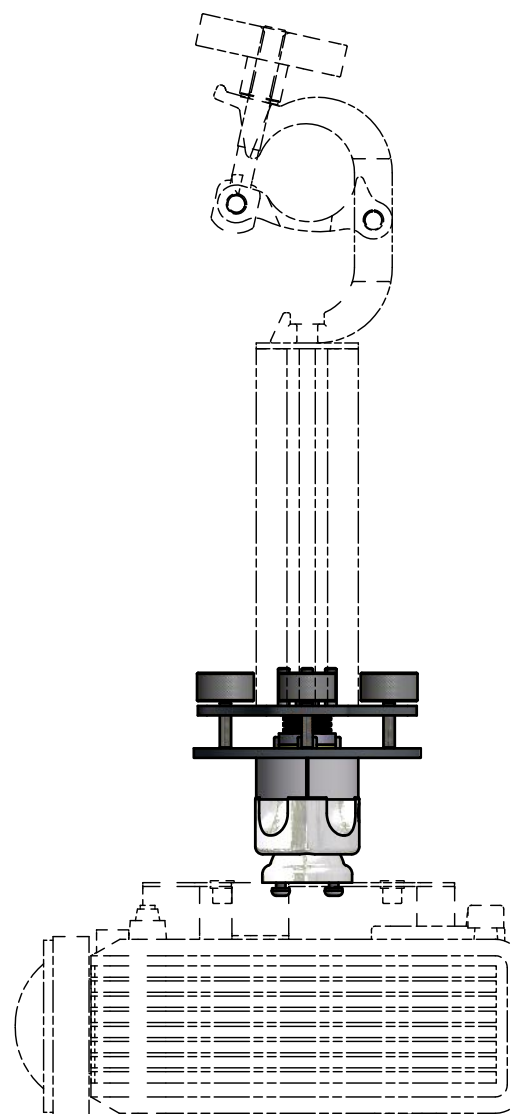
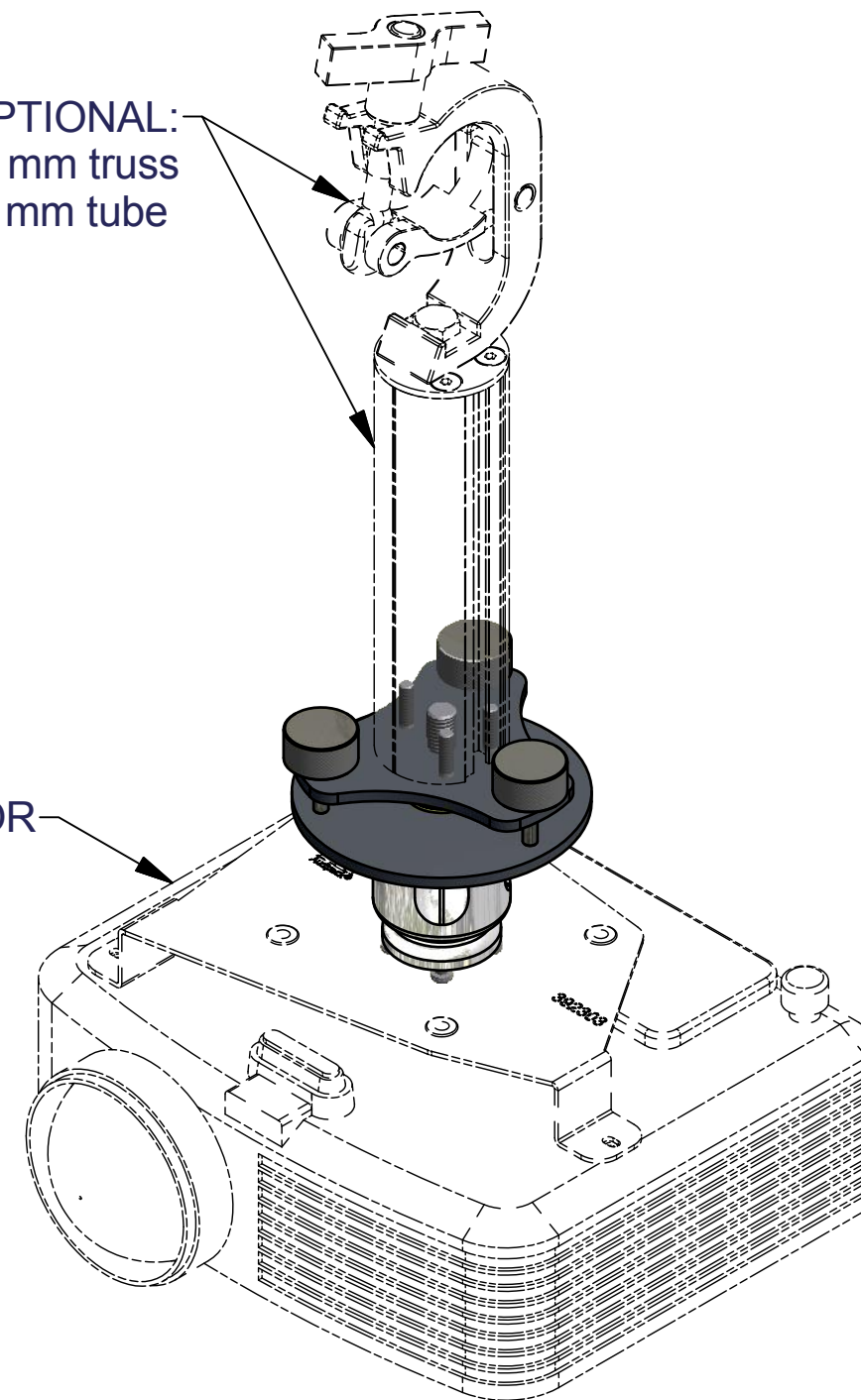


-3 up to +3 degrees fine tune adjustment  
Max. load 30 Kg



OPTIONAL:  
Trigger hook for 50 mm truss  
with the 54 mm tube

PROJECTOR



NOTE: All dimensions are  $\pm$ ..., in mm and subject to change

© COPYRIGHT AUDIPACK  
This print and the information shown  
thereon, is the property of  
AUDIPACK.  
It may not be delivered to others nor  
reproduced for general circulation  
without the written consent of the  
AUDIPACK engineering department.



**AUDIPACK**  
Industriestraat 2-4  
2751 GT Moerkapelle  
the Netherlands  
Tel: +31(0)795931671  
Fax: +31(0)795933115  
www.audipack.com

PRESENTATION  
BJ-3D1

3D ADJUSTMENT ACCESSORY for  
UTC

Dimensions are indications, not to be used for any preparations. No rights can be derived from the above dimensions.

