



# Audipack®

*It's great to have solutions...*

## FACT SHEET

### P2883



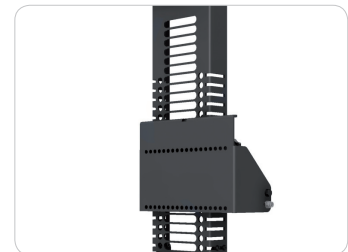
#### ***Static vertical Mirror Kit performed with a static square mirror***

The ceiling projection kit is a budget-friendly and elegant solution for the integration of an LCD projector over the ceiling.

The projector is mounted vertically to the ceiling projection kit over the false ceiling. The image is projected onto the screen through a mirror.

The mirror and the chrome plated bar to which it is mounted are the only visible parts below the false ceiling.

- ▲ ***Extra stable mirror mount***
- ▲ ***Durable***
- ▲ ***Including ceiling finishing mask in white RAL 9010***
- ▲ ***Wide range for projector adjustment***



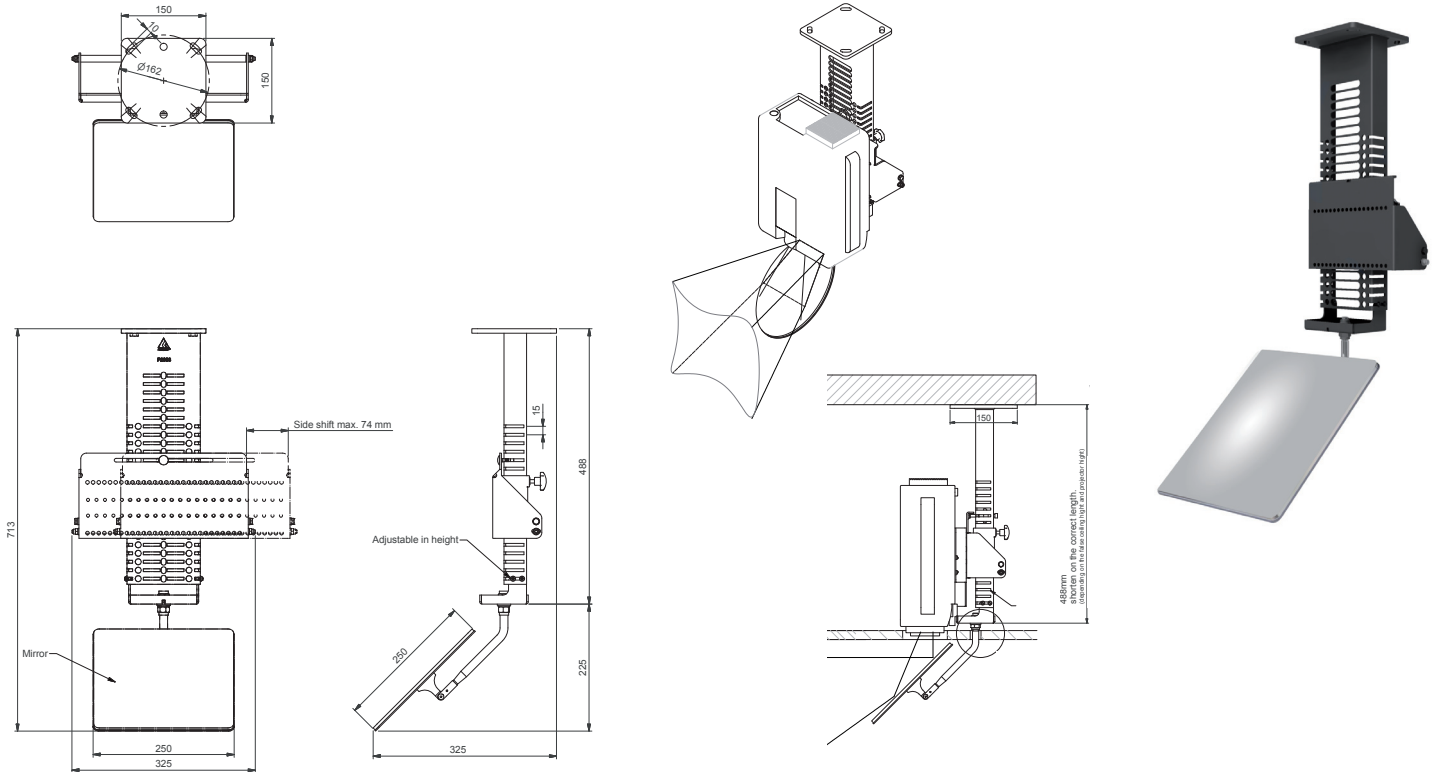


# Audipack®

It's great to have solutions...

# FACT SHEET

## P2883



### Technical specifications

Dimensions in mm	W150 x D150 x H480
Mirror dimensions in mm	Square W250 x H250
Min. / Max. projector height in mm	95 / 200
Max. load	10 Kg
Colour	Black RAL 9005
Nett weight	12 Kg

#### Note:

The projector is mounted vertically and must be able to work in that position

### Optional

- Brand related projector mount, required for projector installation
- Universal projector mount, required for projector installation
- Service hatches
- Shock absorbers
- Spacer frames

### Related products

- P1792, Vertical static Mirror-kit with oval mirror
- MKT-S195, Horizontal static Mirror-kit system