



Audipack®

It's great to have solutions...

FACT SHEET

390900

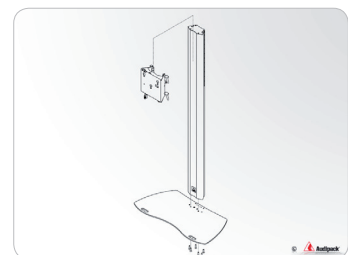


**One of the best floor stand for flat panels up to 60 Kg.
More suitable for fixed positions.**

Flat panel floor stand for semi-permanent use, it consists of a strong and solid vertical column, screwed to the bottom, supplied with a wide access hatch on the back for power, audio and data cables.

The presentation height of the flat panel is adjustable. This floor stand is suitable for flat panels with a maximum screen size of approx. 55 inch, in landscape or portrait orientation.

- ▲ **Modern design with anodized aluminium column**
- ▲ **Integrated ruler for screen height positioning**
- ▲ **Integrated yet easily accessible cable channel**
- ▲ **Suitable for all brands of flat panels**
- ▲ **Landscape and portrait orientation of the screen**



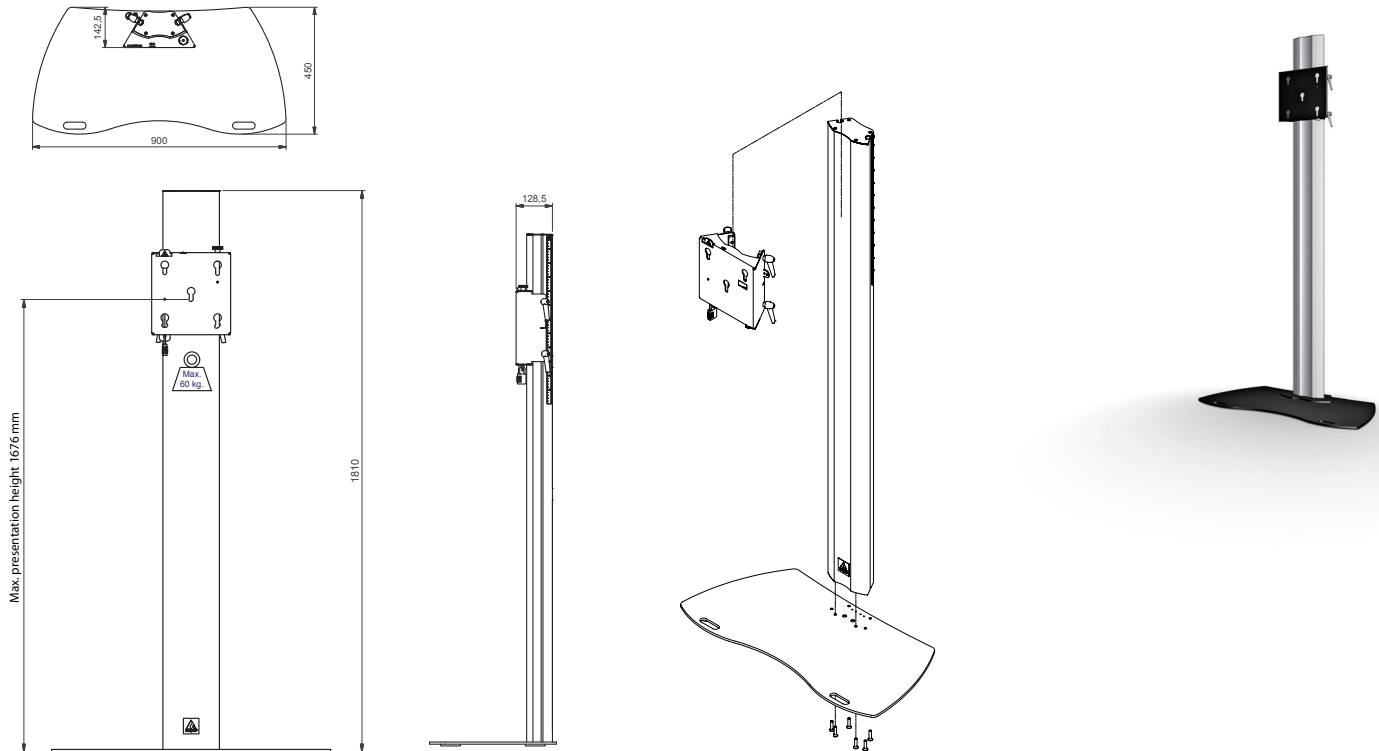


Audipack®

It's great to have solutions...

FACT SHEET

390900



Technical specifications

Dimensions in mm	W900 x D450 x H1821
Max. screen size	55 inch
Max. load	60 Kg
Mounting interface	L&S 5
Colour	Floor plate: Black, RAL 9005 Column: Anodized aluminium
Weight	39 Kg
Screen orientation	Landscape or Portrait

Optional

- Mounting bracket (required for screen installation)
universal models and brand related models available
- Laptop supports, 390915, 390916
- Camera support, 390931
- Laptop housings, 390937
- Equipment holders, EC-1, EC-1AC, EC-935, EC-936
- Mounting head for multiple screen installation, 390951
- Video conference mounting head, 390969, 390970
- Portrait/Landscape adapter, P3496
- Soundbar mounting interface, LSS-FS900
- Lock for protect the screen against theft, 230052