



Audipack®

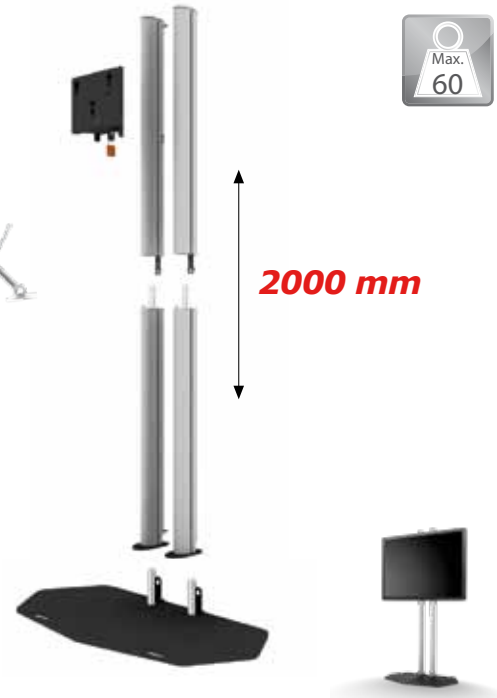
It's great to have solutions...

FACT SHEET

390702 (*BK)



Quick Release
No tools required



One of the best dividable floor stand for flat panels up to 60 Kg. No tools needed for assembling. The perfect rental product.

Flat panel floor stand for rental purposes. The quick release feature allows you to install the floor stand and screen on any location without tools.

The floor stand consists of two vertical columns, each with front and back covers. Each column has 3 separate cable passages allowing a separate passage of power, audio and data cables.

The presentation height of the flat panel is adjustable. This floor stand is suitable for flat panels with a maximum screen size of 65 inch, in landscape or portrait orientation.

- ▲ **No tools required for installation**
- ▲ **Integrated ruler for screen height positioning**
- ▲ **3 separate cable channels per column**
- ▲ **Suitable for all brands of flat panels**
- ▲ **Landscape and portrait orientation of the screen**



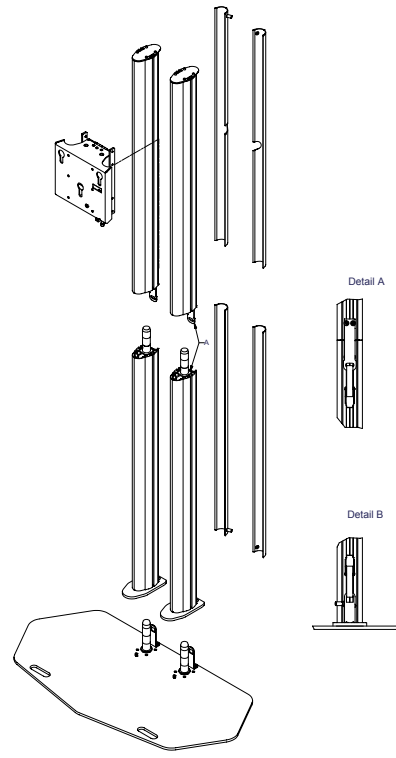
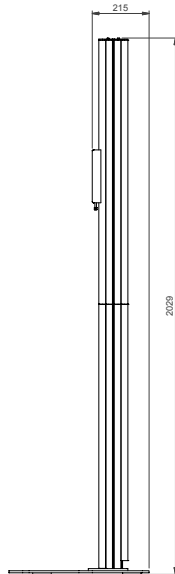
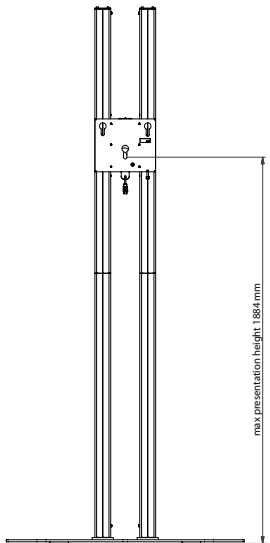
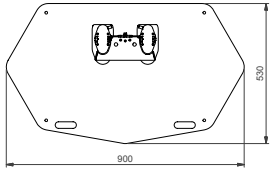


Audipack®

It's great to have solutions...

FACT SHEET

390702 (*BK)



Technical specifications

Dimensions in mm	W900 x D530 x H2029
Weight	46 Kg
Max. load	60 Kg
Max. screen size	65 inch
Max. pres. height	1884 mm (center screen)
Mounting interface	L&S 3
Screen positioning	Landscape or Portrait
Colour	Floor plate: Black, RAL 9005 Columns: Anodized aluminium

Optional

- Available with scratch resisting floorplate (390702BK)
- Mounting bracket (required for screen installation)
universal models and brand related models available
- Flightcase for safe transport of the floor stand and screen
- Laptop supports, 390715, 390716
- Laptop housings, 390737
- Equipment cabinets, EC-735, EC-736, EC-1, EC-1AC
- Camera support, 390738
- Mounting head for multiple screen installation, 390711
- Video conference mounting head, 390768, 390769
- Portrait/Landscape adapter, P3496
- Lock to protect the screen against theft, 230052
- Soundbar mounting interface, LSS-FS700
- Toploader flightcase for floor stand and accessories