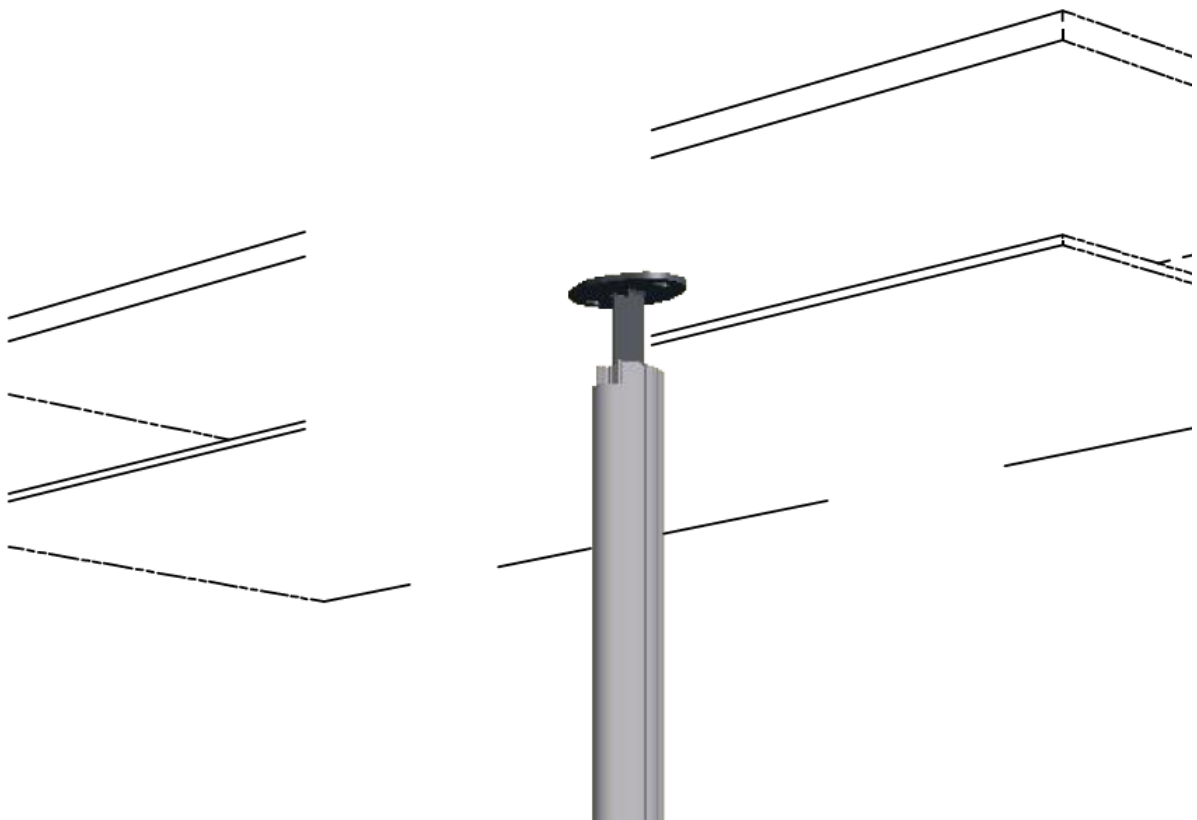


DWS-FCK

Floor to ceiling mounting set



What is needed for a correct installation?

Standard in the package:

1 set DWS-FCK mounting set for 2 columns

Needed tools:

Level

Drill

Wrenches

Stairs or scaffolding

Standard screwdriver set

In general:

Use correct and safe mounting materials for a proper installation.



1.

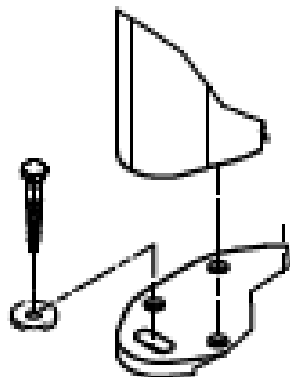
The DWS-FCK is an accessories package to help install a system, that is normally suitable for wall mounting, to a ceiling and floor mounting application.

The set contains out of 2 floor plates and 2 telescopic adjustable ceiling plates. The floor plates must be installed to the bottom of the columns, the telescopic set's need to be installed at the top of the columns.

When correct; the system is delivered in a taller / longer version than original; please check your product.

Install to the bottom of the columns the 2 floor plates. The bolts that fixates the product to the floor will be covered by the aluminium C-profile.

Detail A



A



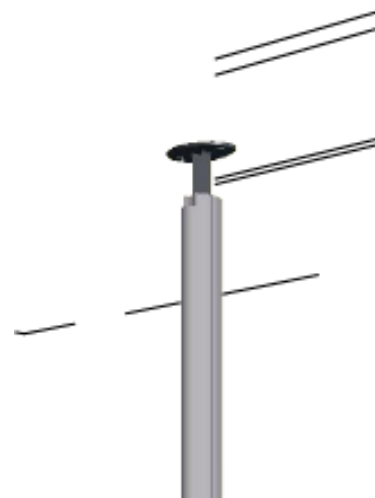
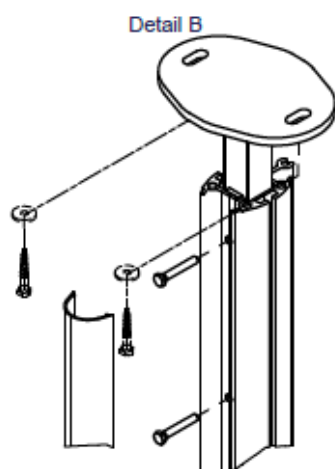
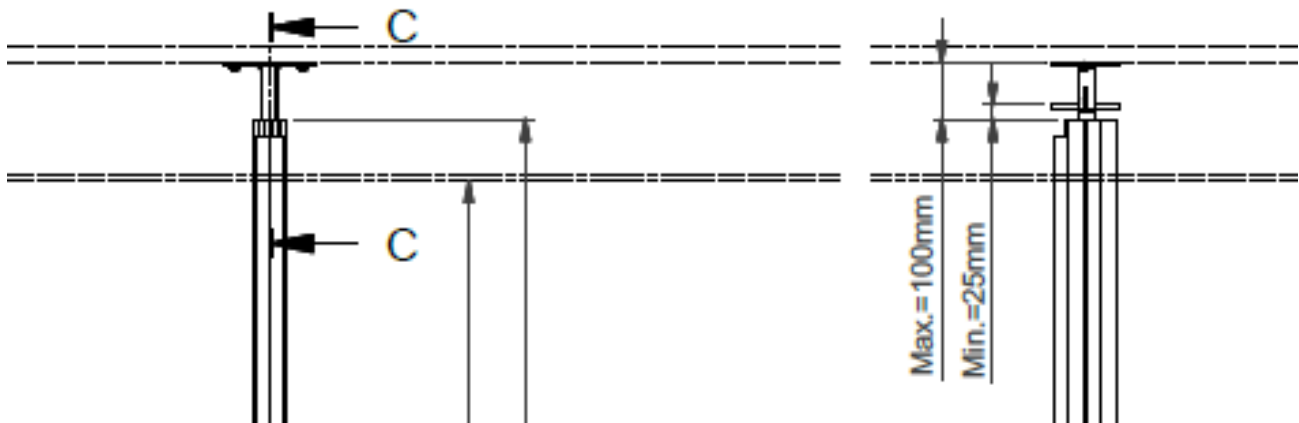
2.

The ceiling plate adjustment can be used to fill out the space between the column(s) and the structural ceiling.

Install (after measuring the total needed length) the telescopic adjustable ceiling plates. Check the holes in the column or drill them at the right spot. It might be possible that the position of the holes or length of the columns must be adapted to the situation.

Before drilling, be sure position and distance of the mounting holes are pre-measured.

Be sure the system is installed free from torsion. If not, this will influence the function of the system in a negative way.



Audipack's general conditions of sales and delivery apply to all of Audipack's deliveries. These conditions can be downloaded from Audipack's website, www.audipack.com, or will be sent by post on request.

Audipack liefert ausschließlich unter die allgemeine Verkauf- und Lieferungsbedingungen von Audipack. Diese Bedingungen sind zum downloaden verfügbar auf die Webseite von Audipack, www.audipack.com, oder werden Ihnen auf Anfrage per Post gesendet.

Alle leveringen geschieden uitsluitend volgens de Algemene Verkoop- en Leveringsvoorwaarden van Audipack. Een afschrift hiervan kunt u downloaden van de website van Audipack, www.audipack.com, of wordt u op aanvraag gestuurd per post.

Les conditions de vente et de livraison de Audipack s'appliquent à tous les livraisons de Audipack. Cette conditions sont disponible sur le site internet de Audipack, www.audipack.com, où seront envoyé par poste sur demande.

AUDIPACK

Industriestraat 2-4
2751 GT Moerkapelle
the Netherlands

Tel: +31(0)795931671
Fax: +31(0)795933115
Email: audipack@audipack.com

www.audipack.com

Audipack reserves the right to make changes in specifications and other information contained in this document without prior written notice. The information provided herein is subject to change without notice. In no event shall Audipack be liable for any incidental, special, indirect, or consequential damages whatsoever, including but not limited to lost profits, arising out of or related to this manual or the information contained herein, even if Audipack has been advised of, known, or should have known, the possibility of such damages.